

# SUMMIT®



## GAS GRILL

### Natural Gas Grill Owner's Guide

**ESNA** Guía del Propietario del Asador de Gas Licuado de Propano - Pg. 37

**FC** Guide de L'Utilisateur du Grill à Gaz PL - Pg. 73

470

#56209



**YOU MUST READ THIS OWNER'S GUIDE BEFORE OPERATING YOUR GAS GRILL.**

**⚠ DANGER**

If you smell gas:

1. Shut off gas to the appliance.
2. Extinguish any open flames.
3. Open lid.
4. If odor continues, keep away from the appliance and immediately call your gas supplier or your fire department.

Leaking gas may cause a fire or explosion which can cause serious bodily injury or death, or damage to property.

**⚠ WARNING:**

1. Do not store or use gasoline or other flammable liquids or vapors in the vicinity of this or any other appliance.
2. An LP cylinder not connected for use shall not be stored in the vicinity of this or any other appliance.

**⚠ WARNING:** Follow all leak-check procedures carefully in this manual prior to barbecue operation. Do this even if the barbecue was dealer-assembled.

**NOTICE TO INSTALLER:** These instructions must be left with the owner and the owner should keep them for future use.

**THIS GAS APPLIANCE IS DESIGNED FOR OUTDOOR USE ONLY.**

**⚠ WARNING:** Do not try to light this appliance without reading the "MAIN BURNER IGNITION" section of this manual.



56209 02/01/10 NG  
US - ENGLISH

# WARNINGS

## ⚠ DANGER

Failure to follow the Dangers, Warnings and Cautions contained in this Owner's Manual may result in serious bodily injury or death, or in a fire or an explosion causing damage to property.

## ⚠ WARNINGS

- ⚠ Do not store a spare or disconnected liquid propane cylinder under or near this barbecue.
- ⚠ Improper assembly may be dangerous. Please follow the assembly instructions carefully.
- ⚠ After a period of storage, and/or nonuse, the Weber® gas barbecue should be checked for gas leaks and burner obstructions before use. See instructions in this manual for correct procedures.
- ⚠ Do not operate the Weber® gas barbecue if there is a gas leak present.
- ⚠ Do not use a flame to check for gas leaks.
- ⚠ Combustible materials should never be within 24 inches (61 cm) of the back or sides of your Weber® gas barbecue.
- ⚠ Do not put a barbecue cover or anything flammable on, or in the storage area under the barbecue.
- ⚠ Your Weber® gas barbecue should never be used by children. Accessible parts of the barbecue may be very hot. Keep young children away while it is in use.
- ⚠ You should exercise reasonable care when operating your Weber® gas barbecue. It will be hot during cooking or cleaning and should never be left unattended, or moved while in operation.
- ⚠ Should the burners go out while in operation, turn all gas valves off. Open the lid and wait five minutes before attempting to relight, using the lighting instructions.
- ⚠ Do not use charcoal or lava rock in your Weber® gas barbecue.
- ⚠ Never lean over open grill or place hands or fingers on the front edge of the cooking box.
- ⚠ Should a grease fire occur, turn off all burners and leave lid closed until fire is out.
- ⚠ Do not enlarge valve orifices or burner ports when cleaning the valves or burners.
- ⚠ The Weber® gas barbecue should be thoroughly cleaned on a regular basis.
- ⚠ Liquid propane gas is not natural gas. The conversion or attempted use of natural gas in a liquid propane unit or liquid propane gas in a natural gas unit is dangerous and will void your warranty.
- ⚠ Do not attempt to disconnect any gas fitting while your barbecue is in operation.
- ⚠ Use heat-resistant barbecue mitts or gloves when operating barbecue.
- ⚠ Keep any electrical supply cord and the fuel supply hose away from any heated surfaces.
- ⚠ Combustion byproducts produced when using this product contain chemicals known to the state of California to cause cancer, birth defects, or other reproductive harm.
- ⚠ Do not use this barbecue unless all parts are in place. The unit must be properly assembled according to the assembly instructions.
- ⚠ Do not build this model of grill in any built-in or slide in construction. Ignoring this Warning could cause a fire or an explosion that can damage property and cause serious bodily injury or death.
- ⚠ Proposition 65 Warning: Handling the brass material on this product exposes you to lead, a chemical known to the state of California to cause cancer, birth defects or other reproductive harm.  
(Wash hands after handling this product.)

### LIQUID PROPANE GAS UNITS ONLY:

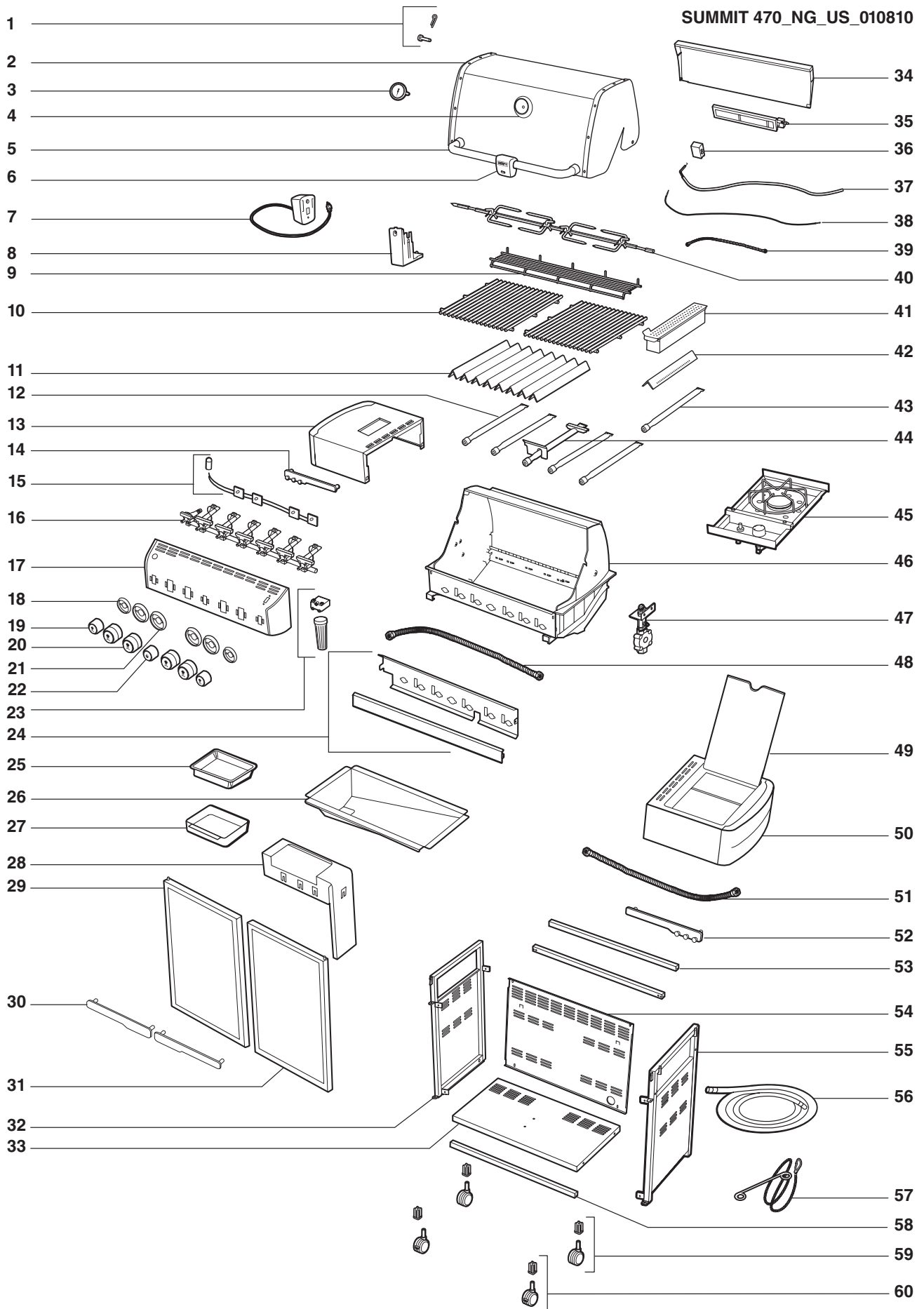
- ⚠ Use the pressure regulator and hose assembly that is supplied with your Weber® gas barbecue.
- ⚠ Do not attempt to disconnect the gas regulator and hose assembly or any gas fitting while your barbecue is in operation.
- ⚠ A dented or rusty liquid propane cylinder may be hazardous and should be checked by your liquid propane supplier. Do not use a liquid propane cylinder with a damaged valve.
- ⚠ Although your liquid propane cylinder may appear to be empty, gas may still be present, and the cylinder should be transported and stored accordingly.
- ⚠ If you see, smell or hear the hiss of escaping gas from the liquid propane cylinder:
  1. Move away from liquid propane cylinder.
  2. Do not attempt to correct the problem yourself.
  3. Call your fire department.

# TABLE OF CONTENTS

<b>WARNINGS</b> .....	<b>2</b>	<b>SEAR STATION® IGNITION &amp; USAGE</b> .....	<b>21</b>
<b>TABLE OF CONTENTS</b> .....	<b>3</b>	SEAR STATION® BURNER IGNITION.....	21
<b>EXPLODED VIEW</b> .....	<b>4</b>	TO EXTINGUISH.....	21
<b>EXPLODED VIEW LIST</b> .....	<b>5</b>	SEAR STATION® BURNER MANUAL IGNITION.....	22
<b>WARRANTY</b> .....	<b>6</b>	TO EXTINGUISH.....	22
<b>GENERAL INSTRUCTIONS</b> .....	<b>7</b>	USING THE SEAR STATION®.....	22
CANADIAN INSTALLATION.....	7	<b>SMOKER BURNER IGNITION &amp; USAGE</b> .....	<b>23</b>
STORAGE.....	7	SMOKER BURNER IGNITION.....	23
OPERATING.....	7	TO EXTINGUISH.....	23
GAS SUPPLY TESTING.....	7	SMOKER BURNER MANUAL IGNITION.....	24
<b>GAS INSTRUCTIONS</b> .....	<b>8</b>	TO EXTINGUISH.....	24
INSTALL GAS SUPPLY.....	8	USING THE SMOKER.....	25
TYPE OF GAS.....	9	CLEANING THE SMOKER.....	25
WHAT IS NATURAL GAS?.....	9	<b>ROTISSERIE BURNER IGNITION &amp; USAGE</b> .....	<b>26</b>
PORTABLE INSTALLATION.....	9	ROTISSERIE BURNER IGNITION.....	26
LEAK CHECK PREPARATION.....	10	TO EXTINGUISH.....	26
CHECK THE FLEXIBLE HOSE TO MANIFOLD CONNECTION.....	11	ROTISSERIE BURNER MANUAL IGNITION.....	27
CHECK FOR GAS LEAKS.....	11	TO EXTINGUISH.....	27
<b>LIGHT FEATURES</b> .....	<b>13</b>	BEFORE USING YOUR ROTISSERIE.....	28
WEBER® GRILL OUT™ HANDLE LIGHT.....	13	OPERATING THE ROTISSERIE.....	28
LIGHTED CONTROL KNOBS.....	13	ROTISSERIE COOKING.....	29
<b>BEFORE USING YOUR GRILL</b> .....	<b>13</b>	ROTISSERIE MOTOR STORAGE.....	29
SLIDE OUT GREASE TRAY AND DISPOSABLE DRIP PAN.....	13	ROTISSERIE SPIT STORAGE.....	29
<b>SNAP IGNITION OPERATION</b> .....	<b>14</b>	<b>TROUBLESHOOTING</b> .....	<b>30</b>
<b>MAIN BURNER IGNITION &amp; USAGE</b> .....	<b>15</b>	<b>SIDE BURNER TROUBLESHOOTING</b> .....	<b>30</b>
MAIN BURNER IGNITION.....	15	<b>SEAR STATION® TROUBLESHOOTING</b> .....	<b>31</b>
TO EXTINGUISH.....	15	<b>ROTISSERIE TROUBLESHOOTING</b> .....	<b>31</b>
MAIN BURNER MANUAL IGNITION.....	16	<b>GRILL OUT™ HANDLE LIGHT TROUBLESHOOTING</b> .....	<b>31</b>
TO EXTINGUISH.....	16	<b>MAINTENANCE</b> .....	<b>32</b>
<b>GRILLING TIPS &amp; HELPFUL HINTS</b> .....	<b>17</b>	CLEANING.....	32
<b>COOKING METHODS</b> .....	<b>18</b>	WEBER® SPIDER/INSECT SCREENS.....	32
DIRECT COOKING.....	18	MAIN BURNER CLEANING.....	32
INDIRECT COOKING.....	18	REPLACING MAIN BURNERS.....	33
<b>SIDE BURNER IGNITION &amp; USAGE</b> .....	<b>19</b>	SIDE BURNER MAINTENANCE.....	34
SIDE BURNER IGNITION.....	19	ANNUAL MAINTENANCE.....	35
SIDE BURNER MANUAL IGNITION.....	20		

# EXPLODED VIEW

SUMMIT 470\_NG\_US\_010810





## EXPLODED VIEW LIST

1. Shroud Hardware	21. Large Knob Bezel	41. Smoker Box
2. Shroud	22. Sear Station® Knob	42. Smoker Bar
3. Thermometer	23. Battery Housing	43. Smoker Burner
4. Thermometer Bezel	24. Water Baffle / Heat Shield	44. Sear Station® Burner
5. Handle	25. Disposable Drip Pan	45. Side Burner
6. Grill Out™ Handle Light	26. Slide Out Grease Tray	46. Cookbox
7. Rotisserie Motor	27. Catch Pan	47. Bulkhead
8. Rotisserie Bracket	28. Catch Pan Holder	48. Manifold Hose
9. Warming Rack	29. Left Door	49. Side Burner Lid
10. Cooking Grates	30. Door Handles	50. Side Burner Table
11. Flavorizer® Bars	31. Right Door	51. Side Burner Hose
12. Burner Tubes	32. Left Frame Panel	52. Right Tool Holder
13. Side Table	33. Bottom Panel	53. Frame Support
14. Left Tool Holder	34. IR Burner Cover	54. Back Panel
15. Control Panel Wiring Harness	35. Infrared Burner	55. Right Frame Panel
16. Manifold	36. IR Burner Box	56. Natural Gas Hose
17. Control Panel	37. IR Burner Igniter Wire	57. Matchstick Holder
18. Small Knob Bezel	38. Thermocouple	58. Front Frame Support
19. Small Knob	39. IR Burner Hose	59. Caster
20. Large Knob	40. Rotisserie Spit Assembly	60. Locking Caster

# WARRANTY

Weber-Stephen Products Co. (Weber) hereby warrants to the ORIGINAL PURCHASER of this Weber® gas grill that it will be free of defects in material and workmanship from the date of purchase as follows:

Aluminum castings,	25-years (2 years on paint; excludes fading)
Stainless steel shroud,	25-years
Porcelain-enameled shroud,	25-years
Stainless steel burners tubes,	10-years
Stainless steel cooking grates,	5-years no rust through or burn through
Stainless steel Flavorizer® bars,	5-years no rust through or burn through
Porcelain-enameled cast-iron cooking grates,	5-year no rust through or burn through
Porcelain-enameled cooking grates,	3-years no rust through or burn through
Porcelain-enameled Flavorizer® bars,	2-years no rust through or burn through
Infrared rotisserie burner,	2-years
All remaining parts,	2-years

when assembled and operated in accordance with the printed instructions accompanying it. Weber may require reasonable proof of your date of purchase. THEREFORE, YOU SHOULD RETAIN YOUR SALES SLIP OR INVOICE.

This Limited Warranty shall be limited to the repair or replacement of parts that prove defective under normal use and service and which on examination shall indicate, to Weber's satisfaction, they are defective. Before returning any parts, contact the Customer Service Representative in your area using the contact information on our website. If Weber confirms the defect and approves the claim, Weber will elect to replace such parts without charge. If you are required to return defective parts, transportation charges must be prepaid. Weber will return parts to the purchaser, freight or postage prepaid.

This Limited Warranty does not cover any failures or operating difficulties due to accident, abuse, misuse, alteration, misapplication, vandalism, improper installation or improper maintenance or service, or failure to perform normal and routine maintenance, including but not limited to damage caused by insects within the burner tubes, as set out in this owner's manual.

Deterioration or damage due to severe weather conditions such as hail, hurricanes, earthquakes or tornadoes, discoloration due to exposure to chemicals either directly or in the atmosphere, is not covered by this Limited Warranty.

There are no other express warrants except as set forth herein and any applicable implied warranties of merchantability and fitness are limited in duration to the period of coverage of this express written Limited Warranty. Some regions do not allow limitation on how long an implied warranty lasts, so this limitation may not apply to you.

Weber is not liable for any special, indirect or consequential damages. Some regions do not allow the exclusion or limitation of incidental or consequential damages, so this limitation or exclusion may not apply to you.

Weber does not authorize any person or company to assume for it any other obligation or liability in connection with the sale, installation, use, removal, return, or replacement of its equipment; and no such representations are binding on Weber.

This Warranty applies only to products sold at retail.

**WEBER-STEPHEN PRODUCTS CO.**  
**Customer Service Center**  
**1890 Roselle Road, Suite 308**  
**Schaumburg, IL 60195**  
**USA**

**For replacement parts call:**  
**1-800-446-1071**

**Visit [www.weber.com](http://www.weber.com)®, select your country of origin, and register your grill today.**

# GENERAL INSTRUCTIONS

Your Weber® gas barbecue is a portable outdoor cooking appliance. With the Weber® gas barbecue you can grill, barbecue, roast and bake with results that are difficult to duplicate with indoor kitchen appliances. The closed lid and Flavorizer® bars produce that “outdoor” flavor in the food.

The Weber® gas barbecue is portable so you can easily change its location in your yard or on your patio. Portability means you can take your Weber® gas barbecue with you if you move.

The natural gas supply is easy to use and gives you more cooking control than charcoal fuel.

- These instructions will give you the minimum requirements for assembling your Weber® gas barbecue. Please read the instructions carefully before using your Weber® gas barbecue. Improper assembly can be dangerous.
- Not for use by children.
- If there are local codes that apply to portable gas grills, you will have to conform to them. Installation must conform with local codes or, in the absence of local codes, with either the National Fuel Gas Code, ANSI Z223.1/NFPA 54, Natural Gas and Propane Installation Code, CSA B149.1, or Propane Storage and Handling Code, B149.2, or the Standard for Recreational Vehicles, ANSI A 119.2/NFPA 1192, and CSA Z240 RV Series, Recreational Vehicle Code, as applicable.
- This Weber® gas barbecue is designed for natural (piped in city) gas only. Do not use liquid propane (LP) bottled gas. The valves, orifices and hose are for natural gas only.
- Do not use with charcoal fuel.
- Check that the area under the control panel and the bottom tray are free from debris that might obstruct the flow of combustion or ventilation air. ♦

## CANADIAN INSTALLATION

These instructions, while generally acceptable, do not necessarily comply with the Canadian Installation codes, particularly with piping above and below ground. In Canada the installation of this appliance must comply with local codes and/or Standards CAN/CGA-B149.1 (Installation Code for Natural Gas Burning Appliances and Equipment). ♦

## STORAGE

- The gas must be turned off at the natural gas supply when the Weber® gas barbecue is not in use.
- When the Weber® gas barbecue is stored indoors, the gas supply must be disconnected.
- The Weber® gas barbecue should be checked for gas leaks and any obstructions in the burner tubes before using. (See Section: “MAINTENANCE/ANNUAL MAINTENANCE”).
- Check that the areas under the control panel and the slide out bottom tray are free from debris that might obstruct the flow of combustion or ventilation air.
- The Spider /Insect Screens should also be checked for any obstructions. (See Section: “MAINTENANCE/ANNUAL MAINTENANCE”). ♦

## OPERATING

- ⚠ **WARNING: Only use this barbecue outdoors in a well-ventilated area. Do not use in a garage, building, breezeway or any other enclosed area.**
- ⚠ **WARNING: Your Weber® gas barbecue shall not be used under overhead combustible construction.**
- ⚠ **WARNING: Your Weber® gas barbecue is not intended to be installed in or on recreational vehicles and/or boats.**
- ⚠ **WARNING: Do not use the barbecue within 24 inches of combustible materials. This includes the top, bottom, back or sides of the grill.**
- ⚠ **WARNING: The entire cooking box gets hot when in use. Do not leave unattended.**
- ⚠ **WARNING: Keep any electrical supply cord and the fuel supply hose away from any heated surface.**
- ⚠ **WARNING: Keep the cooking area clear of flammable vapors and liquids, such as gasoline, alcohol, etc., and combustible materials.** ♦

## GAS SUPPLY TESTING

- Disconnect your Weber® gas barbecue when the gas supply is being tested at high pressures. This appliance and its individual shutoff valve must be disconnected from the gas supply piping system during any pressure testing of that system at test pressures in excess of 1/2 psig (3.5 kPa).
- Turn off your Weber® gas barbecue when the gas supply is being tested at low pressures. This appliance must be isolated from the gas supply piping system by closing its individual manual shutoff valve during any pressure testing of the gas supply piping system at the pressure equal to or less than 1/2 psig (3.5 kPa). ♦

# GAS INSTRUCTIONS

## INSTALL GAS SUPPLY

### General Specifications for Piping

**Note: Contact your local municipality for building codes regulating outdoor gas barbecue installations. In absence of Local Codes, you must conform to the latest edition of the National Fuel Gas Code: ANSI Z 223.1/NFPA 54, or CAN/CGA-B149.1, Natural Gas and Propane Installation Code. WE RECOMMEND THAT THIS INSTALLATION BE DONE BY A PROFESSIONAL.**

Some of the following are general requirements taken from the latest edition of the National Fuel Gas Code: ANSI Z 223.1/NFPA 54, or CAN/CGA-B149.1, Natural Gas and Propane Installation Code for complete specifications.

- This barbecue is designed to operate at 4.5 inches of water column pressure (.163 psi).
- A manual shut-off valve must be installed outdoors, immediately ahead of the quick disconnect.
- An additional manual shut-off valve indoors should be installed in the branch fuel line in an accessible location near the supply line.
- The quick disconnect connects to a 1/2 inch NPT thread from the gas source. The quick disconnect fitting is a hand-operated device that automatically shuts off the flow of gas from the source when the barbecue is disconnected.
- The quick disconnect fitting can be installed horizontally, or pointing downward. Installing the fitting with the open end pointing upward can result in collecting water and debris.
- The dust covers (supplied plastic plugs) help keep the open ends of the quick disconnect fitting clean while disconnected.
- Pipe compound should be used which is resistant to the action of natural gas when connections are made.
- The outdoor connector must be firmly attached to rigid, permanent construction.

**⚠ WARNING: Do not route the 10 foot hose under a deck. The hose must be visible.**

### Gas Line Piping

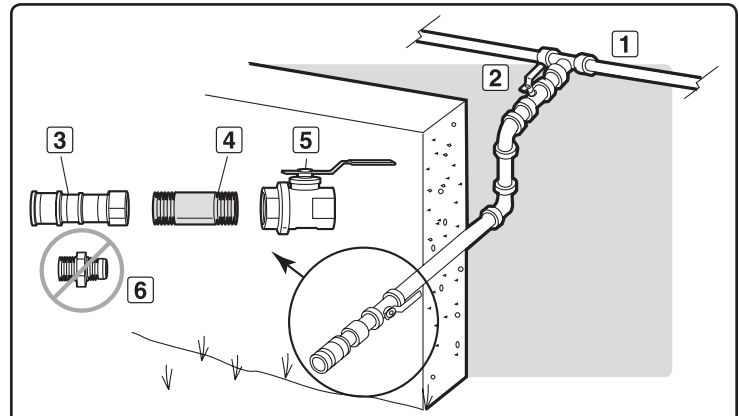
- If the length of the line required does not exceed 50 feet, use a 5/8" O.D. tube. One size larger should be used for lengths greater than 50 feet.
- Gas piping may be copper tubing, type K or L; polyethylene plastic tube, with a minimum wall thickness of .062 inch; or standard weight (schedule 40) steel or wrought iron pipe.
- Copper tubing must be tin-lined if the gas contains more than 0.3 grams of hydrogen sulfide per 100 cubic feet of gas.
- Plastic tubing is suitable only for outdoor, underground use.
- Gas piping in contact with earth, or any other material which may corrode the piping, must be protected against corrosion in an approved manner.
- Underground piping must have a minimum of 18" cover.

### Test Connections

All connections and joints must be thoroughly tested for leaks in accordance with local codes and all listed procedures in the latest edition of the National Fuel Gas Code: ANSI Z 223.1/NFPA 54, or CAN/CGA-B149.1

### ⚠ DANGER

**Do not use an open flame to check for gas leaks. Be sure there are no sparks or open flames in the area while you check for gas leaks. This will result in a fire or explosion which can cause serious bodily injury or death and damage to property. ♦**



**This is a typical installation of a Weber® natural gas barbecue. Local codes may require different installations.**

#### INSIDE WALL

1	Gas Supply	2	Shut off
---	------------	---	----------

#### OUTSIDE WALL

3	Quick-Disconnect	4	1/2" Pipe Nipple
5	Locking Shut Off	6	Do Not Use

# GAS INSTRUCTIONS

## TYPE OF GAS

Your natural gas grill is factory built to operate using natural gas only. Never attempt to operate your grill on gases other than the type specified on the grill rating plates.

Your grill operates at 4.5" of water column pressure. If replacement of the hose becomes necessary, factory specified parts are required. See your local dealer.

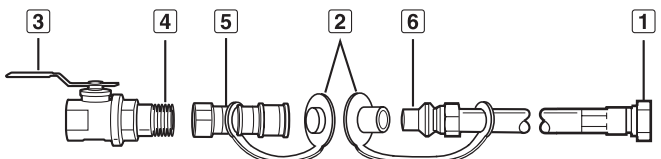
For safety and design reasons, the conversion of a Weber® grill from operation using Natural gas to operation using LP gas requires the change out of the entire gas supply system of the grill. If this becomes necessary, see your dealer for additional information. ♦

## WHAT IS NATURAL GAS?

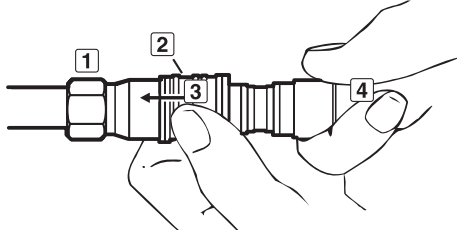
Natural gas, often called methane, is a safe modern fuel. Natural gas is supplied by your local utility and should be readily available if your house is already heated with gas. ♦

## PORTABLE INSTALLATION

Weber® recommends moving the grill at least two feet from the gas supply and any combustible surfaces. After the gas supply has been run and checked for leaks in accordance to the assembly instructions, you are ready to grill. To connect the hose to the gas supply, pull back the outer fitting, insert the hose fitting all of the way, and release the outer fitting. This process will produce a gas joint. ♦



1	Swivel Connection
2	Install covers when hose is disconnected
3	Shut Off Valve
4	Coat this pipe nipple with gas resistant pipe dope
5	Socket
6	Male Connection

1	Socket
2	Sleeve
3	Push Sleeve Back
4	Plug

Push plug until sleeve snaps forward locking plug in socket.  
(This turns on gas automatically.)

When properly assembled the plug cannot  
be removed without pushing the sleeve back.

To disconnect, push sleeve back and pull out plug.  
(This automatically shuts off gas.)

# GAS INSTRUCTIONS

## LEAK CHECK PREPARATION

### Check That All Burner Valves Are Off

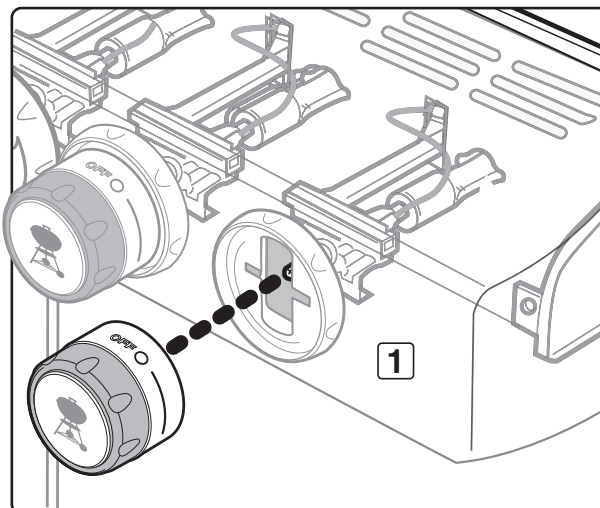
Valves are shipped in the OFF position, but you should check to be sure that they are turned off. Check by pushing in and turning clockwise. If they do not turn, they are off. If they do turn continue turning them clockwise until they stop, then they are off.

**⚠ WARNING: The gas connections of your Summit® gas grill have been factory tested. We do however recommend that you leak check all gas connections before operating your Summit® gas grill.**

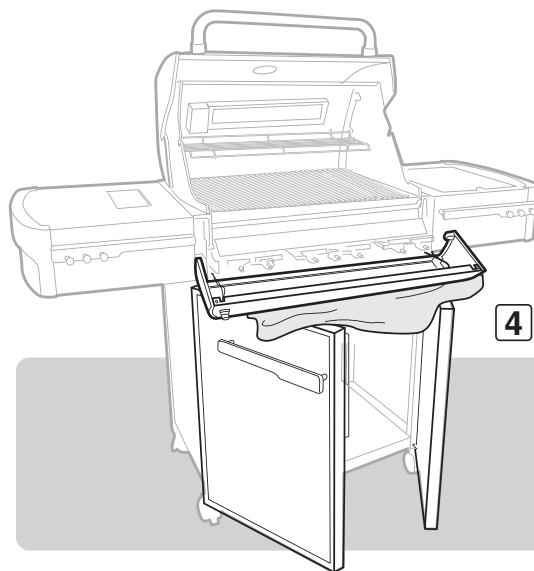
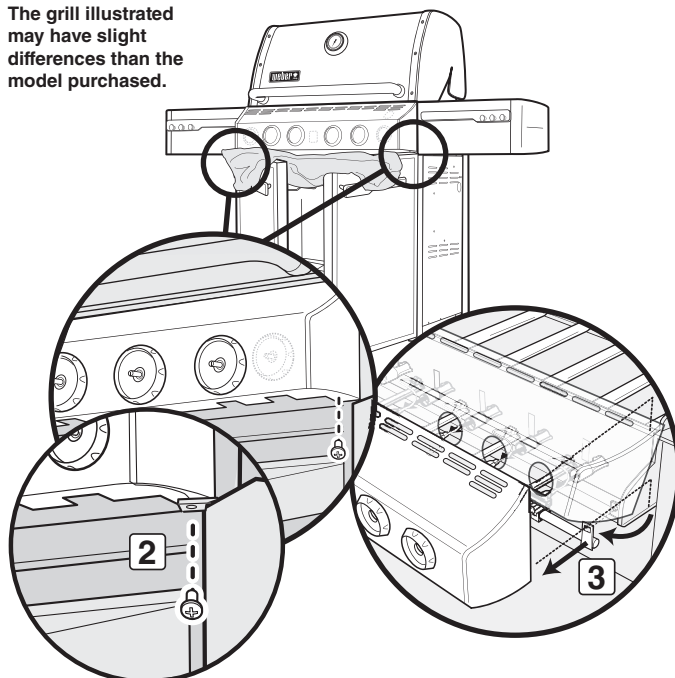
### Remove Control Panel

Parts required: Phillips screwdriver and a towel.

- A) Remove the burner control knobs (1).
- B) Open both doors and place a towel on top of the doors. This will protect the control panel and tops of the doors from getting scratched on the next step.
- C) Remove the screws from the underside of the control panel with a Phillips screwdriver (2).
- D) Tilt the control panel forward and lift up and away from the grill (3) (For Summit® models with LED features: Be careful not to break or disconnect the wires for the control panel LED's).
- E) Place the control panel on the towel covering the door assemblies (4). ♦



The grill illustrated may have slight differences than the model purchased.



# GAS INSTRUCTIONS

## CHECK THE FLEXIBLE HOSE TO MANIFOLD CONNECTION

The natural gas hose was attached during the manufacturing process. We do recommend that the hose to gas manifold connection be leak tested, following guidelines in this Owner's Guide, prior to barbecue operation. ♦

## CHECK FOR GAS LEAKS

### ⚠ DANGER

**Do not use an open flame to check for gas leaks. Be sure there are no sparks or open flames in the area while you check for leaks. Sparks or open flames will result in a fire or explosion which can cause serious bodily injury or death and damage to property.**

*Note: All factory-made connections have been thoroughly checked for gas leaks. The burners have been flame-tested. As a safety precaution however, you should recheck all fittings for leaks before using your Weber® gas barbecue. Shipping and handling may loosen or damage a gas fitting.*

**⚠ WARNING: The gas connections of your gas grill have been factory tested. We do however recommend that you leak check all gas connections before operating your gas grill.**

**⚠ WARNING: Perform these leak checks even if your barbecue was dealer or store assembled.**

If your grill has a side burner make sure the side burner is off.

To perform leak checks: Slide back the collar of the quick disconnect (1). Push male fitting of the hose into the quick disconnect, and maintain pressure. Slide the collar closed (2). If it does not engage or lock, repeat procedure. Gas will not flow unless the quick disconnect is properly engaged. Turn on gas supply.

**⚠ WARNING: Do not ignite burners when leak checking.**

You will need: A soap and water solution and a rag or brush to apply it.

- A) Mix soap and water.
- B) Turn on the gas supply.
- C) Check for leaks by wetting the fitting with the soap and water solution and watching for bubbles. If bubbles form, or if a bubble grows, there is a leak.

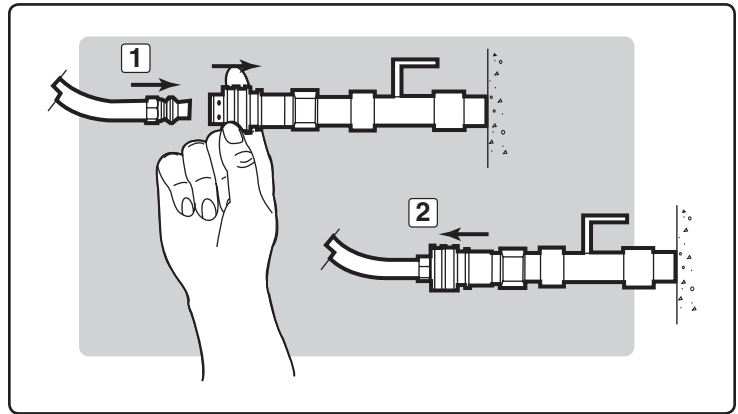
**If there is a leak, turn off the gas and tighten the fitting. Turn the gas back on and recheck with the soap and water solution.**

**If leak does not stop do not use the barbecue. Contact the customer service representative in your area using the contact information on our web site. Log onto [www.weber.com](http://www.weber.com)®.**

- D) When leak checking is complete, turn gas supply off at the source and rinse connections with water.

*Note: Since some leak test solutions, including soap and water, may be slightly corrosive, all connections should be rinsed with water after checking for leaks.*

**⚠ WARNING: You should check for gas leaks every time you disconnect and reconnect a gas fitting.**





# GAS INSTRUCTIONS

## Check:

- A) Main gas line to manifold connection (1).
- B) Rotisserie (I.R. Burner) gas line connection (2).
- C) Bulkhead and gas supply hose connection (3).
- D) Bulkhead to regulator connection (4).
- E) Regulator to hose connection (5).

**⚠ WARNING: If there is a leak at connection (1, 2, 3, 4, or 5), retighten the fitting with a wrench and recheck for leaks with soap and water solution.**

**If a leak persists after re-tightening the fitting, turn off the gas. DO NOT OPERATE THE GRILL. Contact the Customer Service Representative in your area using the contact information on our web site. Log onto [www.weber.com](http://www.weber.com).**

- F) Bulk head to side burner hose connection (6).
- G) Side burner hose to quick disconnect connection, side burner valve and orifice connections (7).
- H) Hose to quick disconnect connection (8).
- I) Valves to manifold connections (9).

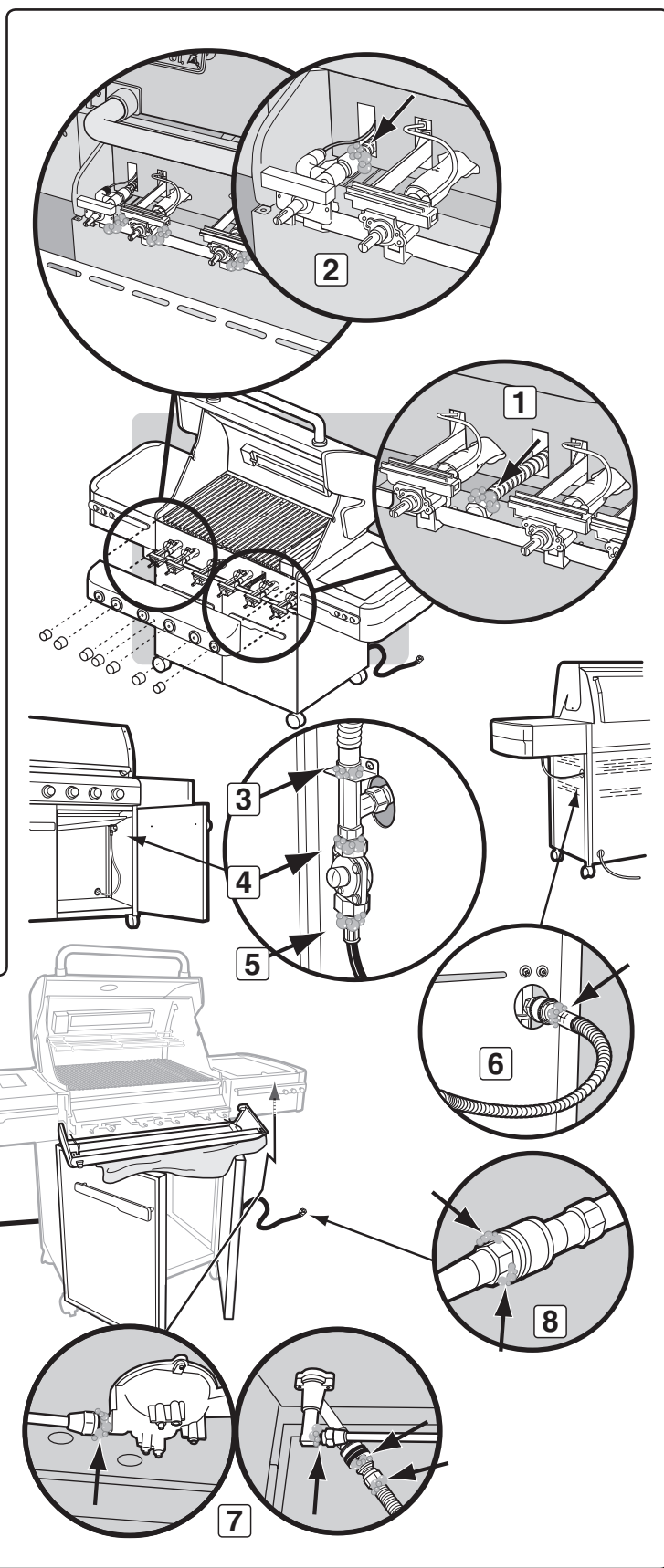
**⚠ WARNING: If there is a leak at connections (6, 7, 8, or 9), turn off the gas. DO NOT OPERATE THE GRILL. Contact the Customer Service Representative in your area using the contact information on our web site. Log onto [www.weber.com](http://www.weber.com).**

When leak checks are complete, turn gas supply off at the source and rinse connections with water.

## Reinstall Control Panel

Parts required: control panel, screws and burner control knobs.

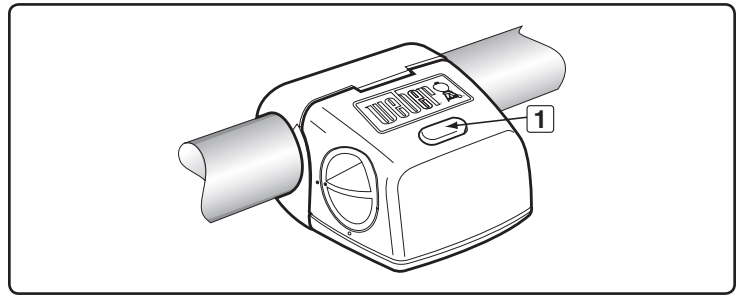
- A) Hook the top edge of the control panel onto the control panel brackets on either side of the front of the cooking box.
- B) Line up screws with screw holes on both the control panel bracket and the frame. Tighten screws.
- C) Place corresponding control knobs onto the valve stems. ♦



## LIGHT FEATURES

### WEBER® GRILL OUT™ HANDLE LIGHT

The Weber Grill Out™ Handle Light has a built-in "Tilt Sensor." With the power button (1) activated, the light will come on when the grill lid is open. The light will turn off when the lid is closed. For daytime use, deactivate the sensor by pressing power button (1). ♦

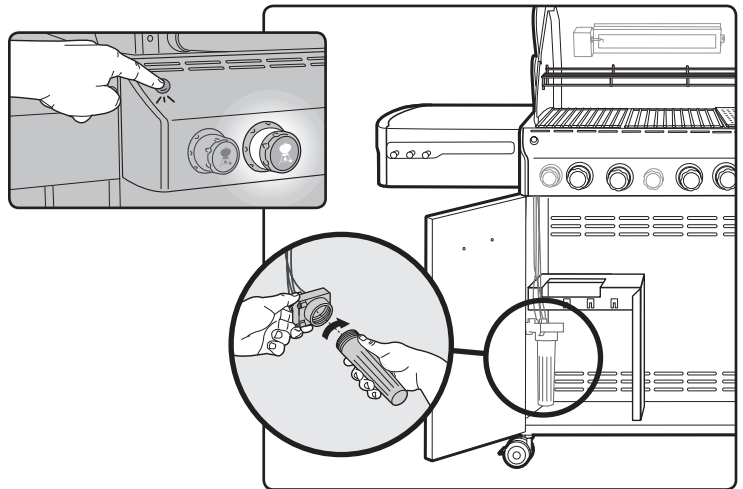


### LIGHTED CONTROL KNOBS

Your gas grill comes with control knobs that light up; allowing you to fine tune heat settings, even in low light conditions.

Requires 3 "D" alkaline batteries. Do not mix old and new batteries or different types of batteries (standard, alkaline or rechargeable). Battery housing is located inside the cabinet on the left side.

To operate, activate power button. ♦



## BEFORE USING YOUR GRILL

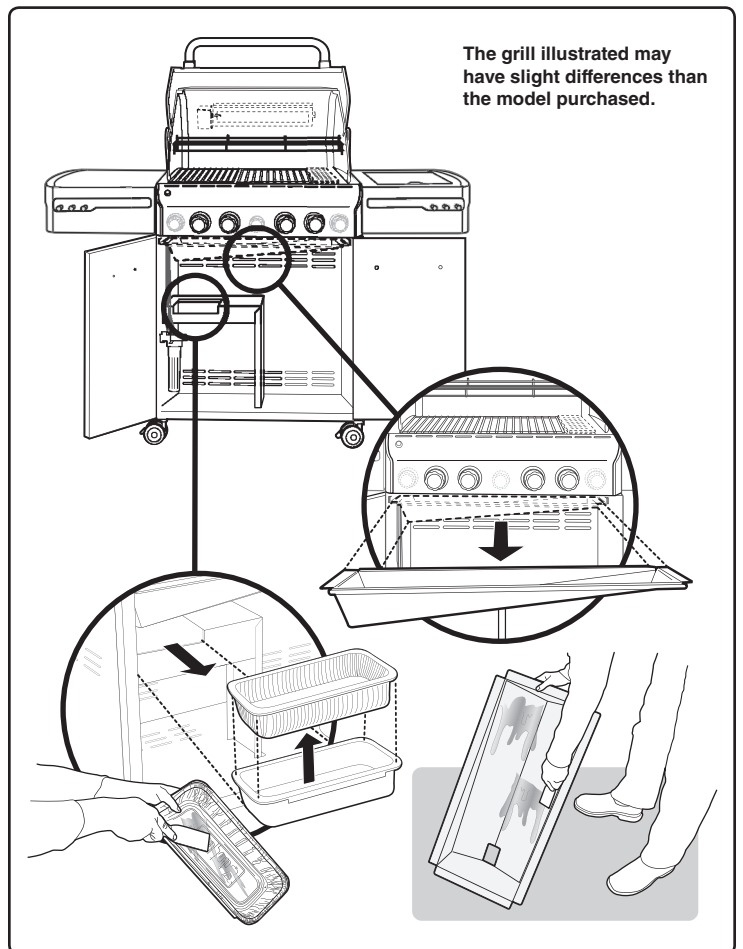
### SLIDE OUT GREASE TRAY AND DISPOSABLE DRIP PAN

Your grill was built with a grease collection system. Check the slide out grease tray and disposable drip pan for grease build-up each time you use your grill.

Remove excess grease with a plastic spatula; see illustration. When necessary, wash the grease tray and drip pan with a soap and water solution, then rinse with clean water. Replace the disposable drip pan as needed.

⚠ **WARNING:** Check the slide out grease tray and disposable drip pan for grease build-up before each use. Remove excess grease to avoid a grease fire. A grease fire can cause serious bodily injury or damage to property.

⚠ **CAUTION:** Do not line the slide out grease tray with aluminum foil. ♦



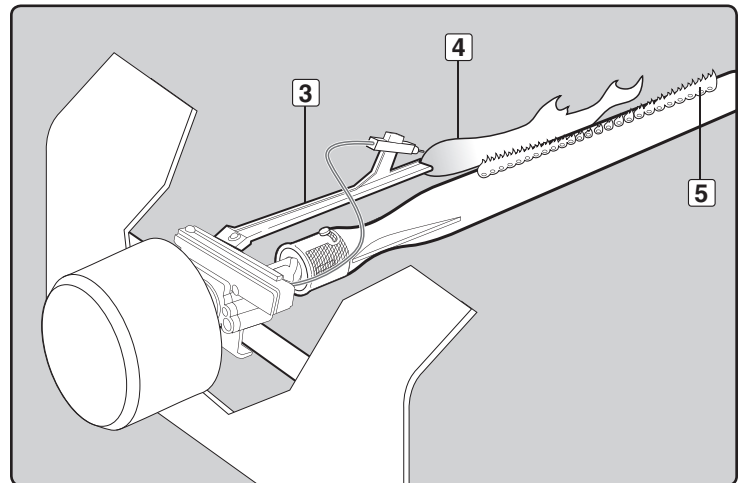
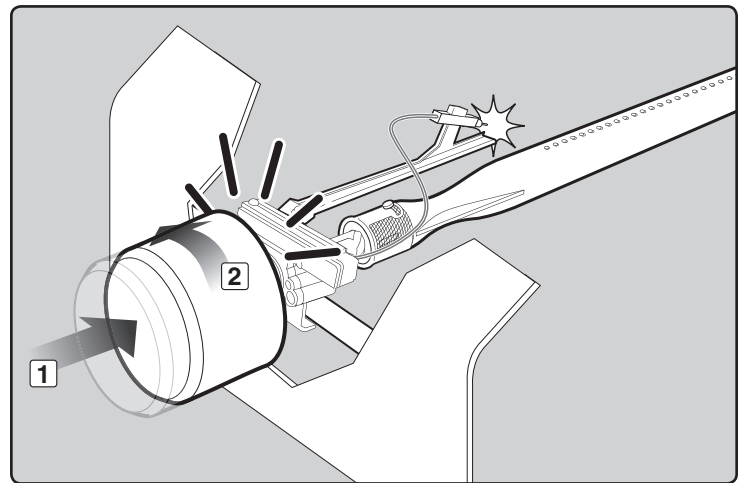
The grill illustrated may have slight differences than the model purchased.

## SNAP IGNITION OPERATION

**⚠ Always open the lid before igniting the burners.**

- A) Each control knob has its own igniter electrode built in. To create a spark you must push the control knob in (1) and turn to START/Hi (2).
- B) This action will generate gas flow and a spark to the burner lighting tube (3). You will hear a “snap” from the igniter. You will also see a 3 - 5 orange flame coming from the burner lighting tube at the left side of the burner (4).
- C) **Continue to hold the burner control knob in for two seconds after the “snap”.** This will allow gas to flow completely down the burner tube (5) and insure ignition.
- D) Check that the burner is lit by looking through the cooking grates. You should see a flame. If burner does not light on first try, push control knob in and turn to OFF. Repeat lighting procedure a second time.

**⚠ WARNING: If the burner still does not light, turn the burner control knob to OFF and wait 5 minutes to let the gas clear before you try again or try to light with a match. ♦**



# MAIN BURNER IGNITION & USAGE

## MAIN BURNER IGNITION

Summary lighting instructions are inside the left hand cabinet door.

### ⚠ DANGER

Failure to open the lid while igniting the barbecue's burners, or not waiting five minutes to allow the gas to clear if the barbecue does not light, may result in an explosive flame-up which can cause serious bodily injury or death.

### Main Burner Snap Ignition

Note: Each control knob snap igniter creates a spark from the igniter electrode to the burner lighting tube. You generate the energy for the spark by pushing in the control knob and turning to START/HI. This will ignite each individual burner.

⚠ **WARNING:** Check hose before each use of barbecue for nicks, cracking, abrasions or cuts. If the hose is found to be damaged in any way, do not use the barbecue. Replace using only Weber® authorized replacement hose. Contact the Customer Service Representative in your area using the contact information on our web site.

Log onto [www.weber.com](http://www.weber.com)®.

- A) Open the lid (1).
- B) Make sure all burner control knobs are turned to OFF (2). (Push control knob in and turn clockwise to ensure that it is in the OFF position.)
- C) Turn on the gas supply at source (3).

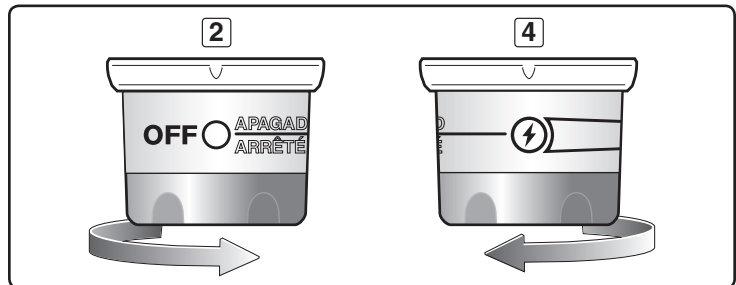
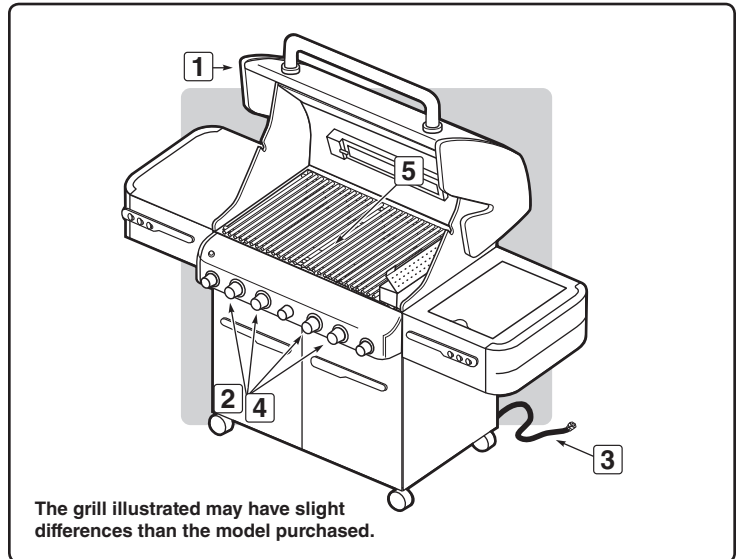
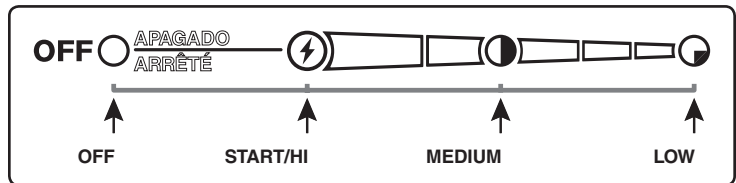
⚠ **WARNING:** Do not lean over the open barbecue.

- D) Push the control knob in and turn to START/HI until you hear the igniter snap, continue to hold control knob in for two seconds (4). This action will spark the igniter, the burner lighting tube and then main burner.
- E) Check that the burner is lit by looking through the cooking grates (5). You should see a flame. If burner does not light on first try, push control knob in and turn to OFF. Repeat lighting procedure a second time.

⚠ **WARNING:** If the burner still does not light, turn the burner control knob to OFF and wait five minutes to let the gas clear before you try again or try to light with a match. ♦

### TO EXTINGUISH

Push in and turn each burner control knob clockwise to OFF position. Turn gas supply off at the source. ♦



# MAIN BURNER IGNITION & USAGE

## MAIN BURNER MANUAL IGNITION

### ⚠ DANGER

Failure to open the lid while igniting the barbecue's burners, or not waiting five minutes to allow the gas to clear if the barbecue does not light, may result in an explosive flare-up which can cause serious bodily injury or death.

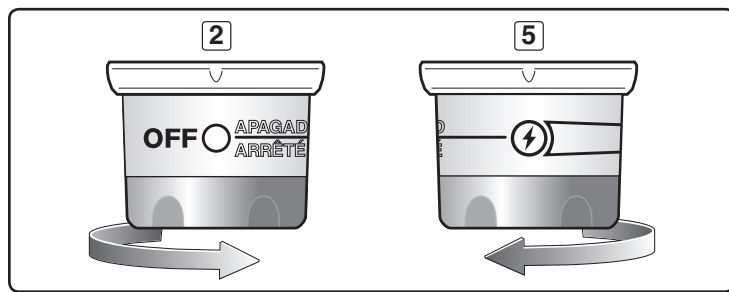
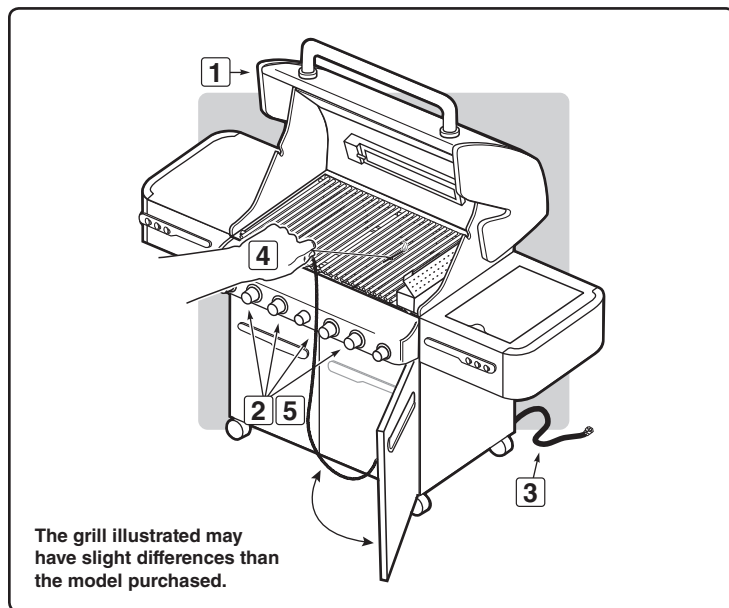
- A) Open the lid (1).
- B) Make sure all burner control knobs are turned to OFF (2). (Push each knob in and turn clockwise to ensure they are in the OFF position.)
- C) Turn on the gas supply at source (3).
- D) Put match in the match holder and strike match.
- E) Insert match holder and lit match down through cooking grates and Flavorizer® bars to ignite the selected burner (4).
- F) Push the control knob in and turn to START/HI (5).

⚠ **WARNING: Do not lean over open barbecue.**

⚠ **WARNING: If the burner does not light, turn burner control knob to OFF and wait 5 minutes to let the gas clear before you try again.** ♦

### TO EXTINGUISH

Push in and turn each burner control knob clockwise to OFF position. Turn gas supply off at the source. ♦

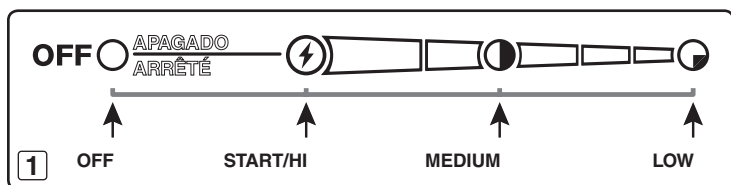


# GRILLING TIPS & HELPFUL HINTS

Note: If grill loses heat while cooking refer to the troubleshooting section of this manual.

**⚠ WARNING: Do not move the Weber® gas barbecue when operating or while barbecue is hot.**

You can adjust the individual burners as desired. The control settings (1) are Start/Hi, Medium, Low, or OFF.



Note: The temperature inside your cooking box for the first few uses, while surfaces are still very reflective, may be hotter than those shown in your cookbook. Cooking conditions, such as wind and weather, may require the adjustment of the burner controls to obtain the correct cooking temperatures.

If burners go out during cooking, turn off all burners and wait 5 minutes before relighting.

**⚠ WARNING: Check the bottom tray and catch pan for grease build-up before each use. Remove excess grease to avoid a grease fire in the bottom tray.**

## Preheating

Your Weber® gas barbecue is an energy-efficient appliance. It operates at an economical low BTU rate. Preheating the grill before grilling is important. Light your grill according to the instructions in this Owner's Manual. To preheat: after lighting turn all burners to START/Hi, close the lid, and heat until the temperature reaches between 500° and 550° F (260° and 290° C), the recommended broiling temperature. This will take 10 to 15 minutes depending on conditions such as air temperature and wind.

## Covered Cooking

All grilling is done with the lid down to provide uniform, evenly circulated heat. With the lid closed, the gas grill cooks much like a convection oven. The thermometer in the lid indicates the cooking temperature inside the grill. All preheating and grilling is done with the lid down. No peeking — heat is lost every time you lift the lid.

## Drippings And Grease

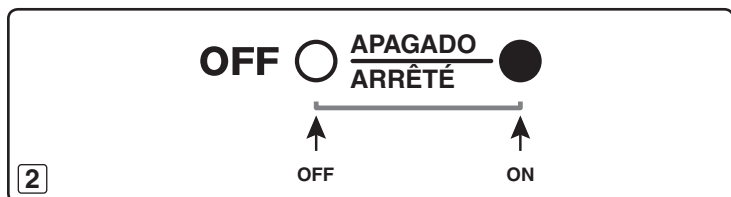
The Flavorizer® bars are designed to “smoke” the correct amount of drippings for flavorful cooking. Excess drippings and grease will accumulate in the catch pan under the slide out bottom tray. Disposable foil drip pans are available that fit the catch pan.

## Flavorizer® System

When meat juices drip from the food onto the specially angled Flavorizer® bars, they create smoke that gives foods an irresistible barbecued flavor. Thanks to the unique design of the burners, Flavorizer® bars and the flexible temperature controls, uncontrolled flare-ups are virtually eliminated, because YOU control the flames. Because of the special design of the Flavorizer® bars and burners, excess fats are directed through the funnel-shaped bottom tray into the grease catch pan.

## Sear Station®

Your Weber® gas barbecue includes a sear burner for searing thin meats and fish. The Sear Station® burner has an on or off control setting (2) that works with the two adjacent main burners. With the sear and adjacent burners you can effectively sear meats while using other cooking areas for cooking with moderate heat (See “SEAR STATION® IGNITION & USAGE” section).



- Always preheat the grill before cooking. Set all burners on HI heat and close lid; heat for 10 minutes, or until thermometer registers 500°-550°F (260°-288°C).
- Sear meats and cook with the lid down for perfectly grilled food every time.
- Grilling times in recipes are based on 70°F (20°C) weather and little or no wind. Allow more cooking time on cold or windy days, or at higher altitudes. Allow less cooking time in extremely hot weather.
- Grilling times can vary because of the weather, or the amount, size and shape of the food being grilled.
- The temperature of your gas grill may run hotter than normal for the first few uses.
- Grilling conditions may require the adjustment of the burner controls to attain the correct cooking temperatures.
- In general, large pieces of meat will require more cooking time per pound than small pieces of meat. Foods on a crowded cooking grate will require more cooking time than just a few foods. Foods grilled in containers, such as baked beans, will require more time if grilled in a deep casserole rather than a shallow baking pan.
- Trim excess fat from steaks, chops and roasts, leaving no more than a scant ¼ inch (6.4mm) of fat. Less fat makes cleanup easier, and is a virtual guarantee against unwanted flare-ups.
- Foods placed on the cooking grate directly above burners may require turning or moving to a less hot area.
- Use tongs rather than a fork for turning and handling meats to avoid losing natural juices. Use two spatulas for handling large whole fish.
- If an unwanted flare-up should occur, turn all burners off and move food to another area of the cooking grate. Any flames will quickly subside. After flames subside, relight the grill. NEVER USE WATER TO EXTINGUISH FLAMES ON A GAS GRILL.
- Some foods, such as a casserole or thin fish fillets, will require a container for grilling. Disposable foil pans are very convenient, but any metal pan with ovenproof handles can also be used.
- Always be sure the bottom tray and grease catch pan are clean and free from debris.
- Do not line the funnel-shaped bottom tray with foil. This could prevent the grease from flowing into the grease catch pan.
- Using a timer will help to alert you when “well-done” is about to become “over-done.” ♦

# COOKING METHODS

The most important thing to know about grilling is which cooking method to use for a specific food, Direct or Indirect. The difference is simple: place the food directly over the fire, or arrange the fire on either side of it. Using the right method is the shortest route to great results—and the best way to ensure doneness safety.

## DIRECT COOKING

The Direct Method, similar to broiling, means the food is cooked directly over the heat source. For even cooking, food should be turned once halfway through the grilling time. Use the Direct method for foods that take less than 25 minutes to cook: steaks, chops, kabobs, sausages, vegetables, and more.

Direct cooking is also necessary to sear meats. Searing creates that wonderful crisp, caramelized texture where the food hits the grate. It also adds great color and flavor to the entire surface. Steaks, chops, chicken breasts, and larger cuts of meat all benefit from searing.

To sear meats, place them over Direct High heat for 2 to 5 minutes per side. Smaller pieces require less searing time. Usually after searing you finish cooking the food at a lower temperature. You can finish cooking fast-cooking foods by the Direct method; use the Indirect method for longer-cooking foods.

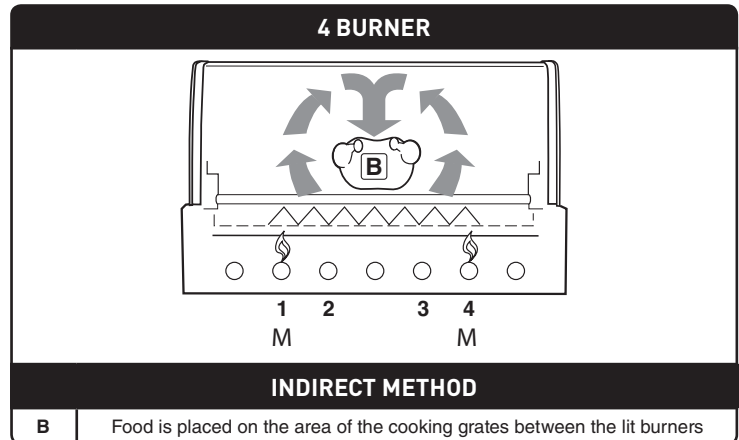
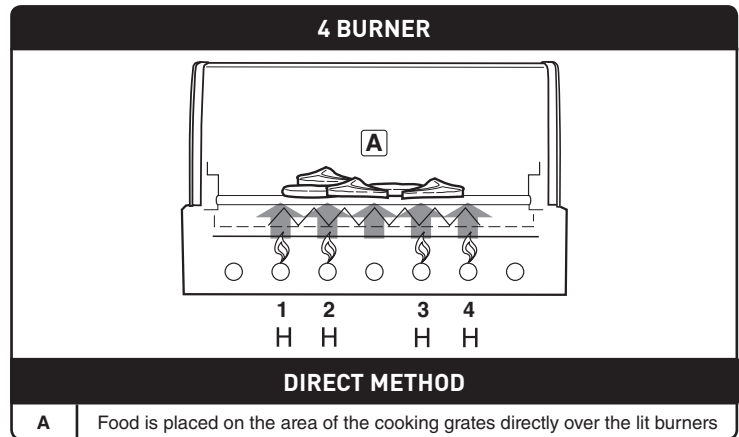
To set up your gas grill for Direct cooking, preheat the grill with all burners on HI. Place food on the cooking grate, and then adjust all burners to the temperature noted in the recipe. Close the lid of the grill and lift it only to turn food or to test for doneness at the end of the recommended cooking time. ♦

## INDIRECT COOKING

The Indirect Method is similar to roasting, but with the added benefits of that grilled texture, flavor, and appearance you can't get from an oven. To set up for Indirect cooking, gas burners are lit on either side of the food but not directly beneath it. Heat rises, reflects off the lid and inside surfaces of the grill, and circulates to slowly cook the food evenly on all sides, much like a convection oven, so there's no need to turn the food.

Use the Indirect method for foods that require 25 minutes or more of grilling time or that are so delicate that direct exposure to the flame would dry them out or scorch them. Examples include roasts, ribs, whole chickens, turkeys, and other large cuts of meat, as well as delicate fish fillets.

To set up your gas grill for Indirect cooking, preheat the grill with all burners on HI. Then adjust the burners on each side of the food to the temperature noted in the recipe and turn off the burner(s) directly below the food. For best results, place roasts, poultry, or large cuts of meat on a roasting rack set inside a disposable heavy-gauge foil pan. For longer cooking times, add water to the foil pan to keep drippings from burning. The drippings can be used to make gravies or sauces. ♦





# SIDE BURNER IGNITION & USAGE

## SIDE BURNER IGNITION

### ⚠ DANGER

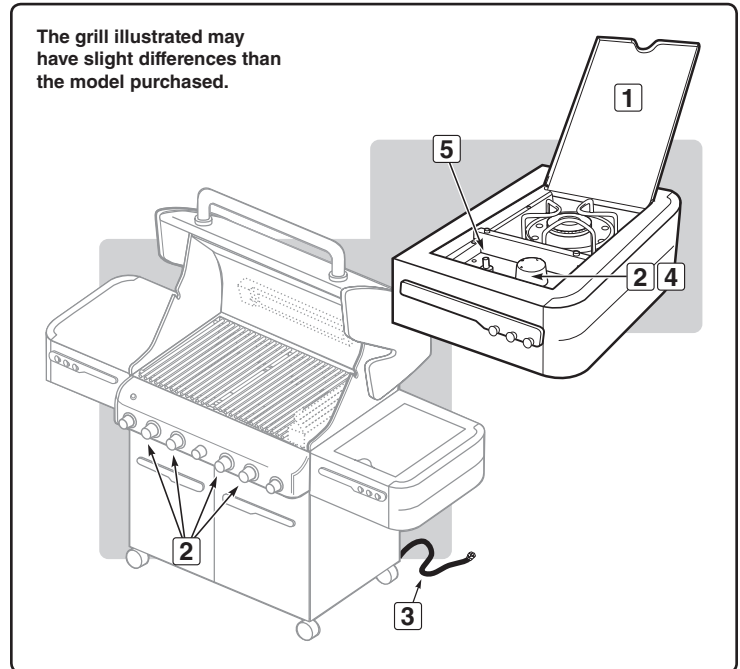
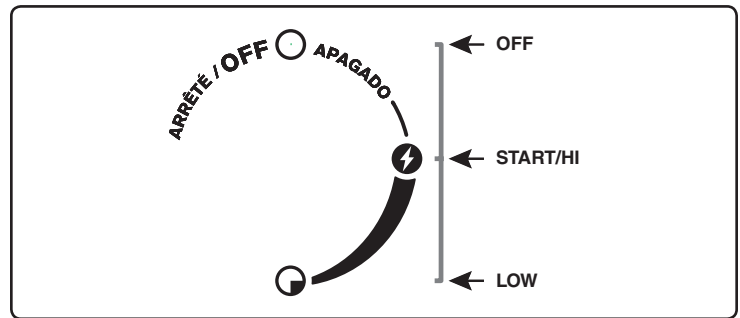
Failure to open the lid while igniting the side burner, or not waiting 5 minutes to allow the gas to clear if the side burner does not light, may result in an explosive flare-up which can cause serious bodily injury or death.

- ⚠ **WARNING:** Check hose before each use of barbecue for nicks, cracking, abrasions or cuts. If the hose is found to be damaged in any way, do not use the barbecue. Replace using only Weber® authorized replacement hose. Contact the Customer Service Representative in your area using the contact information on our web site.  
Log onto [www.weber.com](http://www.weber.com)®.

- A) Open the side burner lid (1).
- B) Check that the side burner valve is turned off (Push control knob in and turn clockwise to ensure that it is in the OFF position), turn all burners not being used to the OFF position (push in and turn clockwise) (2).
- C) Turn the gas supply valve on (3).
- D) Push down and turn the side burner control valve to HI (4).
- E) Press the igniter button several times so it clicks each time until you see a flame (5).

⚠ **CAUTION:** Side burner flame may be difficult to see on a bright sunny day.

- ⚠ **WARNING:** If the side burner does not light in five seconds:
- a) Turn off the side burner control valve, main burners and gas supply at source.
  - b) Wait 5 minutes to let the gas clear before you try again, or try lighting with a match (see "SIDE BURNER MANUAL IGNITION"). ♦



## SIDE BURNER IGNITION & USAGE

### SIDE BURNER MANUAL IGNITION

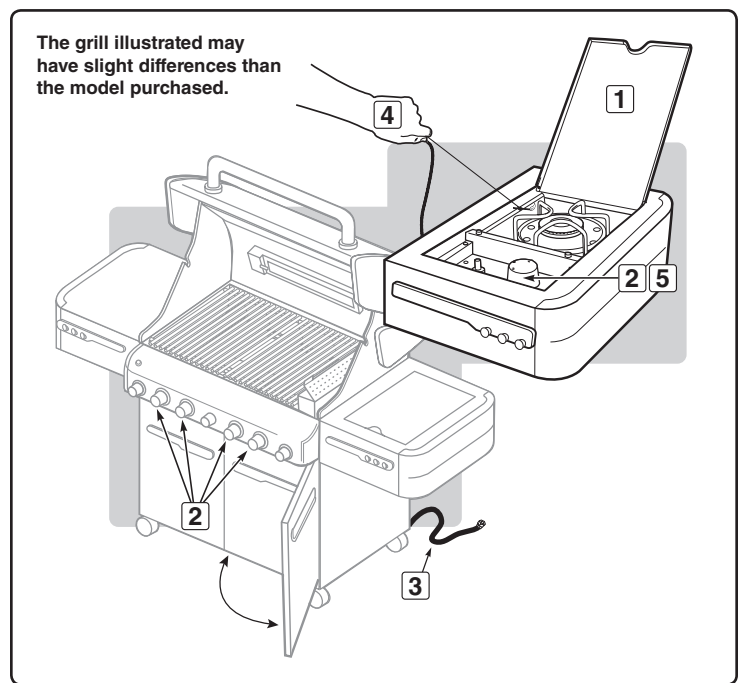
#### ⚠ DANGER

Failure to open the lid while igniting the side burner, or not waiting five minutes to allow the gas to clear if the side burner does not light, may result in an explosive flare-up that can cause serious bodily injury or death.

- A) Open the side burner lid (1).
- B) Check that the side burner valve is turned off (Push control knob in and turn clockwise to ensure that it is in the OFF position), turn all burners not being used to the OFF position (push in and turn clockwise) (2).
- C) Turn the gas supply valve on (3).
- D) Put match in a match holder and strike match.
- E) Hold match holder and lit match by either side of the side burner (4).
- F) Push down and turn the side burner control valve to HI (5).

⚠ **CAUTION:** Side burner flame may be difficult to see on a bright sunny day.

- ⚠ **WARNING:** If the side burner does not light in five seconds:
- a) Turn off the side burner control valve, main burners and gas supply at source.
  - b) Wait five minutes to let the gas clear before you try again. ♦



# SEAR STATION® IGNITION & USAGE

## SEAR STATION® BURNER IGNITION

Summary lighting instructions are inside the left hand cabinet door.

### ⚠ DANGER

Failure to open the lid while igniting the barbecue's burners, or not waiting five minutes to allow the gas to clear if the barbecue does not light, may result in an explosive flame-up which can cause serious bodily injury or death.

The Sear Station® burner has an on or off control setting. To ignite the Sear Station® burner you must first ignite the two adjacent main burners.

### Adjacent Main Burner Snap Ignition

*Note: Each main burner control knob snap igniter creates a spark from the igniter electrode to the burner lighting tube. You generate the energy for the spark by pushing in the control knob and turning to START/Hi. This will ignite each individual burner.*

⚠ **WARNING:** Check hose before each use of barbecue for nicks, cracking, abrasions or cuts. If the hose is found to be damaged in any way, do not use the barbecue. Replace using only Weber® authorized replacement hose. Contact the Customer Service Representative in your area using the contact information on our web site. Log onto [www.weber.com](http://www.weber.com)®.

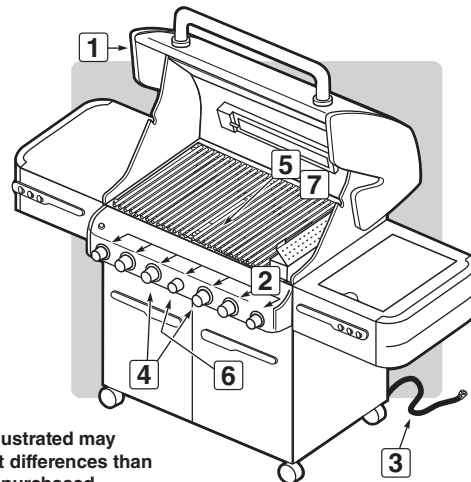
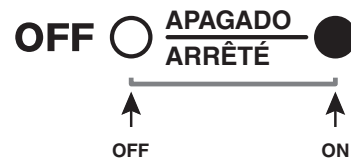
- A) Open the lid (1).
- B) Make sure all burner control knobs are turned off (2). (Push control knob in and turn clockwise to ensure that it is in the OFF position.)
- C) Turn on the gas supply at source (3).
- ⚠ **WARNING:** Do not lean over the open barbecue.
- D) Ignite each adjacent Sear Station® main burner (4). Push the control knob in and turn to START/Hi until you hear the igniter snap - continue to hold control knob in for two seconds. This action will spark the igniter, the burner lighting tube and then main burner.
- E) Check that the burner is lit by looking through the cooking grates (5). You should see a flame. If burner does not light on first try, push control knob in and turn to OFF. Repeat lighting procedure a second time.

### Sear Station® Burner Lighting: Ignition By An Adjacent Ignited Main Burner

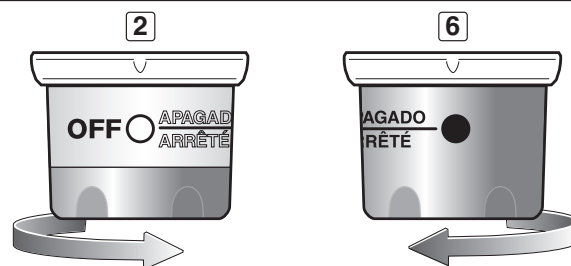
- F) Turn Sear Station® burner control knob to the ON position (6).
- G) Verify burner ignition by visual inspection of a flame (7).
- ⚠ **WARNING:** If ignition does not occur in five seconds, turn burner control OFF, wait five minutes, and repeat steps F & G, or see "SEAR STATION® BURNER MANUAL IGNITION" instructions.
- ⚠ **WARNING:** If the burner still does not light, turn the burner control knob to OFF and wait five minutes to let the gas clear before you try again or try to light with a match.  
**Note:** See "MAINTENANCE" for burner removal and cleaning procedure. ♦

### TO EXTINGUISH

Push in and turn each burner control knob clockwise to OFF position. Turn gas supply off at the source. ♦



The grill illustrated may have slight differences than the model purchased.



# SEAR STATION® IGNITION & USAGE

## SEAR STATION® BURNER MANUAL IGNITION

### ⚠ DANGER

Failure to open the lid while igniting the barbecue's burners, or not waiting 5 minutes to allow the gas to clear if the barbecue does not light, may result in an explosive flare-up which can cause serious bodily injury or death.

The Sear Station® burner has an on or off control setting. To ignite the Sear Station® burner you must first ignite the two adjacent main burners.

### Adjacent Main Burner Snap Ignition

*Note: Each main burner control knob snap igniter creates a spark from the igniter electrode to the burner lighting tube. You generate the energy for the spark by pushing in the control knob and turning to START/HI. This will ignite each individual burner.*

- A) Open the lid (1).
- B) Verify each adjacent Sear Station® main burner is lit by visual inspection of a flame (2).

- C) Put match in the match holder and strike match.

⚠ **WARNING: Do not lean over open barbecue.**

- D) Insert match holder and lit match down through cooking grates and Flavorizer® bars to ignite the Sear Station® burner (3).

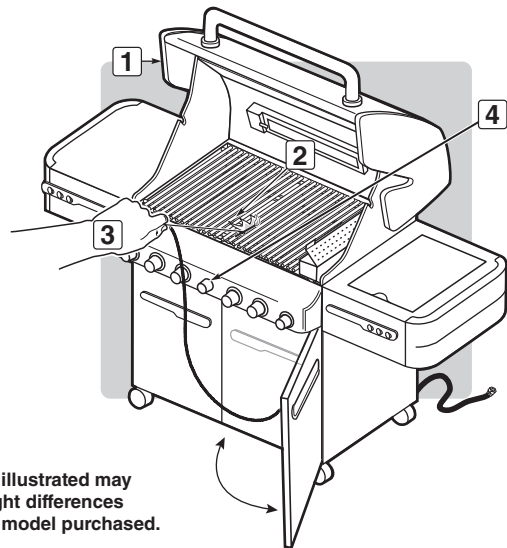
- E) Push the Sear Station® control knob in and turn to the ON position (4).

⚠ **WARNING: If the burner does not light, turn the burner control knob to OFF and wait 5 minutes to let the gas clear before you try again.**

**Note: See "MAINTENANCE" for burner removal and cleaning procedure.** ♦

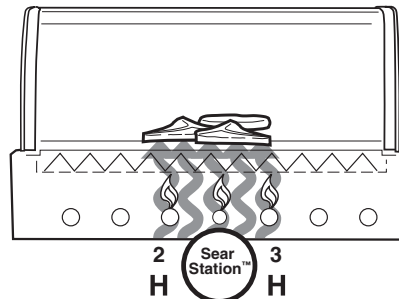
### TO EXTINGUISH

Push in and turn each burner control knob clockwise to OFF position. Turn gas supply off at the source. ♦



The grill illustrated may have slight differences than the model purchased.

### 4 BURNER



### SEAR METHOD

Food is placed in the area of intense heat between the lit burners

### USING THE SEAR STATION®

Your Weber® gas barbecue includes a sear burner for searing meats such as steak, poultry parts, fish, and chops).

Searing is a direct grilling technique which browns the surface of the food at a high temperature. By searing or browning both sides of the meat you will create a more desirable flavor by caramelizing the food surface. Searing will also enhance appearance of the meat with sear marks from the cooking grates. This along with the contrast of textures and flavors can make food more interesting to the palate.

The Sear Station® burner has an on or off control setting that works with the two adjacent main burners. With the sear and adjacent burners you can effectively sear meats while using other cooking areas for grilling with moderate heat.

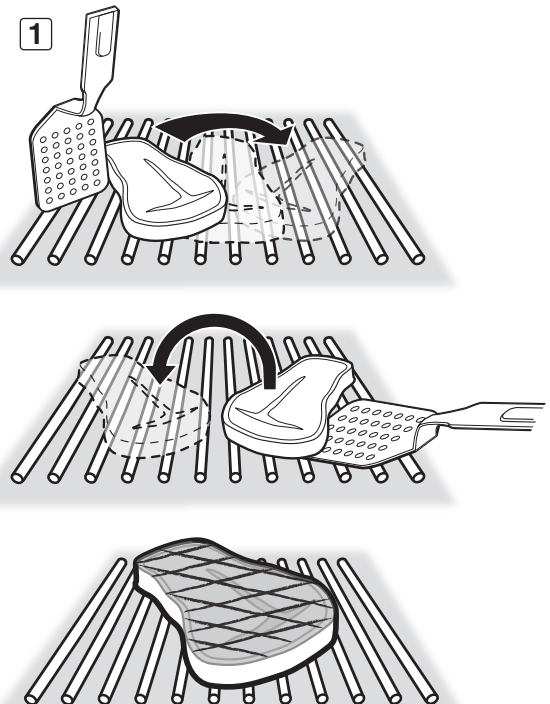
Before searing you should turn all of the main burners on HI for 15 minutes to preheat the grill. Note: Always grill with the lid closed to allow for maximum heat and to avoid flare ups.

Once the grill is preheated, turn the outer burners off or down to low. Leave the center two burners on HI and ignite the Sear Station Burner.

Place the meat directly over the Sear Station®. You will Sear each side anywhere from 1 to 4 minutes, depending on the type of meat and thickness. You may turn the food a quarter turn to make crossing sear marks (1) before you sear the other side in the same manner.

Once you are done searing you can finish grilling by moving the meat to a moderate heat over the outside burners to achieve the desired doneness.

As you gain experience in using your Sear Station®, we encourage you to experiment with different searing times to find results that work best for your taste. ♦



# SMOKER BURNER IGNITION & USAGE

## SMOKER BURNER IGNITION

### ⚠ DANGER

Failure to open the lid while igniting the grill, or not waiting five minutes to allow the gas to clear if the grill does not light, may result in an explosive flare-up which can cause serious bodily injury or death.

### Smoker Burner Snap Ignition

Note: The control knob snap igniter creates a spark from the igniter electrode to the burner lighting tube. You generate the energy for the spark by pushing in the control knob and turning to START/HI. This will ignite the smoker burner.

⚠ **WARNING:** Check hose before each use of grill for nicks, cracking, abrasions or cuts. If the hose is found to be damaged in any way, do not use the grill. Replace using only Weber® authorized replacement hose. Contact the Customer Service Representative in your area using the contact information on our web site. Log onto [www.weber.com](http://www.weber.com)®.

- A) Open the grill lid (1).
- B) Open smoker box lid (2).
- C) Fill smoker with water soaked wood chunks or chips (3).
- D) Make sure that all burner control knobs not being used are turned to OFF (4). (Push control knob in and turn clockwise to ensure that it is in the OFF position).
- E) Turn on the gas at source (5).
- ⚠ **WARNING:** Do not lean over the open grill while lighting.
- F) Push the control knob in and turn to START/HI until you hear the igniter snap (6), continue to hold control knob in for two seconds. This action will spark the igniter, the burner lighting tube, and then smoker burner.
- G) Check that the burner is lit by looking through the cooking grates (7). You should see a flame. If burner does not light on first try, push control knob in and turn to OFF. Repeat lighting procedure a second time.

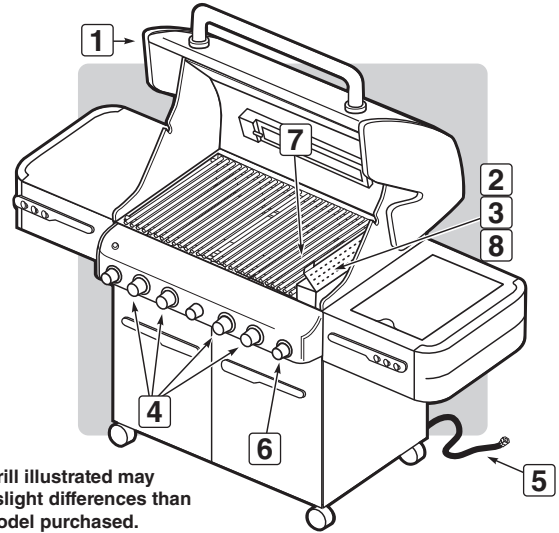
### ⚠ DANGER

If the smoker burner still does not light, turn the burner control knob to OFF and wait five minutes to let the gas clear before you try again, or try lighting with a match (see "SMOKER BURNER MANUAL IGNITION").

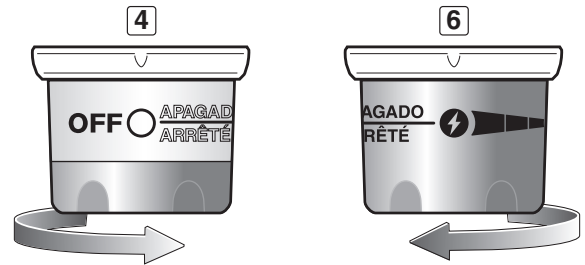
- H) Close smoker cover (8) after wood starts to smolder and turn control knob to LOW. ♦

## TO EXTINGUISH

Push in and turn each burner control knob clockwise to OFF position. Turn gas supply off at the source. ♦



The grill illustrated may have slight differences than the model purchased.



# SMOKER BURNER IGNITION & USAGE

## SMOKER BURNER MANUAL IGNITION

- A) Open the lid (1).

### ⚠ DANGER

Failure to open the lid while igniting the grill, or not waiting five minutes to allow the gas to clear if the grill does not light, may result in an explosive flare-up which can cause serious bodily injury or death.

- B) Open smoker box lid (2).  
C) Fill smoker with water soaked wood chunks or chips (3).  
D) Make sure that all burner control knobs not being used are turned to OFF (4). (Push control knob in and turn clockwise to ensure that it is in the OFF position.)  
E) Turn on the gas at source (5).  
F) Put a match in the match holder and strike the match.  
G) Insert match holder and lit match down through cooking grates and Flavorizer® bars to ignite smoker burner (6).

⚠ **WARNING: Do not lean over the open grill while lighting.**

- H) Push smoker burner control knob in and turn to START/HI (7).  
I) Check that the burner is lit by looking down through the cooking grate (8).

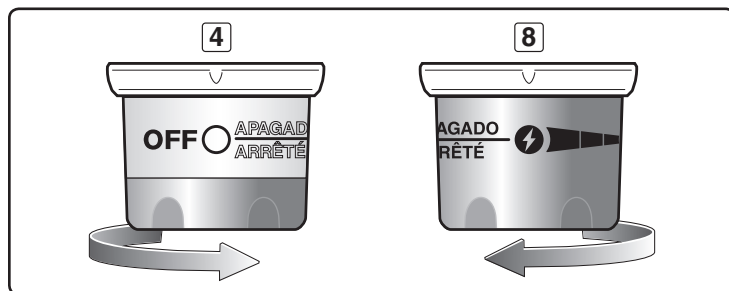
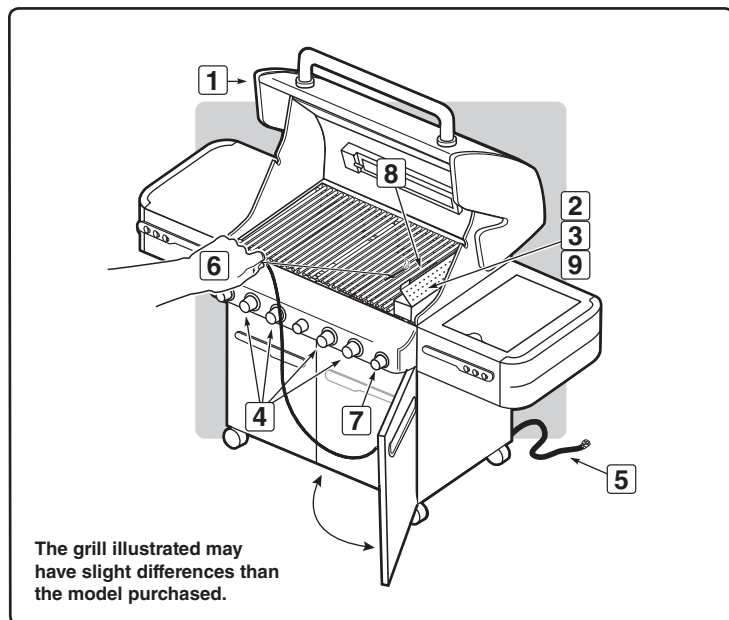
### ⚠ DANGER

If the smoker burner does not light, turn the burner control knob to OFF and wait five minutes to let the gas clear before you try again.

- J) Close smoker cover (9) after wood starts to smolder and turn control knob to LOW. ♦

## TO EXTINGUISH

Push in and turn each burner control knob clockwise to OFF position. Turn gas supply off at the source. ♦



# SMOKER BURNER IGNITION & USAGE

## USING THE SMOKER

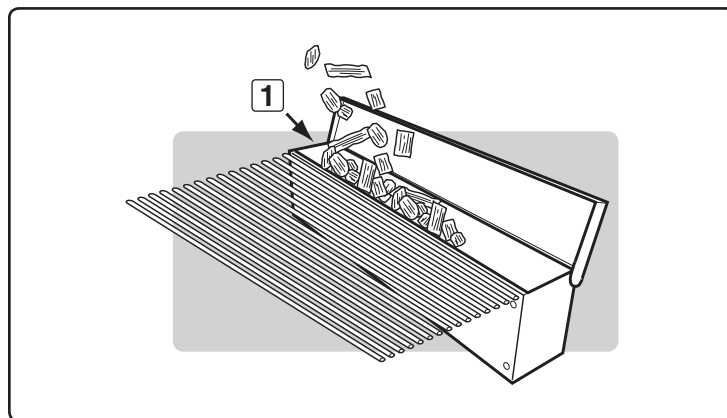
The smoker uses presoaked wood chips. For best results with faster cooking foods like steaks, burgers and chops, etc., we recommend using finer wood chips because they ignite and create smoke faster. For longer cooking foods such as roasts, chicken and turkeys, etc., we recommend using larger wood chunks because they ignite slowly and provide smoke for a longer period of time. As you gain experience in using your smoker, we encourage you to experiment with different combinations of wood chips and chunks to find the smoke flavor that best suits your taste.

As a starting point, soak wood chips in water for at least 30 minutes before using. (Wet wood will produce more smoke flavor.) Place a handful of wood chips or a few larger chunks in the bottom of the smoker body (1). As you gain experience in smoking, increase or decrease the amount of wood to suit your taste.

*Note: Always grill with the lid closed to allow the smoke to fully penetrate the food. Light the smoker burner by following the instructions for "SMOKER BURNER IGNITION". After wood starts to smolder turn control knob to LOW.*

Smoke will start in approximately 10 minutes and last as long as 45 minutes. If you require more smoke flavor, refill the smoker with wood chips and/or chunks. Keep the lid of the grill closed while cooking.

*Note: After refilling smoker, smoke will take about 10 to 15 minutes to start again. The smoker may be used to enhance meat, poultry and fish recipes. Cook with the lid down according to the times indicated in charts or recipes.*



### **⚠ DANGER**

**Do not use any flammable fluid in the smoker to ignite the wood. This will cause serious bodily injury. ♦**

## CLEANING THE SMOKER

Before each use, empty the smoker of ash to allow proper air flow.

*Note: Smoking will leave a "smoke" residue on the surface of the smoker. This residue cannot be removed and will not affect the function of the smoker. To a lesser degree a "smoke" residue will accumulate on the inside of your gas grill. This residue need not be removed and will not adversely affect the function of your gas grill. ♦*



# ROTISSERIE BURNER IGNITION & USAGE

## ROTISSERIE BURNER IGNITION

### Rotisserie Burner Snap Ignition

Note: Each control knob igniter creates a spark from the igniter electrode to the burner lighting tube. You generate the energy for the spark by pushing in the control knob and turning to START/Hi. This will ignite each individual burner.

#### ⚠ ATTENTION: READ BEFORE LIGHTING ROTISSERIE BURNER

After a period of non-use, before lighting the Rotisserie Burner, a few seconds must pass for the gas supply line to fill.

When using the snap igniter you will see a flash of flames moving from left to right across the Rotisserie Burner surface, the Rotisserie Burner is not lit until the entire ceramic surface is aflame.

At this point, start a count of 20 seconds before releasing the Rotisserie Burner control knob.

The Rotisserie Burner surface will glow red once the burner is fully ignited.

#### ⚠ DANGER

Failure to open the lid while igniting the grill, or not waiting five minutes to allow the gas to clear if the grill does not light, may result in an explosive flare-up which can cause serious bodily injury or death.

⚠ CAUTION: The Rotisserie Burner flame may be difficult to see on a bright sunny day.

⚠ WARNING: Check hose before each use of grill for nicks, cracking, abrasions or cuts. If the hose is found to be damaged in any way, do not use the grill. Replace using only a Weber® authorized replacement hose. Contact the Customer Service Representative in your area using the contact information on our web site.

Log onto [www.weber.com](http://www.weber.com)®.

- A) Open the lid (1).
- B) Remove the warming rack and the cooking grates from the cookbox (2).
- C) Make sure all burner control knobs are turned to off (3). (Push control knob in and turn clockwise to ensure that it is in the OFF position.)
- D) Turn on the gas at source (4).

⚠ WARNING: Do not lean over the open grill.

- E) Push the control knob in and turn to START/Hi (5). This action will spark the igniter and light the Rotisserie Burner. Continue to use the snap igniter until the Rotisserie Burner has ignited. Continue to hold the control knob down until twenty seconds after the burner has ignited. Release the control knob.

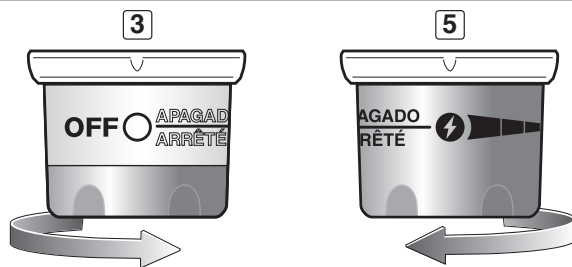
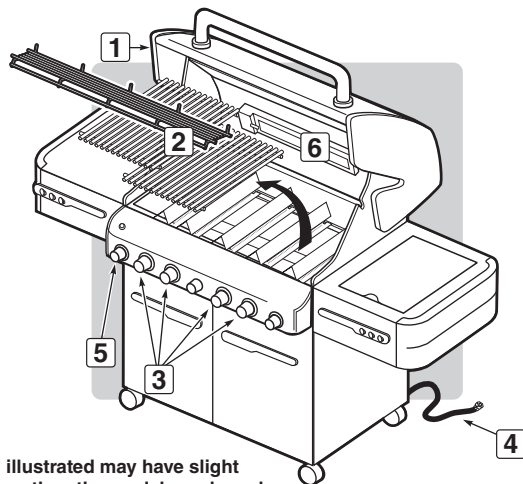
- F) Check that the burner is lit by looking for the rotisserie burner to glow red (6).

⚠ WARNING: If the rotisserie burner does not light, turn the burner control knob to OFF and wait five minutes to let the gas clear before you try again or try to light with a match.

Note: When using the rotisserie with the lid closed, only light two of the main burners on each side of the food (See "INDIRECT COOKING"). Check your food periodically to prevent over cooking on the outside. Turn off the rotisserie burner once the food has browned to the desired color. Finish cooking on indirect heat.

## TO EXTINGUISH

Push in and turn each burner control knob clockwise to OFF position. Turn gas supply off at the source. ♦



# ROTISSERIE BURNER IGNITION & USAGE

## ROTISSERIE BURNER MANUAL IGNITION

### ⚠ ATTENTION: READ BEFORE LIGHTING ROTISSERIE BURNER

After a period of non-use, before lighting the Rotisserie Burner, a few seconds must pass for the gas supply line to fill. When holding a match to the rotisserie burner you will see a flash of flames moving from left to right across the Rotisserie Burner surface, the Rotisserie Burner is not lit until the entire ceramic surface is aflame. At this point, start a count of 20 seconds before releasing the Rotisserie Burner control knob. The Rotisserie Burner surface will glow red once the burner is fully ignited.

### ⚠ DANGER

Failure to open the lid while igniting the grill, or not waiting 5 minutes to allow the gas to clear if the grill does not light, may result in an explosive flare-up which can cause serious bodily injury or death.

⚠ CAUTION: The Rotisserie Burner flame may be difficult to see on a sunny day.

⚠ WARNING: Check hose before each use for nicks, cracking, abrasions or cuts. If the hose is found to be damaged in any way, do not use the grill. Replace using only a Weber® authorized replacement hose. Contact the Customer Service Representative in your area using the contact information on our web site.

Log onto [www.weber.com](http://www.weber.com)®.

- A) Open the lid (1).
- B) Remove the warming rack and the cooking grates from the cookbox (2).
- C) Make sure all burner control knobs are turned to off (3). (Push control knob in and turn clockwise to ensure that it is in the OFF position.)
- D) Turn on the gas at source (4).
- E) Put a match in the match holder and strike the match.
- F) Hold match holder and lit match by right side of rotisserie burner (5).

⚠ WARNING: Do not lean over the open grill.

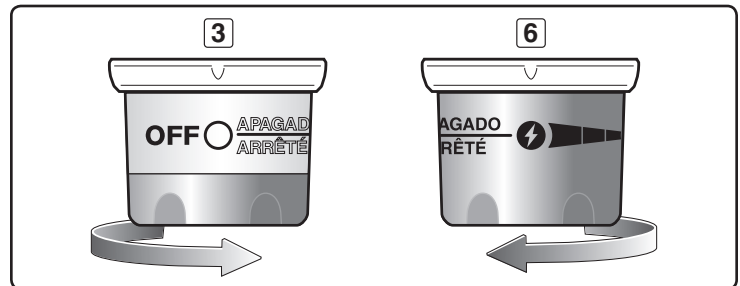
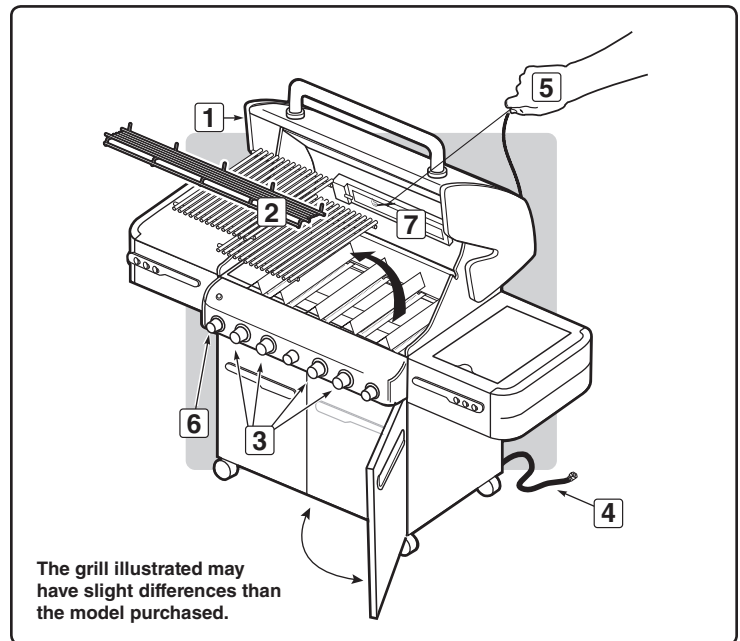
- G) Push rotisserie burner control knob down and turn to START/HI (6). Continue to hold the control knob down until twenty seconds after the burner has ignited.
- H) Check that the burner is lit by looking for the rotisserie burner to glow red (7).

⚠ WARNING: If the rotisserie burner does not light, turn the burner control knob to OFF and wait five minutes to let the gas clear before you try again.

*Note: When using the rotisserie with the lid closed, only light two of the main burners under the food (See "INDIRECT COOKING"). Check your food periodically to prevent over cooking on the outside. Turn off the rotisserie burner once the food has browned to the desired color. Finish cooking on indirect heat. ♦*

## TO EXTINGUISH

Push in and turn each burner control knob clockwise to OFF position. Turn gas supply off at the source. ♦



# ROTISSERIE BURNER IGNITION & USAGE

## BEFORE USING YOUR ROTISSERIE

*Note: Before using your rotisserie, measure your food at the widest point. If it exceeds 9½" (241.8mm), it is too large to fit the rotisserie. If it is too large, food can be prepared using a roast holder and the Indirect Cooking Method.*

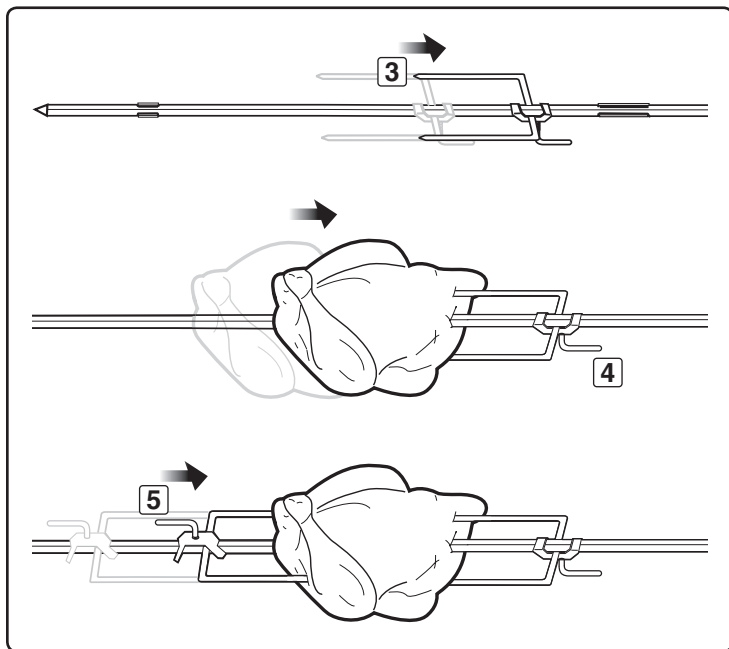
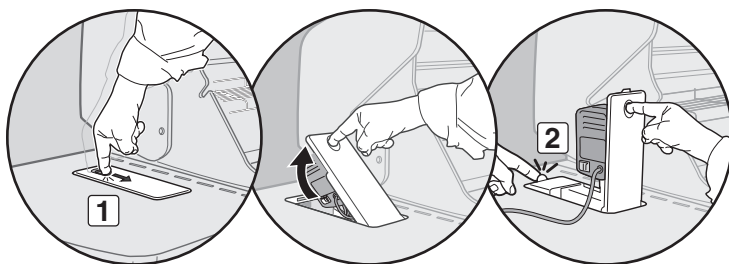
### Important Safeguards

#### ⚠ WARNINGS

- ⚠ Read all instructions before using your rotisserie.
- ⚠ This rotisserie is for outdoor use only.
- ⚠ Remove motor and store in a dry place when not in use.
- ⚠ Do not touch hot surfaces. Use barbecue mitts.
- ⚠ This rotisserie is not for use by children.
- ⚠ To protect against electrical hazards do not immerse cord, plugs, or motor in water or other liquids.
- ⚠ Unplug the motor from outlet when not in use or before cleaning.
- ⚠ Do not use rotisserie for other than intended use.
- ⚠ Make sure motor is off before placing it on the motor bracket.
- ⚠ Do not operate the rotisserie motor with a damaged cord or plug.
- ⚠ Do not operate the rotisserie motor if it should malfunction.
- ⚠ The rotisserie motor is equipped with a three prong (grounding) power cord for your protection against shock hazard.
- ⚠ The power cord should be plugged directly into a properly grounded three prong receptacle. If use of an extension cord is required, be sure that it is a minimum 16 AWG (1.3mm), 3-wire, well insulated cord marked for OUTDOOR USE ONLY and properly grounded.
- ⚠ When using an extension cord, make sure it is not in contact with a hot or sharp surface.
- ⚠ Outdoor extension cords should be marked with the letters "W-A" and a tag stating "Suitable for use with outdoor appliances".
- ⚠ Do not cut or remove the grounding prong from the rotisserie motor power cord.
- ⚠ Do not let cord hang over any sharp edge or hot surface.
- ⚠ To reduce the risk of electric shock, keep extension cord connection dry and off the ground.
- ⚠ A short power cord is supplied to reduce the risk of tripping over the cord. Extension cords may be used, but caution must be taken to prevent tripping over the cord.
- ⚠ In absence of local codes the rotisserie motor must be grounded electrically in accordance with the National Electric Code, ANSI / NFPA 70, or Canadian Electrical Code, CSA C22.1. ♦

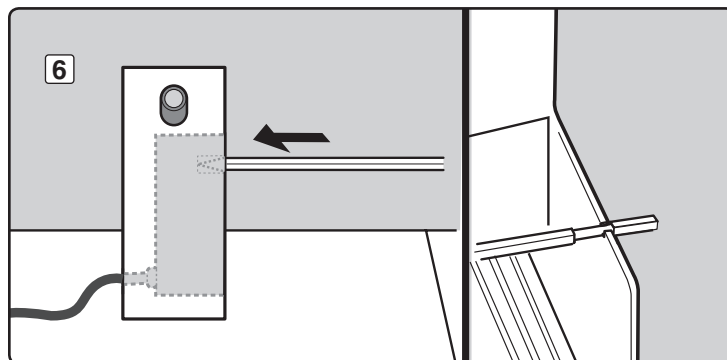
## OPERATING THE ROTISSERIE

- ⚠ **WARNING: Setup up the rotisserie with food before lighting rotisserie burner.**
- A) To set up rotisserie motor, push the button on the retractable rotisserie panel (1). Pull rotisserie panel upwards. Push locking tab (2) until it snaps into place.
- B) Remove power cord and plug into power source.
- ⚠ **CAUTION: Do not route rotisserie motor power cord through the retractable rotisserie opening in the side table.**
- ⚠ **CAUTION: Inspect power cord before each use. If cord is damaged, do not use. Contact the Customer Service Representative in your area using the contact information on our web site. Log onto [www.weber.com](http://www.weber.com).**
- C) Slide one of the spit forks towards the right side of the rotisserie shaft, making sure that the spikes face to the left and the fork screw faces down (3).
- D) Push the rotisserie shaft through the center of the food. Insert the tines of both spit forks into the food. The food should be centered on the shaft. Tighten the spit fork screw (4).
- E) Slide another spit fork onto the rotisserie shaft, making sure that the spikes face to the right and the fork screw faces up. Insert the tines of both spit forks into the food. Tighten the spit fork screw (5).



# ROTISSERIE BURNER IGNITION & USAGE

- F) Insert the pointed end of the rotisserie shaft into the motor. Lower the rotisserie spit into the grooves on the cookbox (6).
- G) The rotisserie shaft should rotate so that the heavy side of the meat or poultry rotates down to the bottom. Large cuts may require the removal of the cooking grates and warming rack to allow full rotation of the shaft. Remount the food if necessary for better balance.
- H) Turn the motor on. ♦



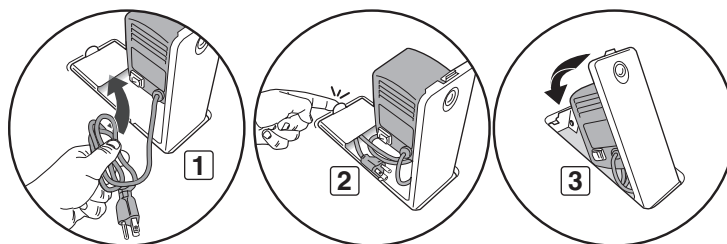
## ROTISSERIE COOKING

- Meats (except poultry and ground meat) should be brought to room temperature before cooking. (20 to 30 minutes should be adequate for most foods. If frozen defrost completely before cooking.)
- Tie meat or poultry with a string, if necessary, to make the shape as uniform as possible before putting it on the spit.
- Remove cooking grates and warming rack to allow food to turn freely.
- Follow lighting instructions for rotisserie burner.
- Set rotisserie burner on medium-high based on outside air temperatures.
- Place food within area of burner.
- If you wish to save drippings for gravy, place a drip pan directly under the food on top of the Flavorizer® bars.
- Food preparation steps are the same for rotisserie cooking as for regular cooking.
- All cooking is done with the lid closed.
- If foods are too heavy or are irregular shapes, they may not rotate well and should be cooked by the Indirect Method without using the rotisserie.
- Smoker can be used in conjunction with rotisserie for more smoke flavor.

*Note: When using the rotisserie burner, grill thermometer will not reflect the temperature inside the cooking box. ♦*

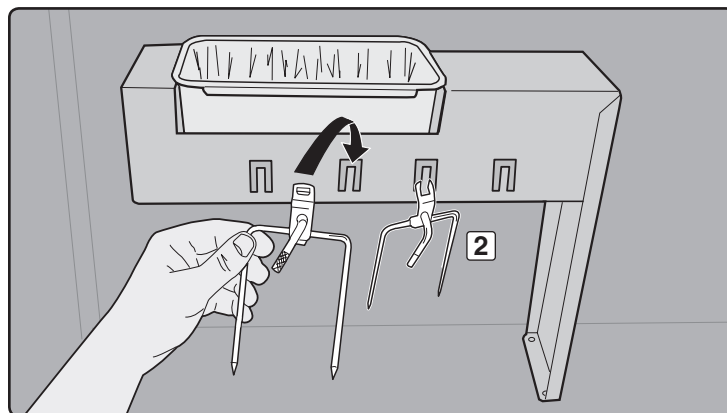
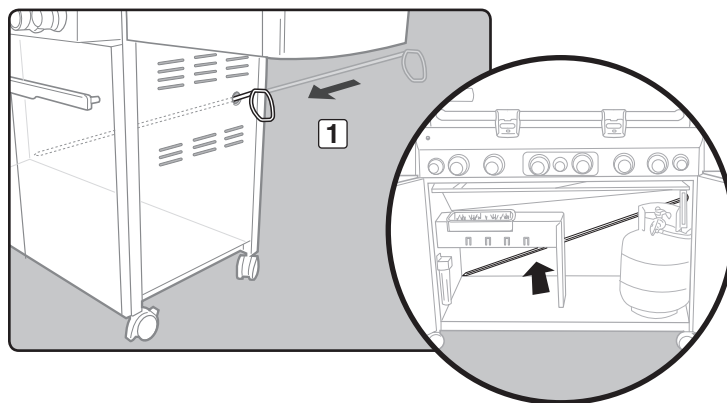
## ROTISSERIE MOTOR STORAGE

- A) Before retracting rotisserie back into the side table, unplug the power cord and carefully place plug/power cord into the storage area of the retractable rotisserie assembly (1).
- ⚠ **CAUTION: Failure to properly store the rotisserie power cord may result in damage to the power cord when opening and closing the retractable rotisserie panel.**
- B) Using your index finger, disengage retractable rotisserie panel (2). Push panel down until it snaps securely in place (3). ♦



## ROTISSERIE SPIT STORAGE

- A) Remove forks from rotisserie spit. Carefully insert spit into cabinet by sliding through hole in right side panel (1).
- ⚠ **CAUTION: Do not allow rotisserie spit to come into contact with any gas lines.**
- B) Store rotisserie forks by placing them on the hooks located on the catch pan holder within the grill cabinet (2). ♦



## TROUBLESHOOTING

PROBLEM	CHECK	SOLUTION
<b>Burners burn with a yellow or orange flame, in conjunction with the smell of gas (This is normal for the burner lighting tube).</b>  <b>Symptoms:</b> <b>Burner does not light, or flame is low in HI position.</b>	Inspect Spider/Insect Screens for possible obstructions. (Blockage of holes.)	Clean Spider/Insect Screens (refer to "ANNUAL MAINTENANCE").
	Is fuel hose bent or kinked?	Straighten fuel hose.
	Does Burner light with a match?	Clean burners (refer to "MAINTENANCE").
	Did you use the snap igniter several times until the main burner lit (refer to "MAIN BURNER IGNITION")?	Make sure to hold the control knob in for two seconds after snapping the igniter and seeing the orange flame from the burner lighting tube.
	Does the igniter work? Do you see a spark when you repeatedly use the snap igniter?	Try manually lighting the burner (refer to "MAIN BURNER MANUAL IGNITION"). Call customer service.
<b>Experiencing flare-ups:</b>  <b>⚠ CAUTION: Do not line the bottom tray with aluminum foil.</b>	Are you preheating barbecue in the prescribed manner?	All burners on HI for 10 to 15 minutes for preheating.
	Are the cooking grates and Flavorizer® bars heavily coated with burned-on grease?	Clean thoroughly (refer to "CLEANING").
	Is the bottom tray "dirty" and not allowing grease to flow into catch pan?	Clean bottom tray.
<b>Burner flame pattern is erratic. Flame is low when burner is on HI. Flames do not run the whole length of the burner tube.</b>	Are burners clean?	Clean burners (refer to "MAINTENANCE").
<b>Inside of lid appears to be "peeling" (Resembles paint peeling.)</b>	The lid is porcelain enamel or stainless steel, not paint. It cannot "peel"! What you are seeing is baked on grease that has turned to carbon and is flaking off.  <b>THIS IS NOT A DEFECT.</b>	Clean thoroughly (refer to "CLEANING").
<b>Cabinet doors are not aligned.</b>	Check the adjustment pin on the bottom of each door.	Loosen adjustment nut/s. Slide door/s until aligned. Tighten nut.
If problems cannot be corrected by using these methods, please contact the Customer Service Representative in your area using the contact information on our web site. Log onto <a href="http://www.weber.com">www.weber.com</a> ®.		

## SIDE BURNER TROUBLESHOOTING

PROBLEM	CHECK	SOLUTION
<b>Side Burner does not light.</b>	Is gas supply off?	Turn supply on.
<b>Flame is low in HI position</b>	Is the fuel hose bent or kinked?	Straighten hose.
<b>Push button ignition does not work.</b>	Does burner light with a match?	If match lights burner, check igniter (refer to "SIDE BURNER MAINTENANCE").
If problems cannot be corrected by using these methods, please contact the Customer Service Representative in your area using the contact information on our web site. Log onto <a href="http://www.weber.com">www.weber.com</a> ®.		

## SEAR STATION® TROUBLESHOOTING

PROBLEM	CHECK	SOLUTION
<b>Burners burn with a yellow or orange flame, in conjunction with the smell of gas (This is normal for the burner lighting tube).</b> <b>Sear Station® burner does not light.</b>	Inspect Spider/Insect Screens for possible obstructions. (Blockage of holes.)	Clean Spider/Insect Screens (refer to "ANNUAL MAINTENANCE").
	Did you ignite the two adjacent main burners? (Refer to "SEAR STATION® IGNITION & USAGE" instructions for safe lighting procedure)	Verify adjacent main burner ignition by visual inspection of a flame.  <b>⚠ WARNING: If ignition does not occur in five seconds, turn burner control OFF, wait five minutes to let the gas clear before you try again</b>
	Does Burner light with a match?	If you can light Burner with a match, then check the Crossover® Channel on the sear burner (refer to "MAINTENANCE" for burner removal and cleaning procedure).
	Does the igniter work (Do you see a spark when you repeatedly use the snap igniter?)	Try manually lighting the burner (refer to "SEAR STATION® IGNITION & USAGE"). Call customer service.
<b>If problems cannot be corrected by using these methods, please contact the Customer Service Representative in your area using the contact information on our web site. Log onto <a href="http://www.weber.com">www.weber.com</a>®.</b>		

## ROTISSERIE TROUBLESHOOTING

PROBLEM	CHECK	SOLUTION
<b>Rotisserie burner does not light.</b>	Did you hold the burner control knob in and hold in for 20 seconds until after burner ignited?	Try to relight burner by holding burner control knob in and continue holding in until 20 seconds after burner has ignited.
	Did you wait to see the entire ceramic surface become alight before counting 20 seconds?	When relighting burner by holding burner control knob in, wait to see the entire ceramic surface become alight before counting 20 seconds?
	Did you repeatedly use the snap ignition until the burner ignited?	After waiting five minutes for gas to clear, try repeatedly using the snap igniter until the burner ignites (refer to "ROTISSERIE BURNER IGNITION & USAGE").
	Does the igniter work? (Do you see a spark when you repeatedly use the snap igniter?)	Try manually lighting the burner (refer to "ROTISSERIE BURNER MANUAL IGNITION"). Call customer service.
<b>If problems cannot be corrected by using these methods, please contact the Customer Service Representative in your area using the contact information on our web site. Log onto <a href="http://www.weber.com">www.weber.com</a>®.</b>		

## GRILL OUT™ HANDLE LIGHT TROUBLESHOOTING

PROBLEM	CHECK	SOLUTION
<b>Weber Grill Out™ Handle Light does not light.</b>	Are the batteries old?	Replace batteries.
	Are the batteries installed correctly?	Refer to assembly illustration.
	Is the lid in the up position with the power button ON?	Light will activate when lid is open.
	Is the Weber Grill Out™ Handle Light activated?	Press the power button.
	Is the Weber Grill Out™ Handle Light positioned correctly on the handle?	Adjust position (refer to assembly illustration).
<b>If problems cannot be corrected by using these methods, please contact the Customer Service Representative in your area using the contact information on our web site. Log onto <a href="http://www.weber.com">www.weber.com</a>®.</b>		



# MAINTENANCE

## CLEANING

- ⚠ **WARNING:** Turn your Weber® gas barbecue off and wait for it to cool before cleaning.
- ⚠ **CAUTION:** Do not clean your Flavorizer® bars or cooking grates in a self-cleaning oven.

For availability of replacement cooking grates and Flavorizer® bars contact the Customer Service Representative in your area using the contact information on our website. Log onto [www.weber.com](http://www.weber.com).

**Outside surfaces** - Use a warm soapy water solution to clean, then rinse with water.

- ⚠ **CAUTION:** Do not use oven cleaner, abrasive cleansers (kitchen cleansers), cleaners that contain citrus products, or abrasive cleaning pads on barbecue or cart surfaces.

**Slide out bottom tray** - Remove excess grease, wash with warm soapy water, then rinse.

- ⚠ **CAUTION:** Do not line the bottom tray with aluminum foil.

**Flavorizer® bars and cooking grates** - Clean with a suitable stainless steel bristle brush. As needed, remove from grill and wash with warm soapy water, then rinse with water.

**Catch pan** - Disposable foil trays are available, or you can line the catch pan with aluminum foil. To clean the catch pan, wash with warm soapy water, then rinse.

**Thermometer** - Wipe with warm soapy water; clean with plastic scrub ball.

**Inside cooking module** - Brush any debris off of burner tubes. DO NOT ENLARGE BURNER PORTS (OPENINGS). Wash inside of cooking box with warm soapy water and a water rinse.

**Inside lid** - While lid is warm, wipe inside with paper towel to prevent grease build-up. Flaking built-up grease resembles paint flakes.

**Stainless steel surfaces** - Wash with a soft cloth and a soap and water solution. Be careful to scrub with the grain direction of the stainless steel.

**Do not use cleaners that contain acid, mineral spirits or xylene. Rinse well after cleaning.**

**Preserve your stainless steel** - Your grill or its cabinet, lid, control panel and shelves may be made from stainless steel. To keep the stainless steel looking its best is a simple matter. Clean it with soap and water, rinse with clear water and wipe dry. For stubborn particles, the use of a non-metallic brush can be used.

- ⚠ **IMPORTANT:** Do not use a wire brush or abrasive cleaners on the stainless steel surfaces of your grill as this will cause scratches.
- ⚠ **IMPORTANT:** When cleaning surfaces be sure to rub/wipe in the direction of the grain to preserve the look of your stainless steel. ♦

## WEBER® SPIDER/INSECT SCREENS

Your Weber® gas barbecue, as well as any outdoor gas appliance, is a target for spiders and other insects. They can nest in the venturi section (1) of the burner tubes. This blocks the normal gas flow, and can cause the gas to flow back out of the combustion air opening. This could result in a fire in and around the combustion air openings, under the control panel, causing serious damage to your barbecue.

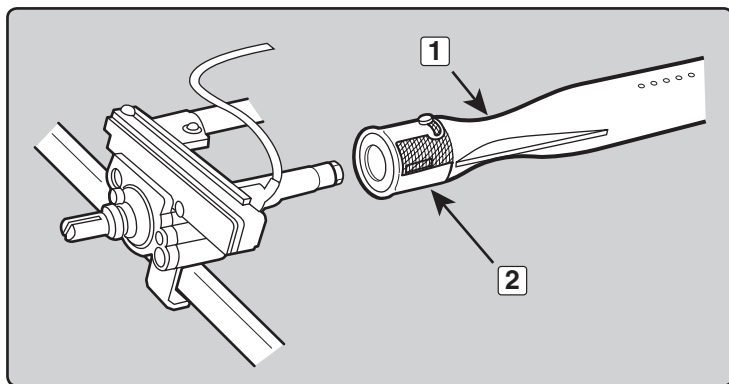
The burner tube combustion air opening is fitted with a stainless steel screen (2) to prevent spiders and other insects access to the burner tubes through the combustion air openings.

**We recommend that you inspect the Spider/Insect screens at least once a year. (See "ANNUAL MAINTENANCE" section) Also inspect and clean the the Spider/Insect screens if any of the following symptoms should ever occur:**

- A) The smell of gas in conjunction with the burner flames appearing yellow and lazy.
- B) Barbecue does not reach temperature.
- C) Barbecue heats unevenly.
- D) One or more of the burners do not ignite.

### ⚠ DANGER

**Failure to correct the above mentioned symptoms may result in a fire, which can cause serious bodily injury or death, and cause damage to property. ♦**



## MAIN BURNER CLEANING

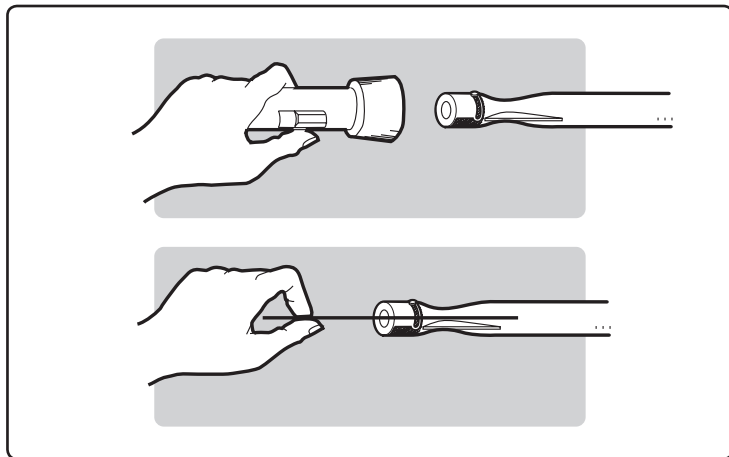
**TURN OFF THE GAS SUPPLY.**

Remove the manifold (See "REPLACING MAIN BURNERS").

Look inside each burner with a flashlight.

Clean the inside of the burners with a wire (a straightened-out coat hanger will work). Check and clean the air shutter opening at the ends of the burners. Check and clean the valve orifices at the base of the valves. Use a steel bristle brush to clean outside of burners. This is to make sure all the burner ports are fully open.

- ⚠ **CAUTION:** Do not enlarge the burner ports when cleaning. ♦



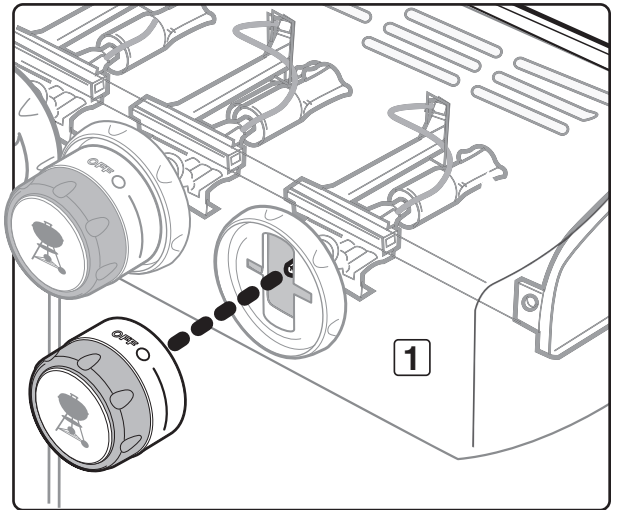


## REPLACING MAIN BURNERS

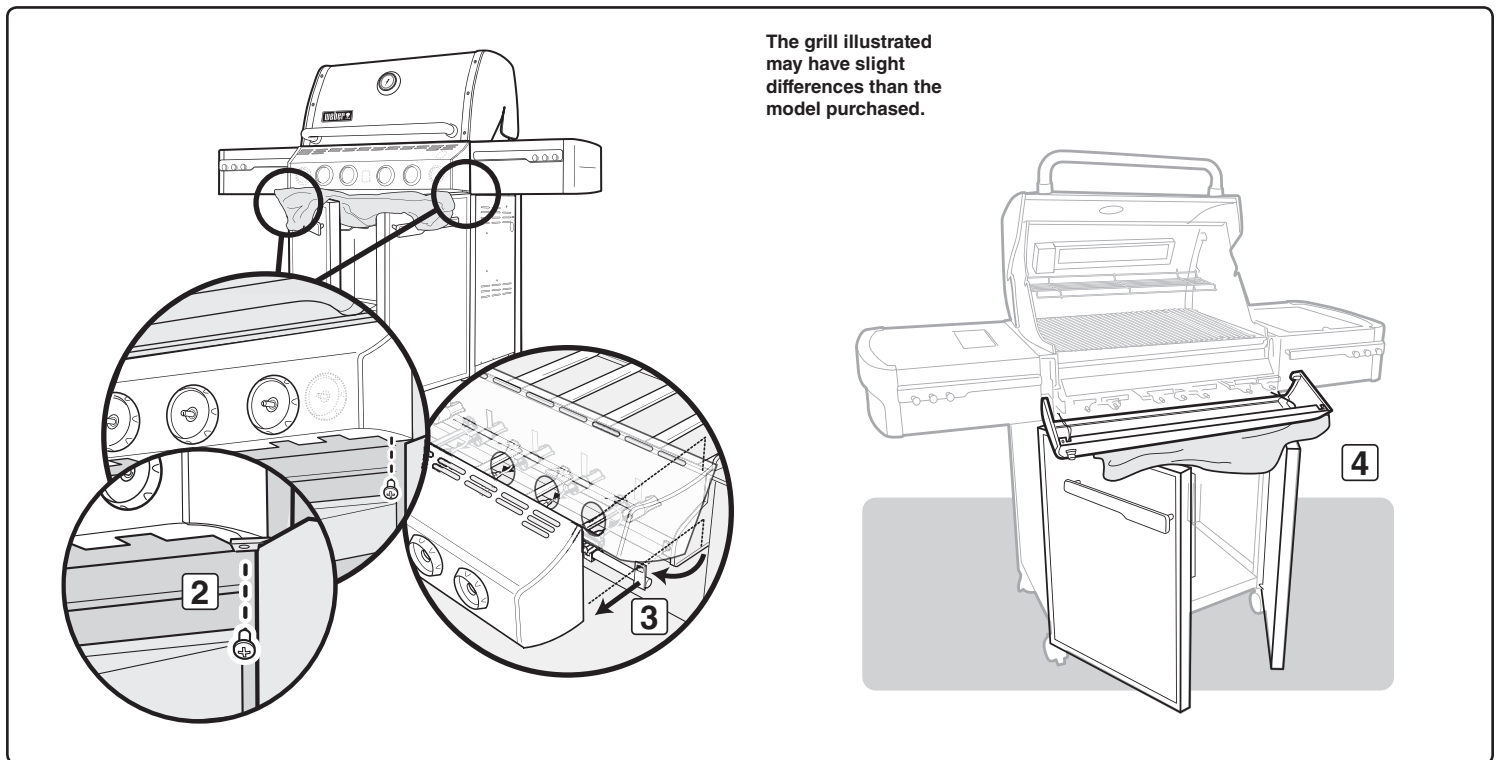
- A) Your Summit® gas grill must be off and cool.
- B) Turn gas off at source.
- C) Disconnect gas supply.
- D) Remove cooking grates.
- E) Remove Flavorizer® bars.
- F) Remove smoker box (if included in your model).

### Remove Control Panel

- G) Parts required: Phillips screwdriver and a towel.
  - a) Remove the burner control knobs (1).
  - b) Open both doors and place a towel on top of the doors. **This will protect the control panel and tops of the doors from getting scratched on the next step.**
  - c) Remove the screws from the underside of the control panel with a Phillips screwdriver (2).
  - d) Tilt the control panel forward and lift up and away from the grill (3) (For Summit® models with LED features: Be careful not to break or disconnect the wires for the control panel LED's).
  - e) Place the control panel on the towel covering the door assemblies (4).

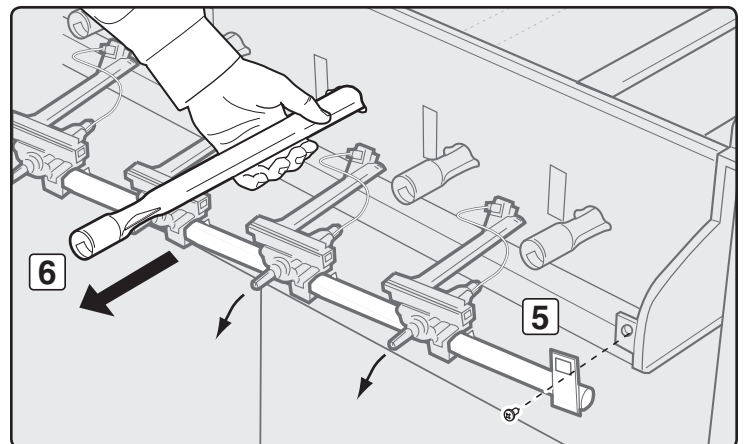


[US\\_MNT\\_409\\_Sum470\\_670.incx+](#)



The grill illustrated may have slight differences than the model purchased.

- H) Remove the two screws that secure the manifold to the cookbox. Pull manifold assembly out from the manifold frame (5).
- I) Pull the selected burner(s) tube(s) from manifold frame and replace with a new burner tube (6).



# MAINTENANCE

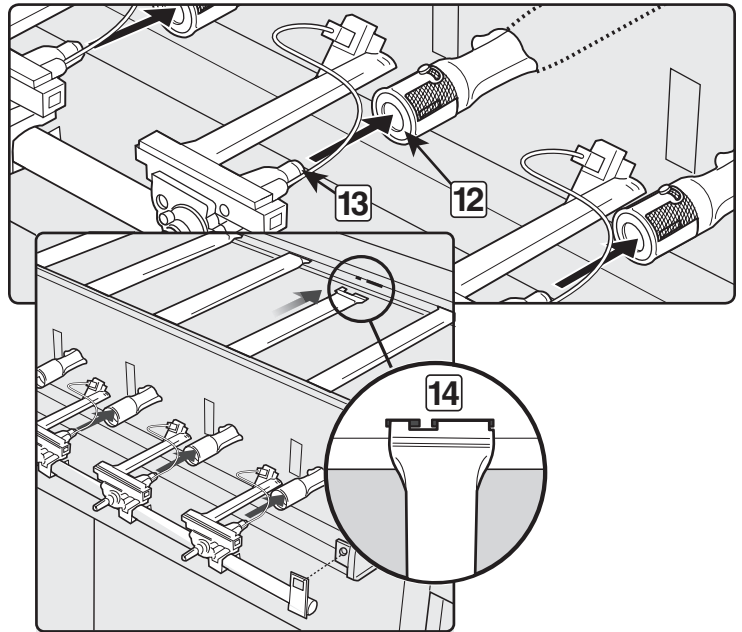
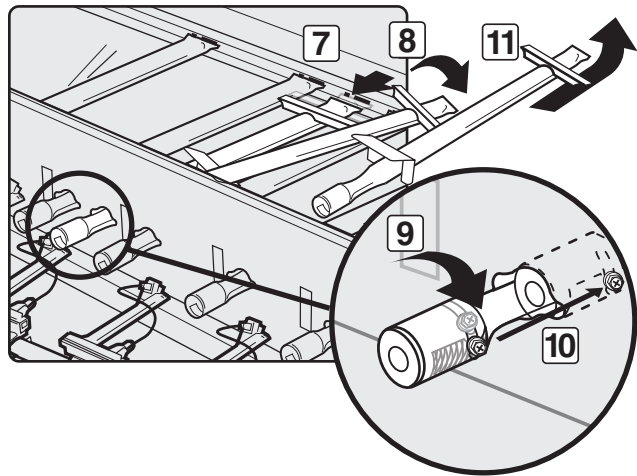
## Removing The Sear Station® Burner

To remove the Sear Station Burner®, pull the burner tube toward you. This removes it from the burner tube notch (7). Then rotate the tube clockwise (8), taking care to rotate the burner tube so that the screw at the end of the tube (9) fits through the notch in the heat shield opening (10). When the burner tube is free, remove it from the firebox (11).

J) To reinstall the manifold assembly, reverse steps G through I.

⚠ **CAUTION:** The burner openings (12) must be positioned properly over the valve orifices (13). Make sure the opposite end of the burner tubes (14) properly align into the slots on the backside of the cookbox. Check proper assembly before fastening manifold in place.

⚠ **WARNING:** After reinstalling the gas lines, they should be leak checked with a soap and water solution before using the grill. (See “CHECK FOR GAS LEAKS”) ♦



## SIDE BURNER MAINTENANCE

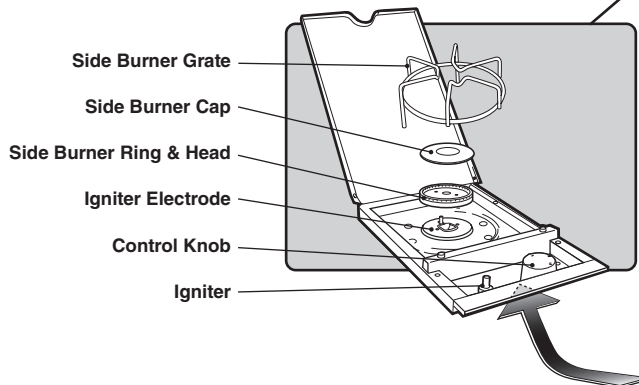
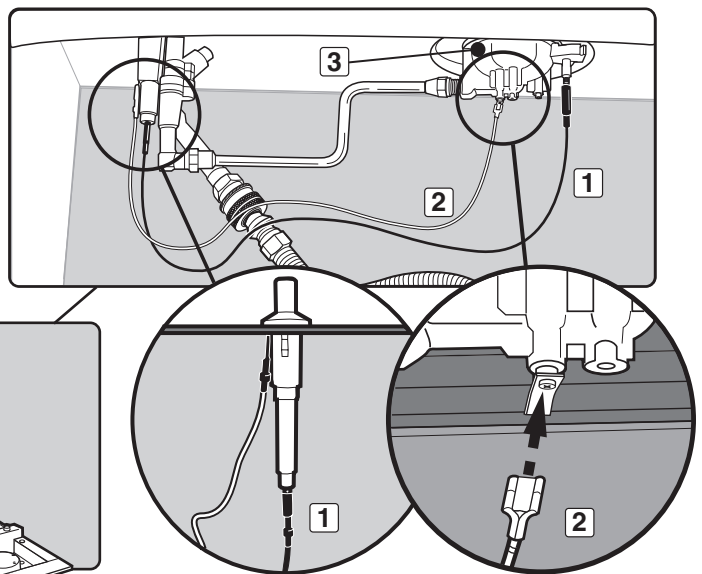
⚠ **WARNING:** All gas controls and supply valves should be in the OFF position.

Make sure black wire is connected between the igniter and electrode.

Make sure white wire is connected between the igniter and grounding clip.

Spark should be a white/blue color, not yellow.

- A) Igniter wire (1)
- B) Ground wire (2)
- C) Burner (3) ♦



## ANNUAL MAINTENANCE

### Inspection And Cleaning Of The Spider/Insect Screens

To inspect the Spider/Insect screens, remove the control panel. If there is dust or dirt on the screens, remove the burners for cleaning the screens.

Brush the Spider/Insect screens lightly with a soft bristle brush (i.e. an old toothbrush).

**⚠ CAUTION: Do not clean the Spider/Insect screens with hard or sharp tools. Do not dislodge the Spider/Insect screens or enlarge the screen openings.**

Lightly tap the burner to get debris and dirt out of the burner tube. Once the Spider/Insect screens and burners are clean replace the burners.

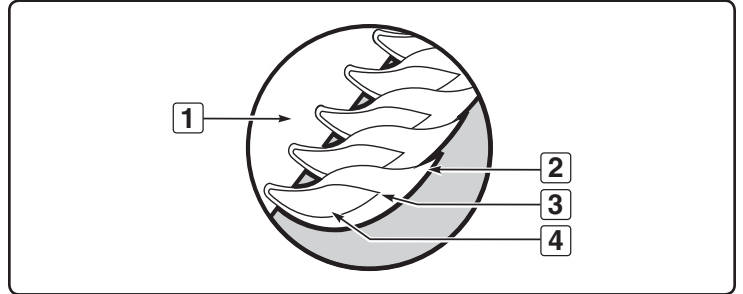
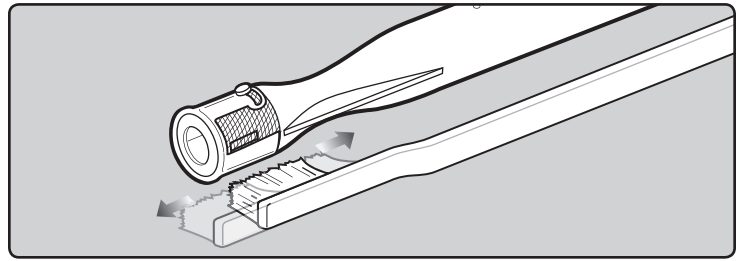
If the Spider/Insect screen becomes damaged or cannot be cleaned, please contact the Customer Service Representative in your area using the contact information on our web site. Log onto [www.weber.com](http://www.weber.com).

### Burner Flame Pattern

The Weber® gas barbecue burners have been factory set for the correct air and gas mixture. The correct flame pattern is shown.

- A) Burner tube (1)
- B) Tips occasionally flicker yellow (2)
- C) Light blue (3)
- D) Dark blue (4)

If the flames do not appear to be uniform throughout the burner tube, follow the burner cleaning procedures. ♦





# SUMMIT®



## BARBACOA DE GAS

### Guía del Propietario de la Barbacoa de Gas Natural

470

#56209



**DEBE LEER ESTA GUÍA DEL PROPIETARIO ANTES DE PONER A FUNCIONAR LA BARBACOA DE GAS.**

#### ⚠ PELIGRO

Si huele a gas:

1. Cierre el suministro de gas al artefacto.
2. Apague todas las flamas cerrando la valvula general de paso.
3. Abra la tapa.
4. Llame inmediatamente a la central de fugas o a su proveedor de gas.

Una fuga de gas puede provocar un incendio o explosión que puede resultar en lesiones corporales serias o la muerte, o daños a la propiedad.

#### ⚠ PARA SU SEGURIDAD

1. No almacene gasolina u otros fluidos flamables en la cercanía de su aparato.
2. Ningún cilindro de propano licuado que no esté conectado para su uso deberá almacenarse cerca de éste o cualquier otro artefacto doméstico.

⚠ **NOTA IMPORTANTE:** Antes de poner a funcionar la asador, siga cuidadosamente todos los procedimientos en este manual para verificar que no existan fugas. Haga esto aun y cuando la asador haya sido ensamblada por el distribuidor.

#### AVISO AL INSTALADOR:

Estas instrucciones deben permanecer con el propietario, quien las deberá guardar para un futuro uso.

**ESTE ARTEFACTO A GAS ESTÁ DISEÑADO PARA USARSE SOLAMENTE AL AIRE LIBRE.**

⚠ **ADVERTENCIA:** no intenta encender este artefacto sin haber leído antes la sección "ENCENDIDO DEL QUEMADOR PRINCIPAL" de este manual.



# ADVERTENCIAS

## ⚠ PELIGRO

El hacer caso omiso de los avisos de peligros, advertencias y precauciones contenidos en este Manual del Propietario pudiera resultar en lesiones corporales serias o la muerte, o en un fuego o explosión que cause daños a la propiedad.

## ⚠ ADVERTENCIAS

- ⚠ No almacene un tanque de propano licuado desconectado o de repuesto debajo o cerca de este asador.
- ⚠ El ensamblaje incorrecto puede ser peligroso. Por favor siga cuidadosamente las instrucciones de ensamblaje.
- ⚠ Tras haber estado guardada o sin uso por algún tiempo, antes de usar la barbacoa de gas Weber® verifique que no existan fugas de gas o obstrucciones en el quemador. Vea en este manual las instrucciones para los procedimientos correctos.
- ⚠ No opere la barbacoa de gas Weber® si existe una fuga de gas.
- ⚠ No utilice una llama abierta para comprobar la existencia de fugas de gas.
- ⚠ Nunca debe haber materiales combustibles a una distancia menor de 24 pulgadas (60 cm) de la parte superior, inferior, trasera o lateral de su asador de gas Weber®.
- ⚠ No coloque una funda para barbacoas ni cualquier otra artículo inflamable sobre o dentro del área de almacenaje ubicada debajo del asador.
- ⚠ Nunca permita que los niños usen la barbacoa de gas Weber®. Algunas partes accesibles de la barbacoa pudieran estar muy calientes. Mantenga alejados a los niños pequeños mientras ésta se esté usando.
- ⚠ Usted debe proceder con razonable cuidado al usar su barbacoa de gas Weber®. Ésta estará caliente al cocinarse en ella o al limpiarla, y nunca deberá dejarse desatendida o moverse mientras esté funcionando.
- ⚠ Si llegasen a apagarse los quemadores, cierre todas las válvulas de gas. Abra la tapa y espere cinco minutos antes de tratar de volver a encender la barbacoa, usando las instrucciones de encendido en este manual.
- ⚠ No use carbón o piedra pómez en su barbacoa de gas Weber®.
- ⚠ No se incline sobre la barbacoa abierta o coloque las manos o dedos en el borde delantero de la caja de cocción.
- ⚠ Si la grasa llegase a agarrar fuego, apague todos los quemadores y mantenga la tapa cerrada hasta que se haya apagado el fuego.
- ⚠ Al limpiar las válvulas o los quemadores, no ensanche los orificios de las válvulas o las aberturas de los quemadores.
- ⚠ La barbacoa de gas Weber® deberá limpiarse a fondo regularmente.
- ⚠ El propano licuado no es gas natural. El uso de gas natural en una unidad de propano licuado o viceversa, propano licuado en una de gas natural, es peligroso y anulará su garantía.
- ⚠ Mientras opere la barbacoa, utilice guantes resistentes al calor.
- ⚠ Mantenga alejados de todas las superficie calientes a todo cordón eléctrico y a la manguera de suministro de combustible.
- ⚠ Los subproductos de la combustión producidos al usar este producto contienen sustancias químicas que son conocidas por el Estado de la California como causantes de cáncer, defectos de nacimiento, u otros daños reproductivos.
- ⚠ No use esta barbacoa a menos que todas sus partes estén colocadas en su sitio. La unidad debe ensamblarse correctamente de acuerdo con las instrucciones de ensamblaje.
- ⚠ No construya este modelo de barbacoa en ninguna construcción en la que la barbacoa esté incorporada de manera fija o deslizable. El no acatar esta Advertencia pudiera resultar en un fuego o una explosión que pudiera causar daños a la propiedad y heridas corporales graves o la muerte.
- ⚠ Propuesta 65 Advertencia: El manipular los materiales de latón en este producto lo exponen al plomo, una sustancia química conocida por el estado de California como causante de cáncer, de defectos de nacimiento o de otros daños reproductivos. (Lávese las manos después de manipular este producto.)

## ÚNICAMENTE UNIDADES DE GAS PROPANO LICUADO

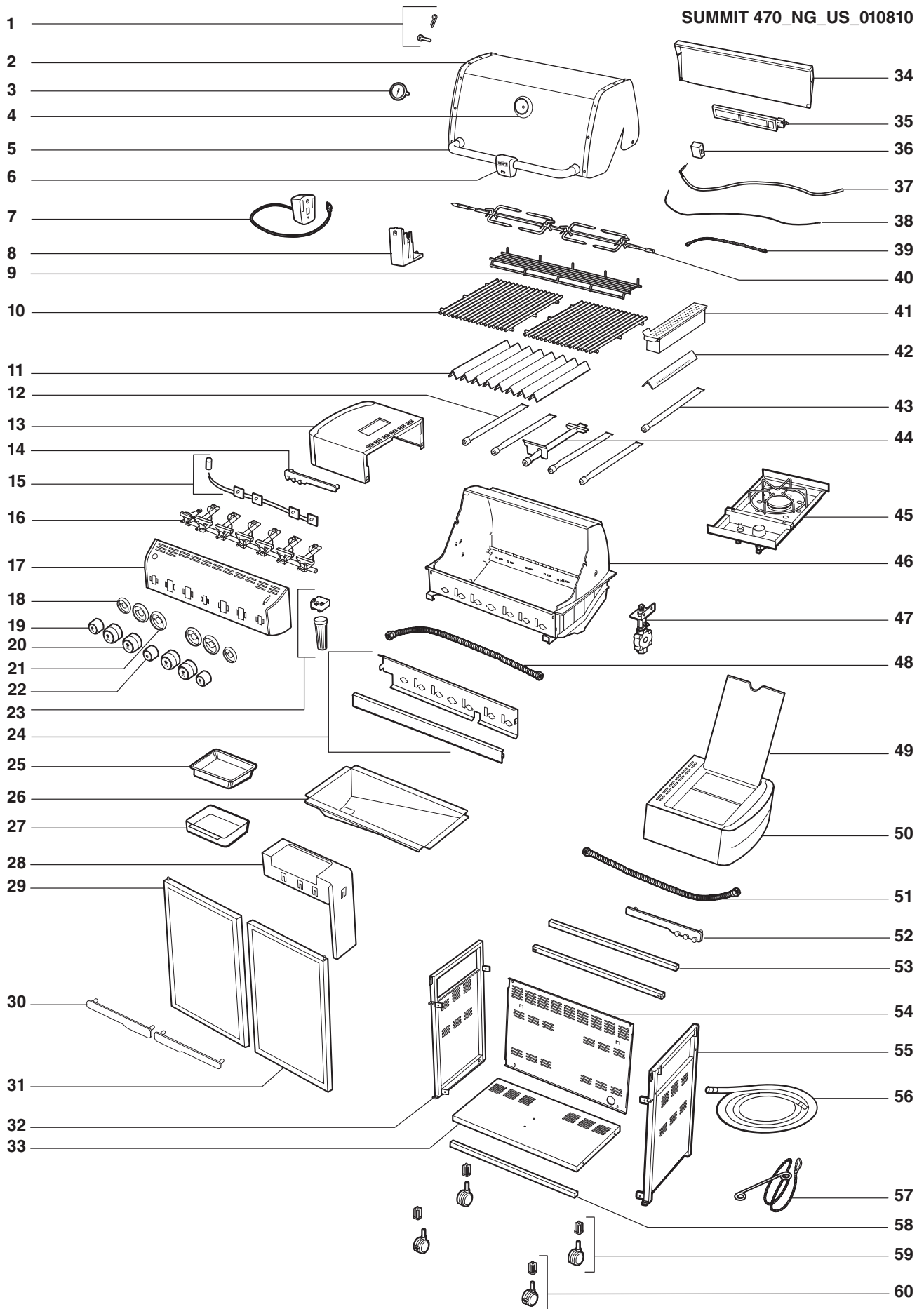
- ⚠ Use el regulador que se suministra con la barbacoa de gas Weber®.
- ⚠ No trate de desconectar el regulador de gas o ninguna conexión de gas mientras esté funcionando la barbacoa.
- ⚠ Un cilindro de propano licuado abollado u oxidado pudiera ser peligroso y deberá ser revisado por su suplidor de propano licuado. No utilice ningún cilindro de propano licuado con una válvula dañada.
- ⚠ Aunque el cilindro de propano licuado pudiera aparentar estar vacío, algo de gas pudiera aún estar presente, por lo que el cilindro deberá transportarse y almacenarse tomando esta posibilidad en consideración.
- ⚠ Si usted ve, huele o escucha el silbido de un escape de gas del cilindro de propano licuado:
  1. Apártese del cilindro de propano licuado.
  2. No trate de corregir el problema usted mismo.
  3. Llame al cuerpo de bomberos local. ♦

<b>ADVERTENCIAS</b> .....	<b>38</b>	<b>ENCENDIDO Y USO DEL QUEMADOR DE LA ESTACIÓN DE DORAR SEAR STATION®</b> .....	<b>57</b>
<b>ÍNDICE</b> .....	<b>39</b>	ENCENDIDO DE LA ESTACIÓN DE DORADO SEAR STATION®.....	57
<b>DIAGRAMA DE DESPIECE</b> .....	<b>40</b>	PARA APAGAR.....	57
<b>LISTA DEL DIAGRAMA DE DESPIECE</b> .....	<b>41</b>	ENCENDIDO MANUAL DEL QUEMADOR DEL ESTACIÓN DE DORADO SEAR STATION®.....	58
<b>GARANTÍA</b> .....	<b>42</b>	PARA APAGAR.....	58
<b>INSTRUCCIONES GENERALES</b> .....	<b>43</b>	CÓMO USAR LA ESTACIÓN PARA DORAR SEAR STATION®.....	58
INSTALACIÓN CANADIENSE.....	43	<b>ENCENDIDO Y USO DEL QUEMADOR DE AHUMADO</b> .....	<b>59</b>
ALMACENAJE.....	43	ENCENDIDO DEL QUEMADOR DEL AHUMADOR.....	59
OPERACIÓN.....	43	PARA APAGAR.....	59
PRUEBAS A LA LÍNEA DE SUMINISTRO DE GAS.....	43	ENCENDIDO MANUAL DEL QUEMADOR DEL AHUMADOR.....	60
<b>INSTRUCCIONES PARA EL GAS</b> .....	<b>44</b>	PARA APAGAR.....	60
INSTALE EL SUMINISTRO DE GAS.....	44	CÓMO USAR EL AHUMADOR.....	61
TIPO DE GAS:.....	45	LIMPIEZA DEL AHUMADOR.....	61
¿QUÉ ES EL GAS NATURAL?.....	45	<b>ENCENDIDO Y USO DEL QUEMADOR DEL ASADOR GIRATORIO</b> .....	<b>62</b>
INSTALACIÓN TRANSPORTABLE.....	45	ENCENDIDO DEL QUEMADOR DEL ASADOR GIRATORIO.....	62
PREPARACIÓN PARA LA DETECCIÓN DE FUGAS.....	46	PARA APAGAR.....	62
REVISE LA MANGUERA FLEXIBLE QUE VA A LA CONEXIÓN DEL MÚLTIPLE.....	47	ENCENDIDO MANUAL DEL QUEMADOR DEL ASADOR GIRATORIO.....	63
DETECCIÓN DE FUGAS DE GAS.....	47	PARA APAGAR.....	63
<b>FUNCIONES DE LUZ</b> .....	<b>49</b>	ANTES DE USAR EL ASADOR GIRATORIO.....	64
LÁMPARA DEL ASA WEBER® GRILL OUT™.....	49	OPERACIÓN DEL ASADOR GIRATORIO.....	64
PERILLAS DE CONTROL ILUMINADAS.....	49	CÓMO COCINAR CON EL ASADOR GIRATORIO.....	65
<b>ANTES DE UTILIZAR LA BARBACOA</b> .....	<b>49</b>	ALMACENAJE DEL MOTOR DEL ASADOR GIRATORIO.....	65
BANDEJA CORREDIZA RECOLECTORA DE GRASA Y BANDEJA DESECHABLE DE GOTEO.....	49	ALMACENAJE DEL ESPETÓN DEL ASADOR GIRATORIO.....	65
<b>OPERACIÓN DE ENCENDIDO CON CHASQUIDO</b> .....	<b>50</b>	<b>RESOLUCIÓN DE PROBLEMAS</b> .....	<b>66</b>
<b>ENCENDIDO Y USO DEL QUEMADOR PRINCIPAL</b> .....	<b>51</b>	<b>RESOLUCIÓN DE PROBLEMAS CON EL QUEMADOR LATERAL</b> .....	<b>66</b>
ENCENDIDO DEL QUEMADOR PRINCIPAL.....	51	<b>RESOLUCIÓN DE PROBLEMAS CON EL ESTACIÓN DE DORADO SEAR STATION®</b> .....	<b>67</b>
PARA APAGAR.....	51	<b>RESOLUCIÓN DE PROBLEMAS CON EL ASADOR GIRATORIO</b> .....	<b>67</b>
ENCENDIDO MANUAL DEL QUEMADOR PRINCIPAL.....	52	<b>RESOLUCIÓN DE PROBLEMAS DE LA LUZ DE ASA GRILL OUT™</b> .....	<b>67</b>
PARA APAGAR.....	52	<b>MANTENIMIENTO</b> .....	<b>68</b>
<b>CONSEJOS PRÁCTICOS PARA ASAR</b> .....	<b>53</b>	LIMPIEZA.....	68
<b>MÉTODOS DE COCCIÓN</b> .....	<b>54</b>	MALLAS WEBER® CONTRA ARAÑAS E INSECTOS.....	68
COCCIÓN DIRECTA.....	54	LIMPIEZA DEL QUEMADOR PRINCIPAL.....	68
COCCIÓN INDIRECTA.....	54	REEMPLAZO DE LOS QUEMADORES PRINCIPALES.....	69
<b>ENCENDIDO Y USO DEL QUEMADOR LATERAL</b> .....	<b>55</b>	MANTENIMIENTO DEL QUEMADOR LATERAL.....	70
ENCENDIDO DEL QUEMADOR LATERAL.....	55	MANTENIMIENTO ANUAL.....	71
ENCENDIDO MANUAL DEL QUEMADOR LATERAL.....	56		



# DIAGRAMA DE DESPIECE

SUMMIT 470\_NG\_US\_010810



## LISTA DEL DIAGRAMA DE DESPIECE

- |  |  |   |
|--|--|---|
| 1. Accesorios de la cubierta                     | 21. Moldura decorativa de la perilla grande        | 41. Caja del ahumador                               |
| 2. Cubierta                                      | 22. Perilla de la estación de dorado Sear Station® | 42. Barra del ahumador                              |
| 3. Termómetro                                    | 23. Compartimiento de las baterías                 | 43. Quemador del ahumador                           |
| 4. Moldura decorativa del termómetro             | 24. Reflector de agua / Pantalla térmica           | 44. Quemador de la estación de dorado Sear Station® |
| 5. Asa   | 25. Bandeja de goteo desechable                    | 45. Quemador lateral                                |
| 6. Lámpara de asa GrillOut™                      | 26. Bandeja corrediza inferior                     | 46. Caja de cocción                                 |
| 7. Motor del asador giratorio                    | 27. Plato recolector                               | 47. Tabique divisorio                               |
| 8. Soporte del asador giratorio                  | 28. Soporte del plato recolector                   | 48. Manguera del múltiple                           |
| 9. Rejilla de calentamiento                      | 29. Puerta izquierda                               | 49. Tapa del quemador lateral                       |
| 10. Parrillas de cocción                         | 30. Asas de las puertas                            | 50. Mesa del quemador lateral                       |
| 11. Barras Flavorizor®                           | 31. Puerta derecha                                 | 51. Manguera del quemador lateral                   |
| 12. Tubos quemadores                             | 32. Panel izquierdo del bastidor                   | 52. Portaherramientas derecho                       |
| 13. Mesa lateral                                 | 33. Panel inferior                                 | 53. Soporte del bastidor                            |
| 14. Portaherramientas izquierdo                  | 34. Tapa del quemador infrarrojo                   | 54. Panel trasero                                   |
| 15. Cableado prefabricado del tablero de control | 35. Quemador infrarrojo                            | 55. Panel derecho del bastidor                      |
| 16. Múltiple                                     | 36. Caja del quemador infrarrojo                   | 56. Manguera del gas natural                        |
| 17. Tablero de control                           | 37. Cable de encendido del quemador infrarrojo     | 57. Portacerillos                                   |
| 18. Moldura decorativa de la perilla pequeña     | 38. Termopar                                       | 58. Soporte delantero del bastidor                  |
| 19. Perilla pequeña                              | 39. Manguera del quemador infrarrojo               | 59. Rueda giratoria                                 |
| 20. Perilla grande                               | 40. Ensamble del espetón del asador giratorio      | 60. Rueda giratoria con bloqueo                     |

# GARANTÍA

Weber-Stephen Products Co., (Weber) mediante la presente le garantiza al COMPRADOR ORIGINAL de esta barbacoa de gas Weber® que la misma estará libre de defectos en cuanto a materiales y fabricación a partir de la fecha de compra según lo siguiente:

Piezas coladas de aluminio,	25-años (2 años para la pintura excluyendo la decoloración)
Cubierta de acero inoxidable,	25-años
Cubierta porcelanizada,	25-años
Tubos de acero inoxidable de los quemadores,	10-años
Parrillas de cocción de acero inoxidable,	5-años sin perforación por fuego u oxidación
Barras Flavorizer® de acero inoxidable,	5-años sin perforación por fuego u oxidación
Parrillas de cocción de hierro colado porcelanizado,	5-años sin perforación por fuego u oxidación
Parrillas de cocción porcelanizadas,	3-años sin perforación por fuego u oxidación
Barras Flavorizer® porcelanizadas,	2-años sin perforación por fuego u oxidación
Quemador infrarrojo del asador giratorio,	2-años
Todas la demás partes,	2-años

cuando se ensambla y opera de acuerdo a las instrucciones impresas que la acompañan. Weber pudiese requerir prueba razonable de la fecha de compra. POR LO TANTO, DEBERÁ GUARDAR SU RECIBO O FACTURA DE VENTA.

Esta garantía limitada está limitada a la reparación o reemplazo de piezas que resultasen defectuosas bajo uso y servicio normal y las cuales al examinarse indiquen, a plena satisfacción de Weber, que efectivamente son piezas defectuosas. Antes de devolver cualquier parte, contacte al Representante de Atención al Cliente en su área, cuya información de contacto la encontrará en nuestro sitio web. Si Weber confirma el defecto y aprueba el reclamo, ésta elegirá reparar o reemplazar tal pieza sin cargo alguno. Si usted tiene que retornarnos las partes defectuosas, los gastos de transporte deben ser prepagados. Weber retornará las partes al comprador con transporte o franqueo prepagado.

Esta Garantía Limitada no cubre ninguna falla o problema de operación a causa de accidentes, abuso, mal uso, alteración, uso en aplicaciones indebidas, vandalismo, instalación inapropiada o mantenimiento o servicio inapropiados, o por no llevar a cabo el mantenimiento normal y rutinario, entre los que se incluyen, pero sin limitación, los daños causados por insectos dentro de los tubos quemadores, según se detalla en este manual del propietario.

Esta Garantía Limitada no cubre el deterioro o daños a causa de condiciones de tiempo inclemente tales como granizo, huracanes, terremotos o tornados ni tampoco la decoloración por exposición a sustancias químicas bien sea por contacto directo o por que las mismas contenidas en la atmósfera.

No existe ninguna otra garantía expresa que no sean las acá indicadas y cualesquier garantías implícitas de comerciabilidad y aptitud de uso están limitadas en duración al tiempo de cobertura de esta expresa Garantía Limitada por escrito. Algunas regiones no permiten limitación alguna en el tiempo que una garantía implícita pueda durar, por lo que esta limitación pudiera no aplicarle a usted.

Weber no se hace responsable de cualesquier daños especiales, indirectos o emergentes. Algunas regiones no permiten la exclusión o limitación de daños incidentales o emergentes, por lo que esta limitación o exclusión pudieran no aplicarle a usted.

Weber no autoriza a persona o empresa alguna a asumir en su nombre ninguna obligación o responsabilidad en relación con la venta, instalación, uso, retiro, devolución o reemplazo de sus equipos, y ninguna tal representación será vinculante para Weber.

Esta Garantía aplica solo a aquellos productos vendidos al por menor.

#### WEBER-STEPHEN PRODUCTS CO.

Customer Service Center  
1890 Roselle Road, Suite 308  
Schaumburg, IL 60195  
USA

Para partes de repuesto llame a:  
1-800-446-1071  
[www.weber.com](http://www.weber.com)®

Para compras hechas en México  
WEBER-STEPHEN PRODUCTS S.A. de C.V.  
Marcella No. 338,  
Colonia Americana  
44160 México, C.P.  
México

Para partes de repuesto llame a:  
(52) (33) 3615-0736  
[www.weber.com](http://www.weber.com)®

Visite [www.weber.com](http://www.weber.com)®, seleccione su país de origen y registre su barbacoa hoy. ♦

La barbacoa de gas Weber® es un aparato portable para cocinar al aire libre. Con la barbacoa de gas Weber® usted puede asar de manera convencional, a la barbacoa, y al horno con unos resultados que son difíciles de duplicar con los artefactos de cocina de la casa. La tapa cerrada y las barras Flavorizer® le dan a la comida ese sabor a "aire libre".

La barbacoa de gas Weber® es portable por lo que usted puede reubicarla fácilmente de sitio en su jardín o patio. La portabilidad significa que, si usted se muda, se puede llevar su barbacoa de gas Weber® consigo.

El suministro de gas natural es fácil de usar y le da a usted más control al cocinar que el carbón.

- Estas instrucciones le indicarán los requisitos mínimos para ensamblar su barbacoa de gas Weber®. Por favor lea cuidadosamente las instrucciones antes de utilizar su barbacoa de gas Weber®. Un ensamblaje incorrecto puede ser peligroso.
- No debe ser usado por niños.
- Si hubiesen códigos locales que aplicasen a las barbacoas de gas portátil, usted deberá acatarlos. La instalación debe cumplir con los códigos locales o, en ausencia de estos, bien sea con el "Código nacional de gas combustible"; ANSI Z223.1/NFPA 54, el "Código de instalaciones de gas natural y propano"; CSA B149.1, o el "Código de manipulación y almacenaje de propano"; B149.2, o la "Norma para vehículos recreativos"; ANSI A 119.2/NFPA 1192, y CSA Z240 RV Series, "Código para vehículos recreativos", según corresponda.
- Esta barbacoa de gas Weber® está diseñada para ser usada solamente con gas natural (en las ciudades, suministrado a través de tuberías). No utilice gas propano licuado embotellado. Las válvulas, los orificios, la manguera y regulador son aptos solamente para el gas natural.
- No la use con carbón.
- Asegúrese de que el área debajo del panel de control y la bandeja inferior no tenga desechos que pudiesen obstruir el flujo de aire de combustión o de ventilación.

Para compras hechas en México

- Si hubiese códigos locales que se aplicasen a los asadores de gas portátiles, usted deberá cumplir con la más reciente edición de NOM. ♦

## INSTALACIÓN CANADIENSE

Esta instrucciones, aunque de manera general son aceptables, no necesariamente cumplen con los códigos de instalación canadienses, en particular en lo que respecta a tuberías bajo y sobre tierra. En Canadá la instalación de este artefacto debe cumplir con los códigos locales y/o la Norma CSA-B149,1 ("Código de instalación de artefactos y equipos que queman gas natural"). ♦

## ALMACENAJE

- Cuando la barbacoa de gas Weber® no esté usándose, el suministro de gas debe cerrarse.
- Cuando la barbacoa de gas Weber® sea almacenada bajo techo, el suministro de gas debe desconectarse.
- Antes de usarla, se deberá verificar que la barbacoa de gas Weber® no tenga fugas de gas ni obstrucciones en los tubos de los quemadores. (Vea la sección: "Mantenimiento/Mantenimiento anual").
- Asegúrese de que el área debajo del panel de control y la bandeja inferior corredera no tengan desechos que pudiesen obstruir el flujo de aire de combustión o de ventilación.
- También deberá revisarse que la malla contra arañas e insectos no esté obstruida. (Vea la sección: "Mantenimiento/Mantenimiento anual"). ♦

## OPERACIÓN

- ⚠ **ADVERTENCIA:** Sólo use esta barbacoa al aire libre en un área bien ventilada. No la use en un garaje, edificio, pasadizo techado o en cualquier otra área cerrada.
- ⚠ **ADVERTENCIA:** Su barbacoa de gas Weber® no deberá usarse debajo de un techo combustible.
- ⚠ **ADVERTENCIA:** La barbacoa de gas Weber® no ha sido diseñada para instalarse en o sobre vehículos y/o botes recreativos.
- ⚠ **ADVERTENCIA:** No utilice la barbacoa a una distancia menor de 24 pulgadas (60 cm) de materiales combustibles. Esto incluye la parte superior, inferior, posterior y lateral de la barbacoa.
- ⚠ **ADVERTENCIA:** La caja de cocción entera se calienta al usarse. No la deje desatendida.
- ⚠ **ADVERTENCIA:** Mantenga a cualquier cordón eléctrico y a la manguera de suministro de gas alejados de toda superficie caliente.
- ⚠ **ADVERTENCIA:** Mantenga el área de cocinar libre de vapores y líquidos inflamables tales como gasolina, alcohol, etc. y de materiales combustibles. ♦

## PRUEBAS A LA LÍNEA DE SUMINISTRO DE GAS

- Desconecte su barbacoa de gas Weber® cuando se esté probando el suministro de gas altas presiones. El artefacto y su válvula de cierre propia deben ser desconectados del sistema de tubería del suministro de gas durante cualesquiera pruebas a presión de dicho sistema en exceso de 1/2 psig (3.5 kPa).
- Apague la barbacoa de gas Weber® cuando se esté probando el suministro de gas a bajas presiones. Durante cualquier prueba de presión del sistema de tuberías de suministro de gas a una presión igual o menor de 1/2 psig (3.5 kPa), este artefacto debe aislarse de dicho sistema de tuberías cerrando la válvula de cierre manual del mismo. ♦

# INSTRUCCIONES PARA EL GAS

## INSTALE EL SUMINISTRO DE GAS

### Especificaciones generales de la tubería

**Nota: Póngase en contacto con su municipalidad para obtener los códigos de construcción que regulan las instalaciones de barbacoas de gas al aire libre. Si no existiesen códigos locales, usted deberá cumplir con la más reciente edición del "Código nacional de gas combustible": ANSI Z 223.1/NFPA 54, o CAN/CGA-B149.1, "Código para las instalaciones de gas natural y propano". LE RECOMENDAMOS QUE ESTA INSTALACIÓN SEA REALIZADA POR UN PROFESIONAL.**

Algunos de los datos indicados a continuación son requisitos generales tomados de la más reciente edición del "Código nacional de gas combustible." ANSI Z 223.1/NFPA 54, o CAN/CGA-B149.1, "Código nacional de gas combustible," para las especificaciones completas.

- Esta barbacoa está diseñada para operar a una presión de 4.5 pulgadas de columna de agua (0.163 psi).
- Al aire libre, deberá instalarse una válvula de cierre manual inmediatamente delante del desconectador rápido.
- Bajo techo, deberá instalarse una válvula de cierre manual adicional en la línea de derivación de combustible, en un sitio accesible cerca de la línea de suministro.
- El desconectador rápido se conecta a una rosca NPT de 1/2 pulg.c proveniente de la fuente de gas. El desconectador rápido es un dispositivo operado manualmente que al desconectar la barbacoa automáticamente cierra el flujo de gas proveniente de la fuente.
- El desconectador rápido puede conectarse horizontalmente o hacia abajo. El instalar este accesorio con el extremo abierto hacia arriba puede resultar en la acumulación de agua y suciedad.
- Las tapas guardapolvo (los tapones de plástico suministrados) ayudan a mantener limpios a los extremos abiertos de los desconectadores rápidos mientras estos estén desconectados.
- Al realizar las conexiones, se deberá usar un compuesto para tubería que sea resistente a la acción del gas natural.
- El conector al aire libre debe estar fijado firmemente a una construcción rígida y permanente.

**⚠ ADVERTENCIA: No pase la manguera de 10 pies por debajo de un piso. La manguera debe estar visible.**

### Instalación de la tubería de gas

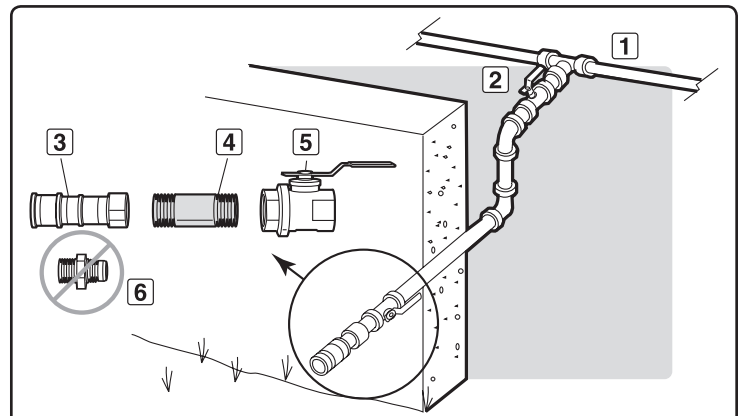
- Si la longitud de tubería requerida no excede los 50 pies, use una tubería de 5/8" de diámetro externo. La siguiente medida mayor deberá utilizarse para longitudes mayores de 50 pies.
- La tubería de gas puede ser de tubos de cobre, tipo K o L; tubos de plástico de polietileno, con un espesor de pared mínimo de 0,062 pulgadas; o tubos de acero o hierro dulce de peso estándar (cédula 40).
- Los tubos de cobre deben estar revestidos de estaño si el gas contiene más de 0.3 gramos de sulfuro de hidrógeno por 100 pies cúbicos de gas.
- Los tubos de plástico son aptos sólo para uso subterráneo al aire libre.
- La tubería de gas en contacto con tierra, o cualquier otro material que pudiera corroerla, debe protegerse contra la corrosión de una manera aprobada.
- La tubería subterránea debe tener una cubierta de tierra de por lo menos 18 pulgadas.

### Prueba de las conexiones

Toda conexión y junta debe probarse a fondo para detectar la posible presencia de fugas de acuerdo con los códigos locales y todos los procedimientos enumerados en la edición más reciente del "Código nacional de gas combustible": ANSI Z 223.1/NFPA 54, o CAN/CGA-B149.1

### ⚠ PELIGRO

**No utilice una llama abierta para comprobar si existen fugas de gas. Asegúrese de que no haya chispas o llamas abiertas en el área mientras comprueba si existen fugas. Chispas o llamas causarían un fuego o explosión, las cuales pueden causar serias lesiones corporales o la muerte, y daños a la propiedad. ♦**



**Esto es una instalación típica de gas natural de los asadores Weber®. Los códigos locales pueden requerir distintas instalaciones.**

### DENTRO DE LA PARED

1	Suministro de gas	2	Cierre valvula
---	-------------------	---	----------------

### FUERA DE LA PARED

3	Desconexión rapida	4	Niple de 1/2 Pipe
5	Cerradura o llave de cerrar	6	No utilice

# INSTRUCCIONES PARA EL GAS

## TIPO DE GAS:

Su barbacoa de gas natural está construida de fábrica para operar solamente con gas natural. Nunca trate de operar la barbacoa con otros gases diferentes a los indicados en la placa de especificaciones de la misma.

Su barbacoa funciona a una presión de 4.5" de columna de agua. Si fuese necesario reemplazar la manguera, se requerirán partes especificadas por la fábrica. Consulte con su distribuidor local.

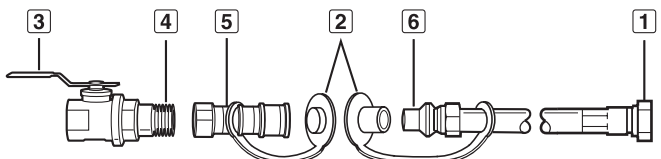
Por razones de seguridad y de diseño, no se permite la conversión de una barbacoa Weber® que opera con gas natural para que opere con gas propano licuado. ♦

## ¿QUÉ ES EL GAS NATURAL?

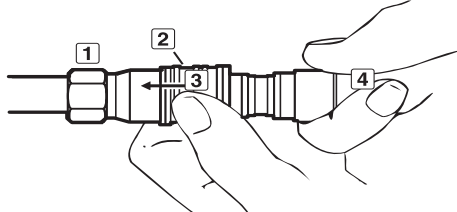
El gas natural, a menudo denominado metano, es un combustible moderno seguro. El gas natural es suministrado por empresas de servicio público y debería tenerlo disponible si la calefacción de su casa funciona con gas. ♦

## INSTALACIÓN TRANSPORTABLE

Weber® recomienda mover la barbacoa por los menos a dos pies (60 cm) del punto de suministro de gas o de cualquier superficie combustible. Después de haber tendido el suministro de gas y haberse verificado la ausencia de fugas de acuerdo con las instrucciones de ensamblaje, usted estará listo para empezar a asar. Para conectar la manguera al suministro de gas, hale hacia atrás el adaptador externo, inserte el adaptador de la manguera totalmente hacia adentro, y suelte el adaptador externo. Este proceso producirá una junta de gas. ♦



1	Conexión giratoria
2	Instale las cubiertas cuando la manguera esté desconectada.
3	Válvula de cierre
4	Recubra este niple con barniz de tubería resistente al gas
5	Receptáculo
6	Conexión macho

1	Receptáculo
2	Manga
3	Empuje la manga hacia atrás
4	Enchufe

Empuje el enchufe hasta que la manga salte hacia adelante inmovilizándolo en el receptáculo.  
(Esto automáticamente abre el gas.)

Cuando está correctamente ensamblado, el enchufe no puede sacarse sin empujar la manga hacia atrás.

Para desconectar, empuje la manga hacia atrás y hale el enchufe hacia afuera.  
(Esto automáticamente cierra el gas.)

# INSTRUCCIONES PARA EL GAS

## PREPARACIÓN PARA LA DETECCIÓN DE FUGAS

### Cerciórese de que todas las válvulas estén cerradas

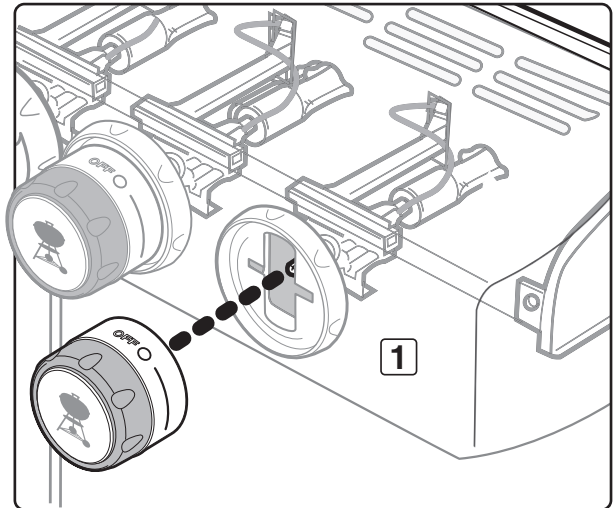
Las válvulas son despachadas cerradas (en la posición OFF), pero usted deberá asegurarse de que estén cerradas. Verifíquelo presionandolas y girándolas en dirección de las agujas del reloj. Si sí giran continúe girándolas en dirección de las agujas del reloj hasta parar; en ese momento están cerradas.

**⚠ ADVERTENCIA:** Las conexiones de gas de su barbacoa de gas Summit® han sido probadas en la fábrica. Le recomendamos, sin embargo, que inspeccione todas las conexiones de gas antes de operar la barbacoa de gas Summit®.

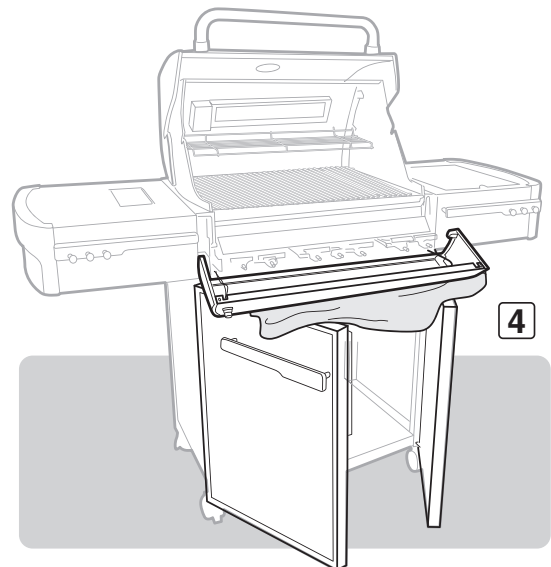
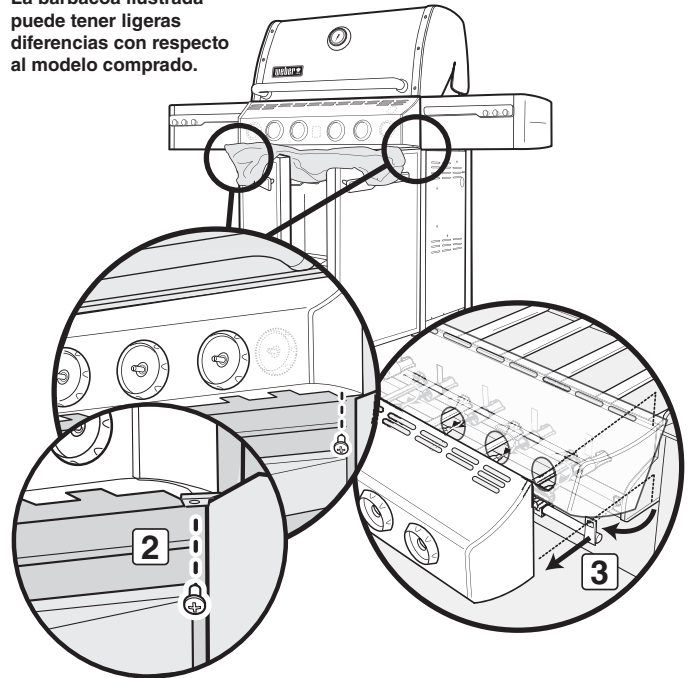
### Retire el panel de control

Partes requeridas: Destornillador Phillips y una toalla.

- A) Retire las perillas de control del quemador (1).
- B) Abra ambas puertas y coloque una toalla sobre la parte superior de las mismas. Esto evitará que el panel de control y las partes superiores de las puertas se rayen en el próximo paso.
- C) Con un destornillador Phillips, retire los tornillos del lado inferior del panel de control (2).
- D) Incline el panel de control hacia adelante y en dirección contraria a la barbacoa (3).
- E) Coloque el panel de control sobre la toalla que cubre los ensamblajes de la puertas (4). ♦



La barbacoa ilustrada puede tener ligeras diferencias con respecto al modelo comprado.





## REVISE LA MANGUERA FLEXIBLE QUE VA A LA CONEXIÓN DEL MÚLTIPLE

La manguera de gas natural fue conectada durante el proceso de fabricación. Antes de poner a funcionar la barbacoa, recomendamos que a la manguera que va a la conexión del múltiple de gas se le hagan pruebas de fuga de gas siguiendo las pautas indicadas en este Manual del Propietario. ♦

## DETECCIÓN DE FUGAS DE GAS

### ⚠ PELIGRO

**No utilice una llama abierta para comprobar si existen fugas de gas. Asegúrese de que no haya chispas o llamas abiertas en el área mientras comprueba si existen fugas. Chispas o llamas causarán un fuego o explosión, las cuales pueden causar graves lesiones corporales o la muerte, y daños materiales.**

*Nota: Todas las conexiones hechas en la fábrica han sido revisadas a fondo para asegurar que no existan fugas. Los quemadores han sido probados con las llamas encendidas. Como medida de precaución, sin embargo, usted deberá volver a revisar todas las conexiones en busca de fugas antes de utilizar su barbacoa de gas Weber®. Durante el manejo y despacho puede haberse aflojado o dañado alguna conexión de gas.*

**⚠ ADVERTENCIA: Las conexiones de gas de su barbacoa de gas han sido probadas en la fábrica. Le recomendamos que inspeccione todas las conexiones de gas antes de operar la barbacoa de gas.**

**⚠ ADVERTENCIA: Lleve a cabo estos chequeos de fugas aun y cuando su barbacoa haya sido ensamblada por el distribuidor o en la tienda donde la compró.**

Si la barbacoa cuenta con un quemador lateral asegúrese de que éste esté apagado.

Para realizar la comprobación de que no existen fugas: Deslice hacia atrás el collarín de la desconexión rápida (1). Empuje la conexión macho del regulador dentro de la desconexión rápida y mantenga la presión. Deslice el collarín hasta cerrarlo (2). Si no se engancha o tranca, repite el procedimiento. El gas no fluirá a menos que la desconexión rápida este debidamente conectada. Abra el suministro de gas.

**⚠ ADVERTENCIA: No encienda los quemadores mientras esté verificando la existencia de fugas.**

Usted necesitará: una solución de agua y jabón y un trapo o una brocha para aplicarla.

- A) Mezcle agua y jabón.
- B) Abra el suministro de gas.
- C) Compruebe la existencia de fugas mojando las conexiones con la solución de agua y jabón y viendo si se generan burbujas. Si se forman burbujas, o si una burbuja crece, es que hay una fuga.

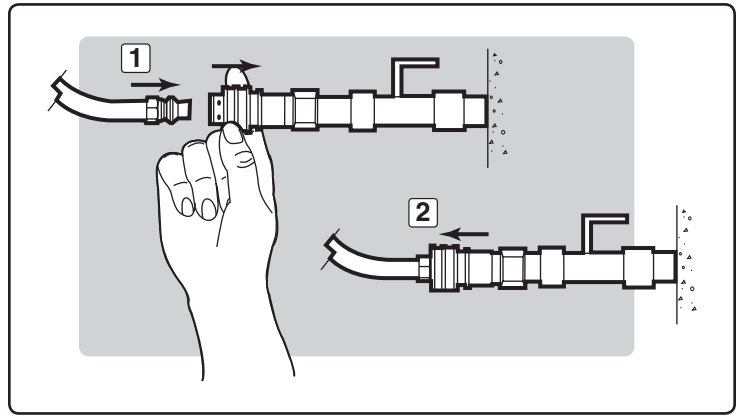
**Si hay una fuga, cierre el gas y apriete la conexión. Abra el gas de nuevo y con la solución de jabón y agua vuelva a verificar que no existan fugas.**

**Si la fuga no cesa no utilice la barbacoa. Contacte al Representante de Servicios al Cliente en su área utilizando la información de contacto en nuestro sitio web. Conéctese a [www.weber.com](http://www.weber.com).**

- D) Cuando se haya completado la comprobación de las fugas de gas, cierre el suministro de gas en la fuente y lave las conexiones con agua.

*Nota: Dado que algunas soluciones para la detección de fugas, incluyendo el agua y jabón, pueden ser ligeramente corrosivas, todas las conexiones deberán enjuagarse con agua después de realizar la comprobación de las fugas.*

**⚠ ADVERTENCIA: Cada vez que conecte o desconecte una conexión de gas, deberá verificar que no hayan fugas de gas.**



# INSTRUCCIONES PARA EL GAS

## Verifique:

- A) La conexión de la línea de gas principal al múltiple (1).
- B) La conexión de la línea de gas al quemador del asador giratorio (quemador infrarrojo) (2).
- C) La conexión de la manguera de suministro de gas y el pasamuros (3).
- D) La conexión del pasamuros al regulador (4).
- E) La conexión del regulador a la manguera (5).

**⚠ ADVERTENCIA: Si hay una fuga en la conexión (1, 2, 3, 4, o 5), vuelva a apretar la conexión con una llave y vuelva a revisarla con la solución de agua y jabón.**

**Si una fuga persiste aun después de volver a apretar la conexión, cierre el gas. NO OPERE LA BARBACOA. Contacte al Representante de Atención al Cliente usando la información de contacto en nuestro sitio web. Conéctese a [www.weber.com](http://www.weber.com).**

- F) La conexión del pasamuros a la manguera del quemador lateral (6).
- G) La conexión de la manguera del quemador lateral a las conexiones del desconectador rápido, de la válvula del quemador lateral y de los orificios (7).
- H) La conexión de la manguera al desconectador rápido (8).
- I) Las conexiones de las válvulas al múltiple (9).

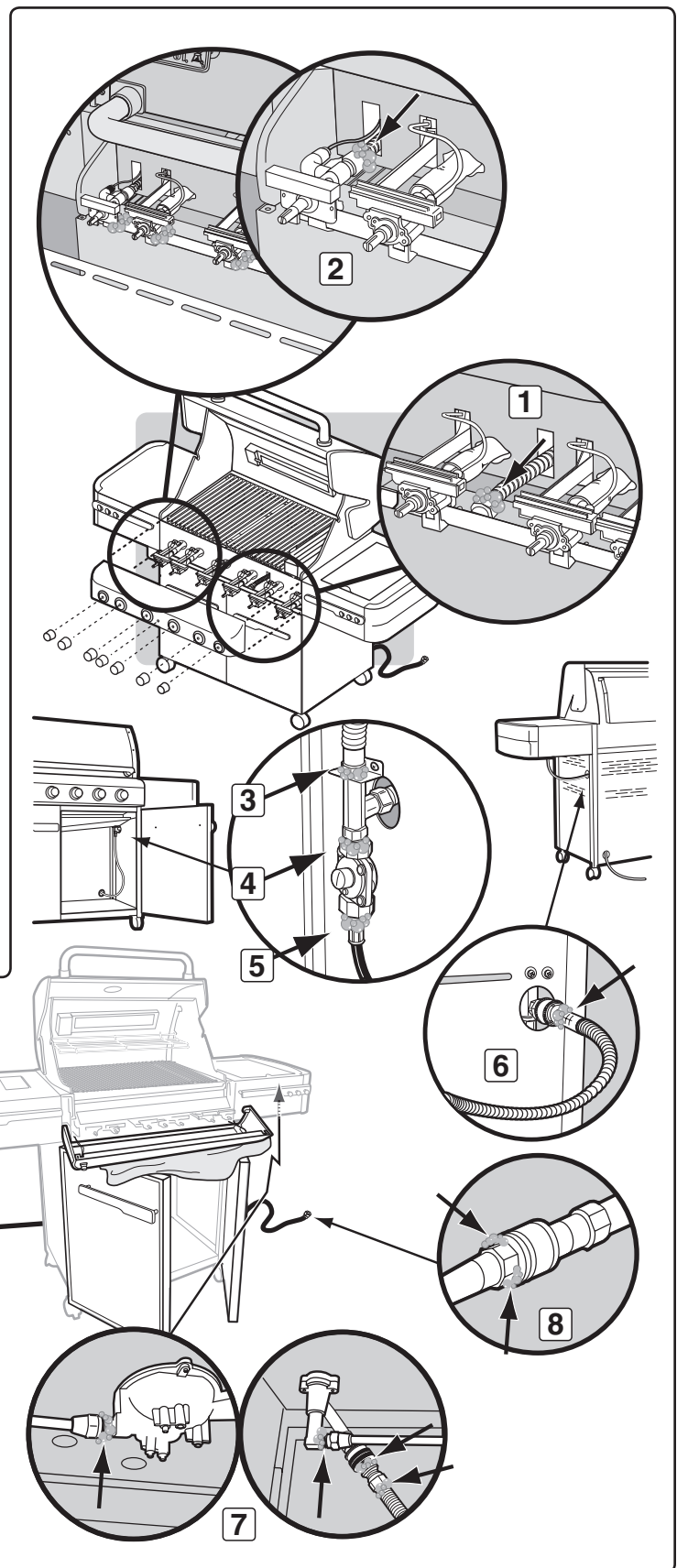
**⚠ ADVERTENCIA: Si hubiese una fuga en las conexiones (6, 7, 8, o 9), cierre el gas. NO OPERE LA BARBACOA. Contacte al Representante de Atención al Cliente usando la información de contacto en nuestro sitio web. Conéctese a [www.weber.com](http://www.weber.com).**

Cuando se haya completado la detección de fugas de gas, cierre el suministro de gas en la fuente y lave las conexiones con agua.

## Vuelva a instalar el panel de control

Partes requeridas: panel de control, tornillos y perillas de control del quemador.

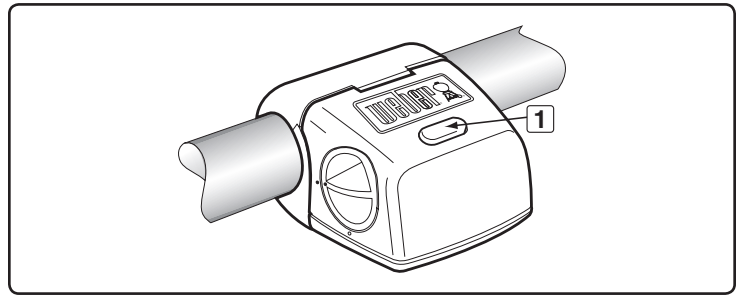
- A) Coloque el panel de control de vuelta sobre los soportes del mismo a cada lado del frente de la caja de cocción.
- B) Alinee los tornillos con los sus respectivos agujeros tanto en el panel de control como en los soportes de este último. Apriete los tornillos.
- C) Introduzca las perillas de control correspondientes en los vástagos de las válvulas. ♦



## FUNCIONES DE LUZ

### LÁMPARA DEL ASA WEBER® GRILL OUT™

La lámpara del asa Weber Grill Out™ cuenta con un "sensor de inclinación". Con el botón de encendido (1) activado, la luz se encenderá al abrirse la tapa. La luz se apagará al cerrar la tapa. Para usarse durante el día, desactive al sensor pulsando el botón de encendido (1). ♦

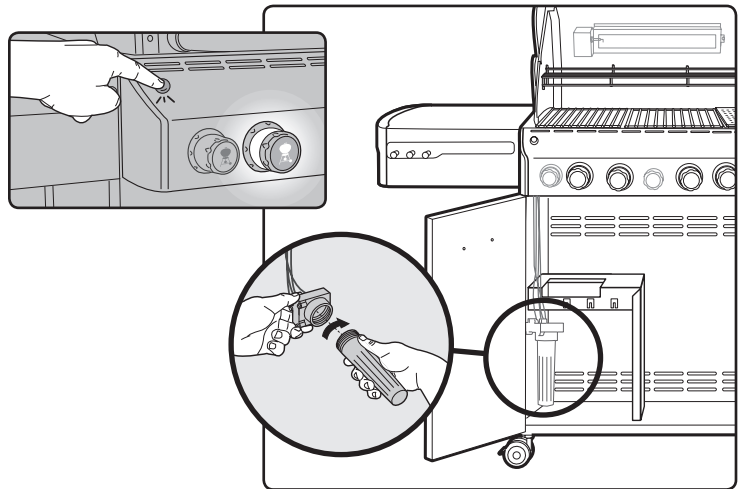


### PERILLAS DE CONTROL ILUMINADAS

La barbacoa de gas viene con perillas de control que se iluminan; ello le permite ajustar finamente el calor, incluso bajo condiciones de poca luz.

Requiere 3 baterías alcalinas "D". No mezcle baterías nuevas con viejas o diferentes tipos de baterías entre sí (normales, alcalinas o recargables). El compartimiento de las baterías está ubicado dentro del gabinete en el lado izquierdo.

Para operarlas, active el botón de encendido. ♦



## ANTES DE UTILIZAR LA BARBACOA

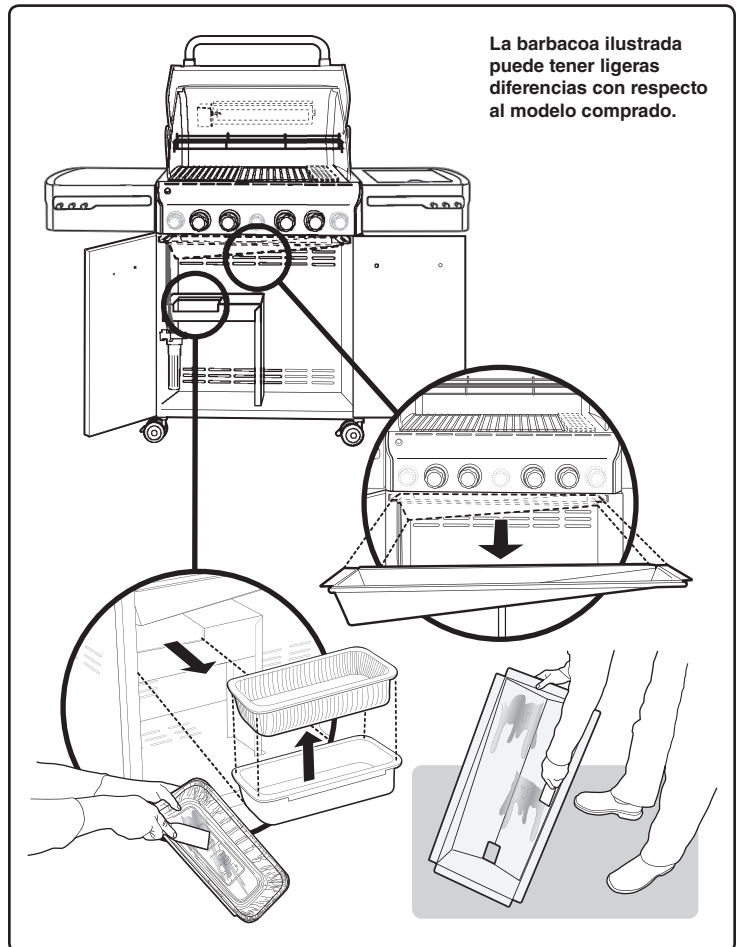
### BANDEJA CORREDIZA RECOLECTORA DE GRASA Y BANDEJA DESECHABLE DE GOTEO

La barbacoa lleva incorporada un sistema de captación de grasa. Cada vez que vaya utilizar la barbacoa, revise la bandeja corrediza recolectora de grasa y la bandeja desechable de goteo para cerciorarse de que no se haya acumulado grasa en las mismas.

Retire el exceso de grasa con una espátula plástica; vea a la ilustración. Cuando sea necesario, lave la bandeja de grasa y la bandeja del goteo con una solución de agua y jabón, y luego enjuáguelas con agua limpia. Reemplace la bandeja desechable de goteo en la medida que sea necesario.

⚠ **ADVERTENCIA:** Cada vez que vaya utilizar la barbacoa, revise la bandeja corrediza recolectora de grasa y la bandeja desechable de goteo para cerciorarse de que no se haya acumulado grasa en las mismas. Retire cualquier exceso de grasa para evitar un incendio de grasa. Un incendio de grasa puede causar lesiones corporales graves o daños materiales.

⚠ **PRECAUCIÓN:** No forre la bandeja corrediza recolectora de grasa con hoja de aluminio. ♦

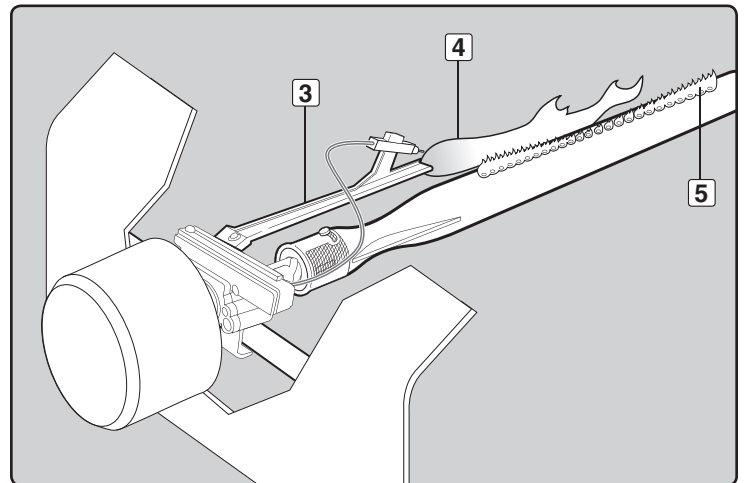
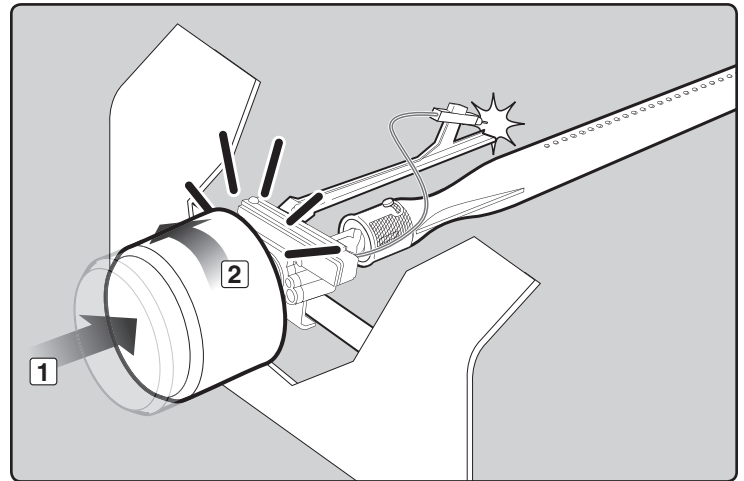


## OPERACIÓN DE ENCENDIDO CON CHASQUIDO

### ⚠ Siempre abra la tapa antes encender los quemadores.

- A) Cada perilla de control tiene su propio electrodo de encendido incorporado a ella. Para generar una chispa debe presionar la perilla de control (1) y girarla a encendido/fuego alto (2).
- B) Esta acción generará un flujo de gas y una chispa al tubo de encendido del quemador (3). Oirá un "chasquido" proveniente del encendedor. También verá una llama anaranjada de 3 - 5 de largo proveniente del tubo encendedor del quemador (4).
- C) **Mantenga presionada la perilla de control durante dos segundos adicionales después del "chasquido"**. Esto permitirá que el gas fluya a todo lo largo del tubo quemador (5) y se asegure el encendido.
- D) Verifique que el quemador esté encendido viendo a través de las parrillas de cocción. Deberá ver una llama. Si el encendedor no se encendiese al primer intento, presione la perilla de control y gírela a la posición apagada y repita el procedimiento una segunda vez.

⚠ **ADVERTENCIA: Si el quemador no se enciende, gire la perilla del control del quemador a la posición APAGADO y espere 5 minutos para permitir que el gas se disipe antes de tratar de nuevo o de tratar de encenderlo con un cerillo.** ♦



# ENCENDIDO Y USO DEL QUEMADOR PRINCIPAL

## ENCENDIDO DEL QUEMADOR PRINCIPAL

Dentro del puerta izquierda del gabinete se encuentran las instrucciones resumidas de encendido.

### ⚠ PELIGRO

El no abrir la tapa mientras se esté encendiendo el quemador de la barbacoa, o no esperar 5 minutos para que el gas se disipe si ésta no se enciende, puede resultar en una llamarada explosiva, la cual puede causar lesiones corporales serias o la muerte.

### Encendido rápido del quemador principal

*Nota: Cada perilla de control de encendido rápido crea una chispa que va del electrodo de encendido al tubo quemador de encendido. Al presionar la perilla de control y girarla a ENCENDIDO/FUEGO ALTO, usted genera la energía para la chispa. Esto encenderá cada quemador individual.*

⚠ **ADVERTENCIA: Inspeccione la manguera previo a cada uso de la barbacoa y asegúrese de que no tenga muescas, grietas, abrasiones o cortes. Si se encontrase que la manguera estuviese dañada de cualquier manera, no utilice la barbacoa. Reemplácela solamente con una manguera de repuesto autorizada por Weber®. Contacte al Representante de Servicios al Cliente en su área utilizando la información de contacto en nuestro sitio web. Conéctese a [www.weber.com](http://www.weber.com)®.**

- A) Abra la tapa (1).
- B) Asegúrese de que todas las perillas de control del quemador estén en la posición APAGADO. (Empuje la perilla de control hacia adentro y gire en dirección de las manecillas del reloj para asegurarse de que esté en la posición APAGADO) (2).
- C) Abra el suministro de gas en la fuente (3).

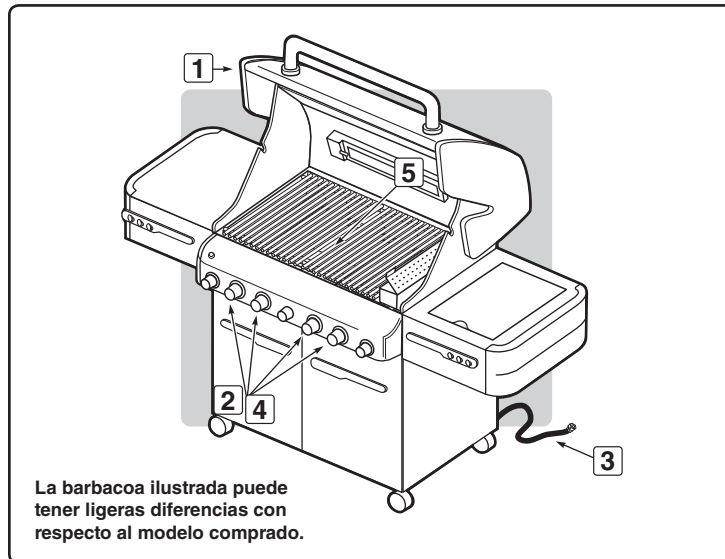
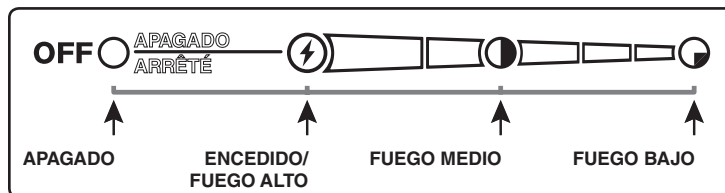
⚠ **ADVERTENCIA: No se incline sobre la barbacoa abierta.**

- D) Presione la perilla de control y gire hacia ENCENDIDO/FUEGO ALTO hasta que oiga el chasquido del encendedor - mantenga a la perilla de control en dicha posición durante dos segundos. Esta acción hará que el encendedor genere una chispa y encienda el tubo piloto y luego el quemador principal (4).
- E) Verifique que el quemador esté encendido viendo a través de las parrillas de cocción. Deberá ver una llama. Si el encendedor no se encendió al primer intento, presione la perilla de control y gírela a la posición APAGADO y repita el procedimiento una segunda vez (5).

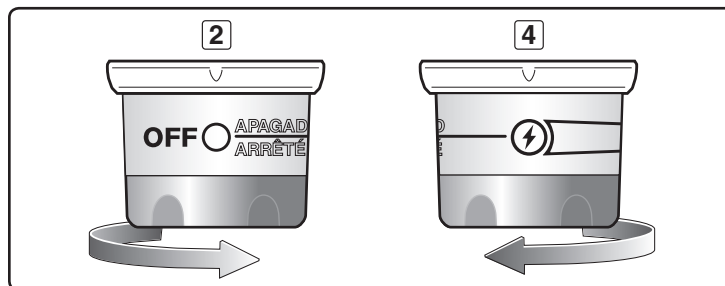
⚠ **ADVERTENCIA: Si el quemador no se encendiese, gire la perilla del control del quemador a la posición APAGADO y espere 5 minutos para permitir que el gas se disipe antes de tratar de nuevo o de tratar de encenderlo con una cerilla. ♦**

### PARA APAGAR

Presione y gire la perilla de control del quemador en dirección de las agujas del reloj a la posición APAGADO. Cierre el suministro de gas en la fuente del mismo. ♦



La barbacoa ilustrada puede tener ligeras diferencias con respecto al modelo comprado.



# ENCENDIDO Y USO DEL QUEMADOR PRINCIPAL

## ENCENDIDO MANUAL DEL QUEMADOR PRINCIPAL

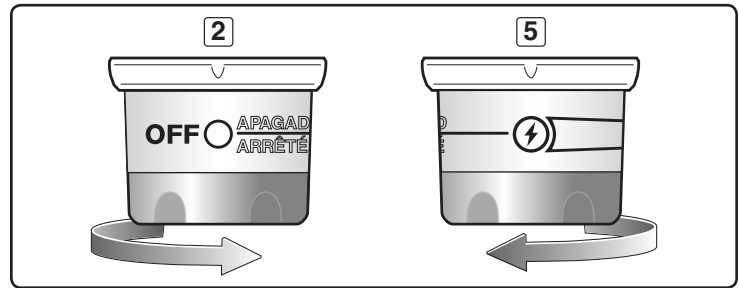
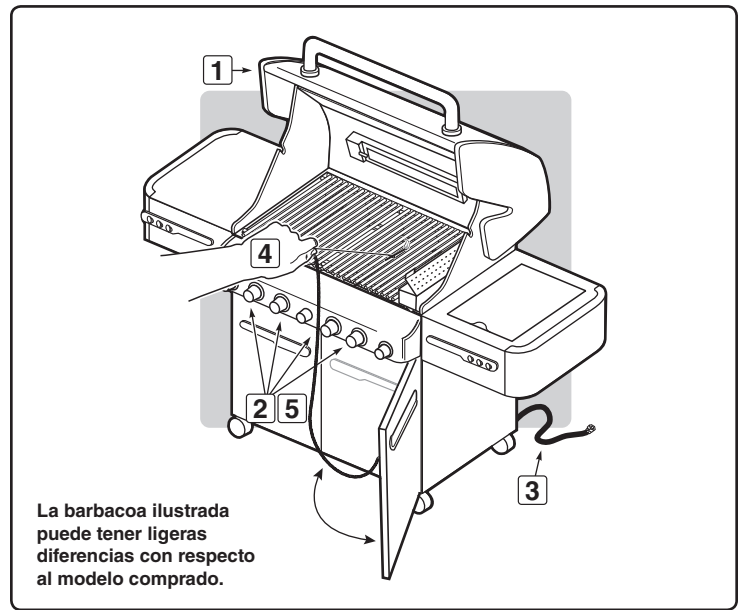
### ⚠ PELIGRO

El no abrir la tapa mientras se esté encendiendo el quemador de la barbacoa, o no esperar 5 minutos para que el gas se disipe si la barbacoa no se enciende, puede resultar en una llamarada explosiva, la cual puede causar lesiones corporales serias o la muerte.

- A) Abra la tapa (1).
- B) Asegúrese de que todas las perillas de control de los quemadores estén en la posición APAGADO. (Presione cada perilla y gírela en dirección de las agujas del reloj para asegurarse de que estén cerradas en la posición APAGADO) (2).
- C) Abra el suministro de gas en la fuente (3).
- D) Coloque el cerillo en el portacerillos y enciéndalo.
- ⚠ **ADVERTENCIA: No se incline sobre la barbacoa abierta.**
- E) Inserte el portacerillos con el cerillo encendido a través de las parrillas de cocción y de las barras Flavorizer® para encender el quemador seleccionado (4).
- F) Presione la perilla de control del quemador y gírela hacia ENCENDIDO/ FUEGO ALTO (5).
- ⚠ **ADVERTENCIA: Si el quemador no se enciende, gire la perilla del control del quemador Delantero a la posición APAGADO y espere 5 minutos para permitir que el gas se disipe antes de tratar de nuevo.** ♦

### PARA APAGAR

Presione y gire la perilla de control del quemador en dirección de las agujas del reloj a la posición APAGADO. Cierre el suministro de gas en la fuente del mismo. ♦



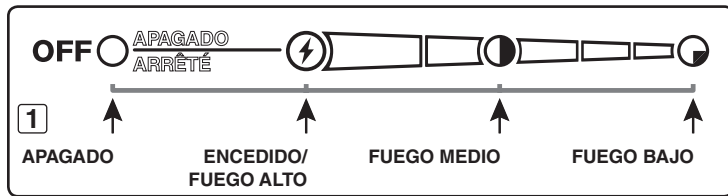


# CONSEJOS PRÁCTICOS PARA ASAR

*Nota: Si la barbacoa pierde calor mientras se está cocinando refiérase a la sección de resolución de problemas de este manual.*

**⚠ ADVERTENCIA: No mueva la barbacoa de gas Weber® mientras esté en operación o esté caliente.**

Puede ajustar los quemadores individuales a su gusto. Los ajustes de control (1) son encender/fuego alto, fuego medio, fuego bajo, y apagado.



*Nota: La temperatura dentro de la caja de cocción durante las primeras ocasiones en que se use, cuando las superficies aún serán bastante reflectoras, podrá estar más caliente de lo que se indica en su libro de recetas. Las condiciones bajo las que se esté cocinando, tales como el viento y el tiempo, pueden hacer que se requieran ajustes a los controles de los quemadores para obtener las temperaturas de cocción correctas.*

Si los quemadores se apagasen durante la cocción, apague todos los quemadores y espere 5 minutos antes de volver a encender.

**⚠ ADVERTENCIA: Antes de cada uso, cerciórese de que no haya grasa acumulada en el plato recolector y en la bandeja inferior. Retire el exceso de grasa para evitar que se incendie la bandeja inferior.**

## Precaentado

La barbacoa de gas Weber® es un artefacto que utiliza la energía eficientemente. La misma opera a una baja tasa de consumo calorífico. Es importante precalentar la barbacoa antes de asar. Encienda su barbacoa de gas Summit® de acuerdo con las instrucciones en este Manual del Propietario. Para precalentar: tras encender gire los quemadores a la posición encendido/alto fuego, cierre la tapa, y caliente hasta que la temperatura alcance entre 500° y 550° F (260° y 290 °C), la temperatura recomendada para asar. Esto tomará entre 10 y 15 minutos, dependiendo de tales condiciones como la temperatura del aire y el viento.

## Cocción cubierta

Todo asado deberá realizarse con la tapa cerrada para proporcionar un calor uniforme y con una circulación pareja. Con la tapa cerrada, la barbacoa de gas Summit® cocinará de manera muy parecida a un horno de convección. El termómetro en la tapa indica la temperatura de cocción dentro de la barbacoa. Todo precalentamiento y cocción se realiza con la tapa cerrada. Nada de miraditas - se pierde calor cada vez que usted abre la tapa.

## Pringues y grasa

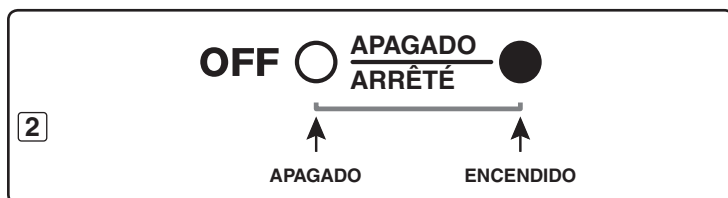
Las barras del Flavorizer® han sido diseñadas para "ahumar" la cantidad correcta de pringues y así obtener una cocción con bastante sazón. El exceso de pringues y grasa se acumulará en el plato recolector debajo de la bandeja deslizante inferior. Hay disponibles bandejas de goteo desechables que caben en el plato recolector.

## El sistema Flavorizer®

Cuando los jugos de carne chorrean de la comida a las barras Flavorizer® colocadas a un ángulo especial, estas crean un humo que le da a la comida una sazón a barbacoa irresistible. Gracias al diseño único de los quemadores, las barras Flavorizer® y los flexibles controles de temperatura, los fognazos descontrolados han sido virtualmente eliminados, pues USTED controla las llamas. Debido al especial diseño de las barras Flavorizer® y de los quemadores, las grasas en exceso son dirigidas a través de la bandeja en forma de embudo del fondo al plato recolector de grasa.

## Estación de dorado Sear Station®

La barbacoa de gas Weber® incluye un quemador de dorado para dorar carnes y pescados finamente cortados. El quemador de la estación para dorar Sear Station® tiene un ajuste de control de encendido y apagado (2) que funciona en conjunto con los dos quemadores principales adyacentes. Con los quemadores adyacentes y el quemador para dorar usted puede dorar las carnes de manera efectiva mientras usa otras zonas de cocción para asar bajo calor moderado (ver la sección "ENCENDIDO Y USÓ DE LA ESTACIÓN DE DORADO SEAR STATION®").



- Siempre precaliente la barbacoa antes de cocinar en la misma. Ajuste todos los quemadores a la posición llama alta y cierre la tapa, caliente durante 10 minutos, o hasta que el termómetro marque 500°-550° F (260°-288° C).
- Para alimentos siempre perfectamente asadas, dore la carnes y cocine con la tapa cerrada.
- Los tiempos de asado en las recetas son en base a una temperatura ambiental de 70° F (20° C) y poco o ningún viento. Permita un mayor tiempo de cocción en días fríos o de viento, o a mayores altitudes. Permita menos tiempo de cocción en climas extremadamente calurosos.
- Los tiempos pueden variar a causa del clima, o la cantidad, tamaño y forma de los alimentos asados.
- La temperatura de operación de la barbacoa de gas podría ser más caliente de lo normal durante los primeros usos.
- Las condiciones de asado pueden requerir el ajuste de los controles de los quemadores para obtener las temperaturas de cocción correctas.
- Por lo general, las piezas de carne más grandes requerirán mayor tiempo de cocción por libra que las piezas más chicas. Los alimentos abarrotados sobre una parrilla de cocción requerirán de más tiempo de cocción que sólo unos pocos alimentos. Los alimentos asados dentro de recipientes, tales como judías en salsa de tomate, tomarán más tiempo si se cocinan en una cacerola profunda que en una olla llana.
- Recorte el exceso de grasa de los bistecs, chuletas y asados, dejando apenas ¼ de pulgada (6.4 mm) de grasa. Menos grasa facilita la limpieza, y es una garantía casi absoluta contra las indeseadas llamaradas.
- Los alimentos colocados sobre la parrilla de cocción directamente encima de los quemadores pudieran requerir que se les dé la vuelta o que se les mueva a un área menos caliente.
- Use tenacillas en vez de un tenedor para dar vuelta y manipular las carnes para así evitar perder los jugos naturales. Use dos espátulas para manipular un pescado entero grande.
- Si llegase a ocurrir alguna llamarada indeseada, apague todos los quemadores y mueva los alimentos a otra zona de la parrilla de cocción. Cualquier llama se apagará rápidamente. Una vez que las llamas se apaguen, vuelva a encender la parrilla. JAMÁS USE AGUA PARA EXTINGUIR LAS LLAMAS EN UNA PARRILLA DE GAS.
- Algunos alimentos, tales como los guisos o los filetes delgados de pescado, requerirán de un recipiente para asarlos. Las ollas desechables de lámina son muy convenientes, pero puede usarse cualquier olla de metal con asas resistentes al calor.
- Asegúrese siempre de que la bandeja inferior y el plato recolector de grasa estén limpios y libres de desechos.
- No forre con hoja de aluminio a la bandeja inferior en forma de embudo. Ello pudiera prevenir que la grasa fluya al plato recolector de grasa.
- El usar un temporizador le ayudará a alertarle cuando "bien cocido" esté a punto de convertirse en "sobre cocido." ♦



# MÉTODOS DE COCCIÓN

Lo más importante que hay que saber acerca de asar es cual método de cocción usar para un alimento específico, el método Directo o Indirecto. La diferencia es sencilla: colocar los alimentos directamente sobre el fuego, o encender el fuego a cada lado de ellos. Usar el método correcto es la ruta más corta a resultados fabulosos - y la mejor manera de garantizar la seguridad de que esté bien cocido.

## COCCIÓN DIRECTA

El método directo, similar al asado, significa que los alimentos se cocinan directamente sobre la fuente de calor. Para una cocción pareja, los alimentos deberán voltearse una vez a la mitad del tiempo de asado. Use el método directo para alimentos que toman menos de 25 minutos en asarse: bistecs, chuletas, brochetas, salchichas, vegetales, y más.

La cocción directa también es necesaria para dorar las carnes. La doradura crea esa fabulosa textura crujiente y caramelizada donde el alimento toca la parrilla. También le da un gran color y sazón a toda la superficie. Los bistecs, chuletas, pechugas de pollo, y los cortes mayores de carne todos se benefician de la doradura.

Para dorar las carnes, colóquelas sobre fuego alto directo durante 2 a 5 minutos por lado. Las piezas menores requieren menos tiempo de doradura. Normalmente después de dorar se termina de asar los alimentos a una temperatura más baja. Puede asar aquellos alimentos que se cocinan rápido usando el método directo; utilice el método indirecto para los alimentos que tardan más en asarse.

Para poner a punto la parrilla para la cocción directa, precaliéntela con todos los quemadores en fuego alto. Coloque los alimentos sobre la parrilla de cocción y luego ajuste todos los quemadores a la temperatura indicada en la receta. Cierre la tapa de la barbacoa y levántela solamente para darle vuelta a los alimentos o comprobar cuán bien hecha está al final del tiempo recomendado de cocción. ♦

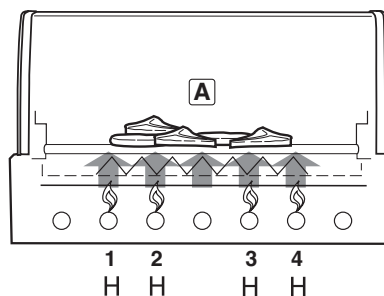
## COCCIÓN INDIRECTA

El método indirecto es similar al asado, pero con el beneficio adicional de esa textura, sazón, y apariencia de la comida a la parrilla que no se puede obtener en un horno. Para preparar la barbacoa para la cocción indirecta, se encienden los quemadores a cada lado de los alimentos pero no aquellos directamente debajo de ellos. El calor asciende, se refleja de la tapa y de las superficies internas de la parrilla, y circula para cocinar lentamente los alimentos de manera pareja por todos los lados, en forma muy similar a un horno de convección, por lo que no hay necesidad de voltearlos.

Utilice el método indirecto para los alimentos que requieran 25 minutos o más de tiempo de asado o que son tan delicados que la exposición directa a la llama los secaría o quemaría. Los ejemplos incluyen asados, costillas, pollos enteros, pavos, y otros cortes grandes de carne al igual que filetes delicados de pescado.

Para preparar la barbacoa de gas para la cocción indirecta, precaliéntela con todos los quemadores en FUEGO ALTO. Luego ajuste los quemadores de cada lado de los alimentos a la temperatura indicada en la receta y apague el (los) quemador(es) directamente debajo de ellos. Para los mejores resultados, coloque los asados, aves, o cortes grandes de carne sobre una rejilla de asar colocada dentro de una bandeja desechable de lamina gruesa. Para tiempos de cocción más largos, agregue agua a la bandeja de lámina para evitar que el chorreo de grasa se queme. El chorreo de grasa puede usarse para hacer salsa. ♦

### 4 QUEMADORES

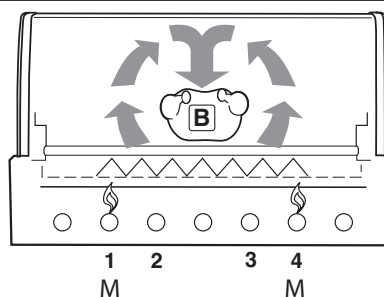


### MÉTODO DIRECTO

A

Los alimentos se colocan en el área de las parrillas de cocción directamente encima de los quemadores encendidos.

### 4 QUEMADORES



### MÉTODO INDIRECTO

B

Los alimentos se colocan en el área de las parrillas de cocción entre los quemadores indirectos.

# ENCENDIDO Y USO DEL QUEMADOR LATERAL

## ENCENDIDO DEL QUEMADOR LATERAL

### ⚠ PELIGRO

El no abrir la tapa mientras se esté encendiendo el quemador lateral, o no esperar 5 minutos para que el gas se disipe si el quemador lateral no se enciende, puede resultar en una llamarada explosiva, la cual puede causar lesiones corporales serias o la muerte.

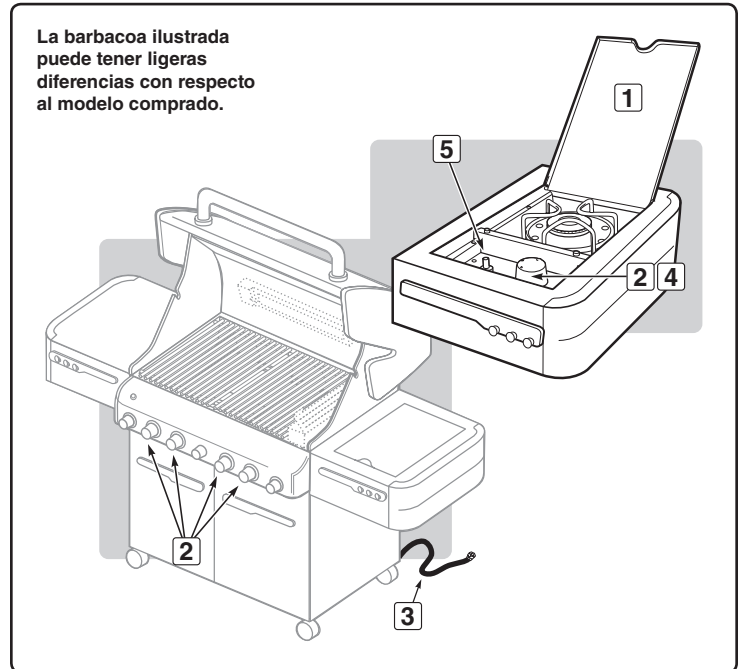
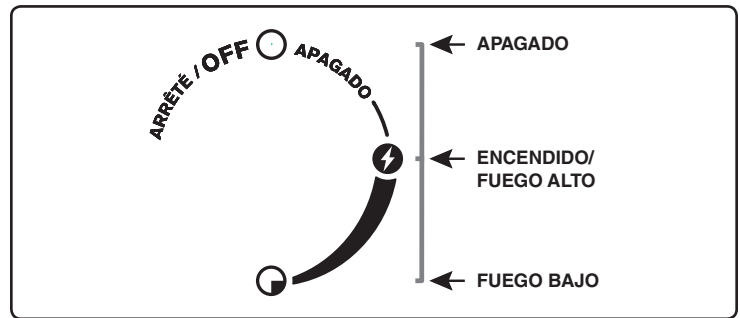
⚠ **ADVERTENCIA:** Inspeccione la manguera previo a cada uso de la barbacoa y asegúrese de que no tenga muescas, grietas, abrasiones o cortes. Si se encontrase que la manguera estuviese dañada de cualquier manera, no utilice la barbacoa. Reemplácela solamente con una manguera de repuesto autorizada por Weber®. Contacte al Representante de Servicios al Cliente en su área utilizando la información de contacto en nuestro sitio web. Conéctese a [www.weber.com](http://www.weber.com)®.

- A) Abra la tapa del quemador lateral (1).
- B) Verifique que la válvula del quemador lateral esté cerrada (empuje la perilla de control hacia adentro y gírela en dirección de las agujas del reloj para asegurar de que esté en la posición APAGADO), coloque todos los quemadores que no se estén usando en la posición APAGADO (empujando hacia adentro y girando en la dirección de las agujas del reloj) (2).
- C) Abra la válvula de suministro de gas (3).
- D) Presione y gire la válvula de control del quemador lateral a la posición FUEGO ALTO (4).
- E) Pulse el botón de encendido varias veces de manera que cada vez haga clic y hasta que vea una llama (5).

⚠ **PRECAUCIÓN:** En días soleados, la llama del quemador lateral puede ser difícil de ver.

⚠ **ADVERTENCIA:** Si el quemador lateral no se enciende en cinco segundos:

- a) Cierre la válvula de control del quemador lateral, los quemadores principales y el suministro de gas en la fuente.
- b) Espere cinco minutos para permitir que el gas se disipe antes de volver a tratar de de nuevo, o tratar de encender con un cerillo (vea “ENCENDIDO MANUAL DEL QUEMADOR LATERAL”). ♦



# ENCENDIDO Y USO DEL QUEMADOR LATERAL

## ENCENDIDO MANUAL DEL QUEMADOR LATERAL

### ⚠ PELIGRO

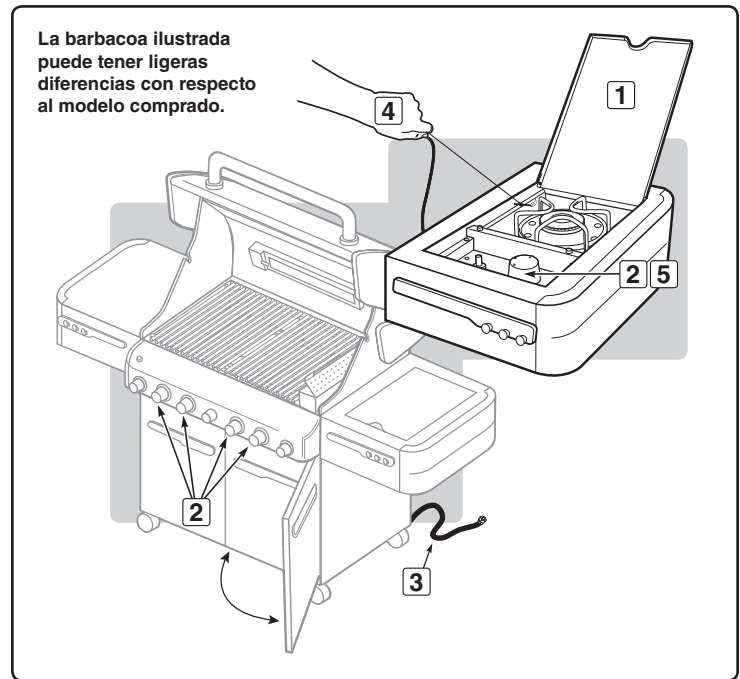
**El no abrir la tapa mientras se esté encendiendo el quemador lateral, o no esperar cinco minutos para que el gas se disipe si el quemador lateral no se enciende, puede resultar en una llamarada explosiva, la cual puede causar lesiones corporales serias o la muerte.**

- A) Abra la tapa del quemador lateral (1).
- B) Verifique que la válvula del quemador lateral esté cerrada (empuje la perilla de control hacia adentro y gírela en dirección de las agujas del reloj para asegurar de que esté en la posición APAGADO), coloque todos los quemadores que no se estén usando en la posición APAGADO (empujando hacia adentro y girando en la dirección de las agujas del reloj) (2).
- C) Abra la válvula de suministro de gas (3).
- D) Coloque un cerillo en el portacerillos y enciéndalo.
- E) Aguante el portacerillos y encienda con el cerillo cualquier lado del quemador lateral (4).
- F) Presione y gire la válvula de control del quemador lateral a la posición FUEGO ALTO (5).

**⚠ PRECAUCIÓN: En días soleados, la llama del quemador lateral puede ser difícil de ver.**

**ADVERTENCIA: Si el quemador lateral no se enciende en cinco segundos:**

- a) Cierre la válvula de control del quemador lateral, los quemadores principales y el suministro de gas en la fuente.
- b) Antes de probar de nuevo, espere cinco minutos para dejar que el gas se disipe. ♦



# ENCENDIDO Y USO DEL QUEMADOR DE LA ESTACIÓN DE DORAR SEAR STATION®

## ENCENDIDO DE LA ESTACIÓN DE DORADO SEAR STATION®

Instrucciones resumidas para el encendido se encuentran dentro de la puerta izquierda del gabinete.

### ⚠ PELIGRO

El no abrir la tapa mientras se esté encendiendo el quemador de la barbacoa, o no esperar 5 minutos para que el gas se disipe si la barbacoa no se enciende, puede resultar en una llamarada explosiva, la cual puede causar lesiones corporales serias o la muerte.

El quemador de la estación para dorar Sear Station® tiene un ajuste de control de encendido y apagado. Para encender el quemador de la estación para dorar Sear Station® debe primero encender los dos quemadores principales adyacentes.

### Encendido de acción rápida del quemador principal adyacente

*Nota:* La perilla de control de encendido de acción rápida de cada quemador principal genera una chispa desde el electrodo de encendido al tubo de encendido del quemador. Usted genera la energía para la chispa al empujar la perilla de control hacia adentro y girar a ENCENDIDO/FUEGO ALTO. Esto encenderá cada quemador individual.

⚠ **ADVERTENCIA:** Inspeccione la manguera previo a cada uso de la barbacoa y asegúrese de que no tenga muescas, grietas, abrasiones o cortes. Si se encontrase que la manguera estuviese dañada de cualquier manera, no utilice la barbacoa. Reemplácela solamente con una manguera de repuesto autorizada por Weber®. Contacte al Representante de Servicios al Cliente en su área utilizando la información de contacto en nuestro sitio web. Conéctese a [www.weber.com](http://www.weber.com).

- A) Abra la tapa (1).
- B) Asegúrese de que todas las perillas de control de los quemadores estén cerradas (2). (Empuje la perilla de control hacia adentro y gire en dirección de las agujas del reloj para asegurarse de que esté en la posición APAGADO)
- C) Abra el suministro de gas en la fuente (3).

⚠ **ADVERTENCIA:** No se incline sobre la barbacoa abierta.

- D) Encienda cada quemador principal adyacente a la estación para dorar Sear Station® empuje la perilla de control hacia adentro y gírela a ENCENDIDO/FUEGO ALTO hasta oír sonar el encendedor; mantenga el control en esa posición durante dos segundos. Esta acción hará que el encendedor chispee, encendiendo el tubo de encendido del quemador y luego el quemador principal. (4)
- E) Verifique que el quemador esté encendido viendo hacia abajo a través de las rejillas de cocción (5). Deberá ver una llama. Si el quemador no se enciende la primera vez, empuje la perilla de control hacia adentro y gírela a la posición APAGADO. Repita el procedimiento de encendido una segunda vez.

### Encendido de la estación de dorado Sear Station®: encendido por un quemador principal adyacente encendido

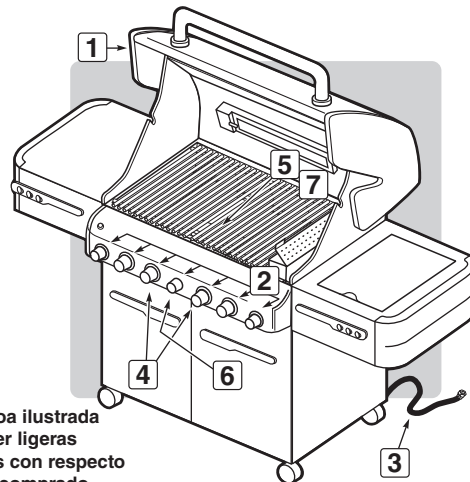
- F) Gire la perilla de control del quemador de la estación para dorar Sear Station® a la posición ON (encendido) (6).
- G) Confirme visualmente la presencia de llamas que indiquen que el encendido ha sido exitoso (7).

⚠ **ADVERTENCIA:** Si el encendido no ocurre en el transcurso de 5 segundos, apague (posición APAGADO) el control del quemador, espere cinco minutos y vuelva a repetir los pasos F y G o consulte las instrucciones sobre “ENCENDIDO MANUAL DEL QUEMADOR DE LA ESTACIÓN DE DORADO SEAR STATION®”

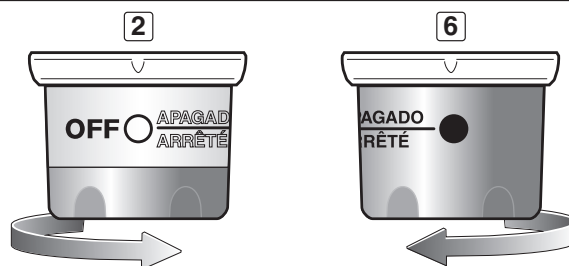
⚠ **ADVERTENCIA:** Si el quemador no se enciende, gire la perilla del control del quemador a la posición APAGADO y espere 5 minutos para permitir que el gas se disipe antes de tratar de nuevo o de tratar de encenderlo con un cerillo.  
*Nota:* Consulte la sección de Mantenimiento respecto a los procedimientos para retirar y limpiar los quemadores. ♦

### PARA APAGAR

Presione hacia abajo y gire la perilla de control del quemador en dirección de las agujas del reloj a la posición APAGADO. Cierre el suministro de gas en la fuente del mismo. ♦



La barbacoa ilustrada puede tener ligeras diferencias con respecto al modelo comprado.



# ENCENDIDO Y USO DEL QUEMADOR DE LA ESTACIÓN DE DORAR SEAR STATION®

## ENCENDIDO MANUAL DEL QUEMADOR DEL ESTACIÓN DE DORADO SEAR STATION®

### ⚠ PELIGRO

**El no abrir la tapa mientras se esté encendiendo el quemador de la barbacoa, o no esperar 5 minutos para que el gas se disipe si la barbacoa no se enciende, puede resultar en una llamarada explosiva, la cual puede causar lesiones corporales serias o la muerte.**

El quemador de la estación para dorar Sear Station® tienen un ajuste de control de encendido y apagado. Para encender el quemador de la estación para dorar Sear Station® debe primero encender los dos quemadores principales adyacentes.

### Encendido de acción rápida del quemador principal adyacente

*Nota: La perilla de control de encendido de acción rápida de cada quemador principal genera una chispa desde el electrodo de encendido al tubo de encendido del quemador. Usted genera la energía para la chispa al empujar la perilla de control hacia adentro y girar a encendido/fuego alto. Esto encenderá cada quemador individual.*

- Abra la tapa (1).
- Verifique que cada quemador principal adyacente a la estación para dorar Sear Station® esté encendido mediante la comprobación visual de que desprenden llamas (2).
- Coloque el cerillo en el portacerillos y enciéndalo.

### ⚠ ADVERTENCIA: No se incline sobre la barbacoa abierta.

- Inserte el portacerillos con el cerillo encendida a través y hacia abajo de las rejillas de cocción y de las barras Flavorizer® para encender el quemador de la estación para dorar Sear Station® (3).
- Empuje la perilla de control de la estación para dorar Sear Station® hacia adentro y gírela a la posición encendida (4).

### ⚠ ADVERTENCIA: Si el quemador no se enciende, gire la perilla del control del quemador a la posición apagado y espere 5 minutos para permitir que el gas se disipe antes de tratar de nuevo.

**Nota: Consulte la sección de Mantenimiento respecto a los procedimientos para retirar y limpiar los quemadores. ♦**

### PARA APAGAR

Presione hacia abajo y gire la perilla de control del quemador en dirección de las agujas del reloj a la posición apagado. Cierre el suministro de gas en la fuente del mismo. ♦

## CÓMO USAR LA ESTACIÓN PARA DORAR SEAR STATION®

La barbacoa de gas Weber® incluye un quemador para dorar carnes como los bistecs, partes de aves, pescado y chuletas).

Ésta es una técnica de asado directo que dora la superficie de los alimentos a altas temperaturas. Al dorar ambas partes de la carne creará un sabor más gustoso mediante la caramelización de la superficie de los alimentos. El dorar también mejorará la apariencia de la carne con las marcas de dorado de la parrilla de cocción. Esto, junto con el contraste de texturas y sabores, puede hacer el alimento más interesante al paladar.

El quemador de la estación para dorar Sear Station® tiene un ajuste de control de encendido y apagado que funciona en conjunto con los dos quemadores principales adyacentes. Con los quemadores adyacentes y el quemador para dorar usted puede dorar las carnes de manera efectiva mientras usa otras zonas de cocción para asar bajo calor moderado.

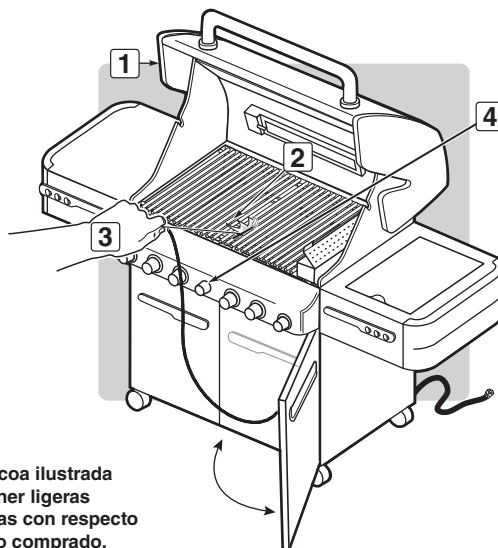
Antes de empezar a dorar deberá colocar a fuego alto todos los quemadores principales para precalentar la barbacoa. Nota: Siempre ase con la tapa cerrada para lograr el calor máximo y evitar llamaradas.

Una vez esté precalentada la barbacoa, apague los quemadores externos o redúzcalos a fuego bajo. Deje los dos quemadores centrales en fuego alto y encienda el quemador de la estación para dorar Sear Station.

Coloque la carne directamente sobre la estación para dorar Sear Station®. Dore cada lado entre 1 y 4 minutos, según el tipo y espesor de la carne. Pude darle un cuarto de vuelta al alimento para crear las marcas de dorado (1) antes de dorar el otro lado de la misma manera.

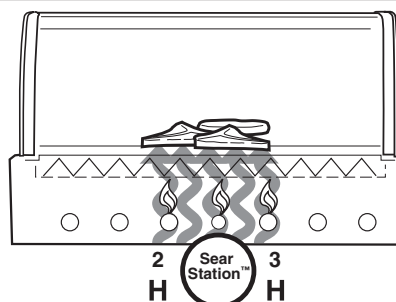
Una vez haya terminado de dorar, puede terminar de asar la carne moviéndola a calor más moderado sobre los calentadores externos para alcanzar el grado de cocción deseado.

En la medida que obtenga más experiencia en el uso de la estación para dorar Sear Station®, lo animamos a que experimente con diferentes tiempos de dorado para lograr los resultados óptimos para su gusto. ♦



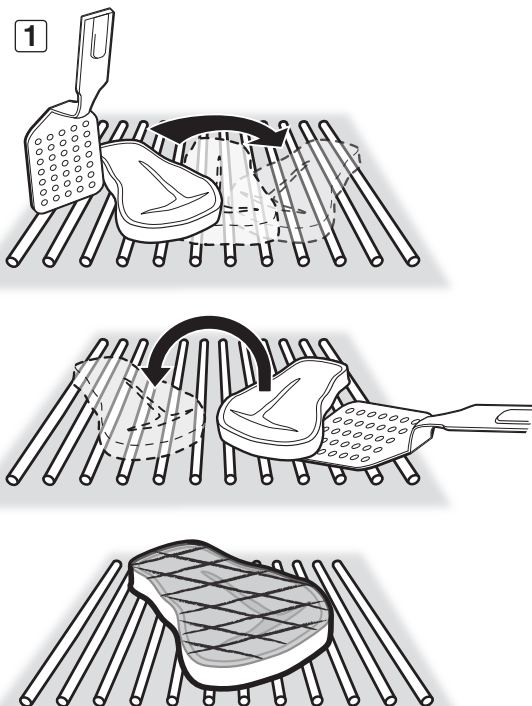
La barbacoa ilustrada puede tener ligeras diferencias con respecto al modelo comprado.

### 4 BURNER



### SEAR METHOD

Food is placed in the area of intense heat between the lit burners



# ENCENDIDO Y USO DEL QUEMADOR DE AHUMADO

## ENCENDIDO DEL QUEMADOR DEL AHUMADOR

### ⚠ PELIGRO

El no abrir la tapa mientras se esté encendiendo la barbacoa, o no esperar cinco minutos para permitir que el gas se disipe si la barbacoa no se enciende, puede resultar en una llamarada explosiva, la cual puede causar lesiones corporales serias o la muerte.

### Encendido rápido del quemador del ahumador

Nota: Cada perilla de control de encendido rápido crea una chispa que va del electrodo de encendido al tubo quemador de encendido. Al presionar la perilla de control y girarla a ENCENDIDO/FUEGO ALTO, usted genera la energía para la chispa. Esto encenderá el quemador del ahumador.

⚠ **ADVERTENCIA:** Inspeccione la manguera previo a cada uso de la parrilla y asegúrese de que no tenga muescas, grietas, abrasiones o cortes. Si se encontrase que la manguera estuviese dañada de cualquier manera, no utilice la barbacoa. Reemplácela solamente con una manguera de repuesto autorizada por Weber®. Contacte al Representante de Servicios al Cliente en su área utilizando la información de contacto en nuestro sitio web. Conéctese a [www.weber.com](http://www.weber.com)®.

- A) Abra la tapa de la barbacoa (1).
- B) Abra la tapa de la caja del ahumador (2).
- C) Llene la caja del ahumador con pedazos o astillas de madera empapadas con agua (3).
- D) Asegúrese de que las perillas de control de los quemadores que no se estén usando estén en la posición APAGADO (4). (Empuje la perilla de control hacia adentro y gire en dirección de las agujas del reloj para asegurarse de que esté en la posición APAGADO)
- E) Abra el gas en la fuente del mismo (5).

⚠ **ADVERTENCIA:** Al encender, no se incline sobre la barbacoa abierto.

- F) Presione la perilla de control y gírela a la posición encendido/fuego alto hasta oír que el encendedor haga un chasquido (6), y continúe presionando la perilla de control durante dos segundos. Esta acción hará que el encendedor chisporrotee, lo cual encenderá el tubo del quemador de encendido y luego el quemador del ahumador.
- G) Verifique que el quemador esté encendido viendo a través de las parrillas de cocción (7). Deberá ver una llama. Si el encendedor no se enciende al primer intento, presione la perilla de control y gírela a la posición APAGADO y repita el procedimiento una segunda vez.

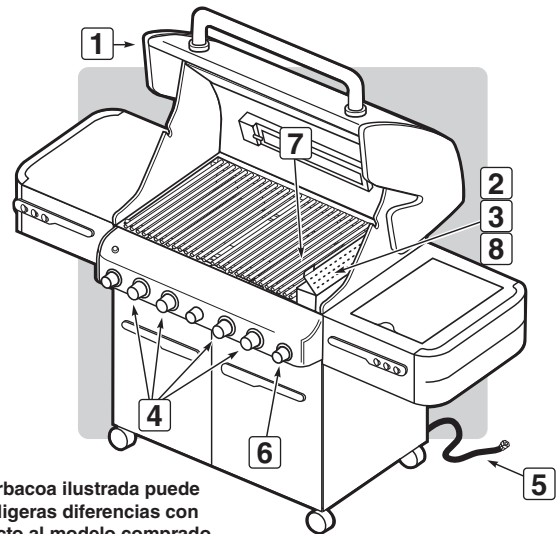
### ⚠ PELIGRO

Si el quemador del ahumador no se enciende, gire la perilla del control del quemador a la posición APAGADO y espere 5 minutos para permitir que el gas se disipe antes de tratar de nuevo.

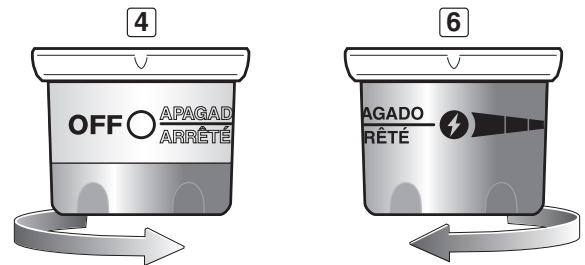
- H) Una vez que la madera empiece a arder, cierre la cubierta del ahumador y gire la perilla de control a LOW (fuego bajo). ♦

### PARA APAGAR

Presione y gire la perilla de control de cada quemador en dirección de las agujas del reloj a la posición APAGADO. Cierre el suministro de gas en la fuente del mismo. ♦



La barbacoa ilustrada puede tener ligeras diferencias con respecto al modelo comprado.





# ENCENDIDO Y USO DEL QUEMADOR DE AHUMADO

## ENCENDIDO MANUAL DEL QUEMADOR DEL AHUMADOR

A) Abra la tapa (1).

### ⚠ PELIGRO

**El no abrir la tapa mientras se esté encendiendo la barbacoa, o no esperar 5 minutos para permitir que el gas se disipe si la barbacoa no se enciende, puede resultar en una llamarada explosiva, la cual puede causar lesiones corporales serias o la muerte.**

B) Abra la tapa de la caja del ahumador (2).

C) Llene la caja del ahumador con pedazos o astillas de madera empapadas con agua (3).

D) Asegúrese de que las perillas de control de los quemadores que no se estén usando estén en la posición APAGADO (4). (Empuje la perilla de control hacia adentro y gire en dirección de las agujas del reloj para asegurarse de que esté en la posición APAGADO)

E) Abra el gas en la fuente del mismo (5).

F) Coloque un cerillo en el portacerillos y enciéndalo.

G) Inserte el portacerillos con el cerillo encendido a través de las parrillas de cocción y de las barras Flavorizer® para encender el quemador del ahumador (6).

**⚠ ADVERTENCIA: Mientras la enciende, no se incline sobre la barbacoa abierta.**

H) Presione la perilla de control del quemador del ahumado y gírela hacia ENCENDIDO/FUEGO ALTO (7).

I) Verifique que el quemador esté encendido viendo hacia abajo a través de la parrilla de cocción (8).

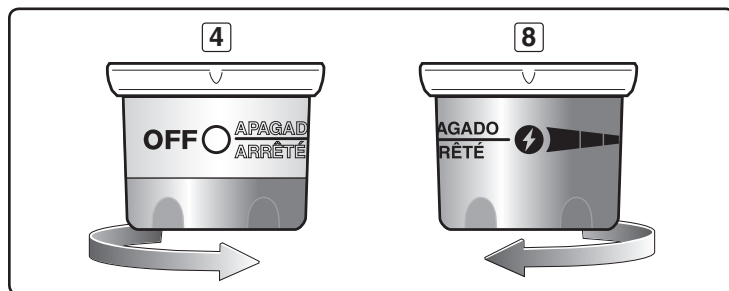
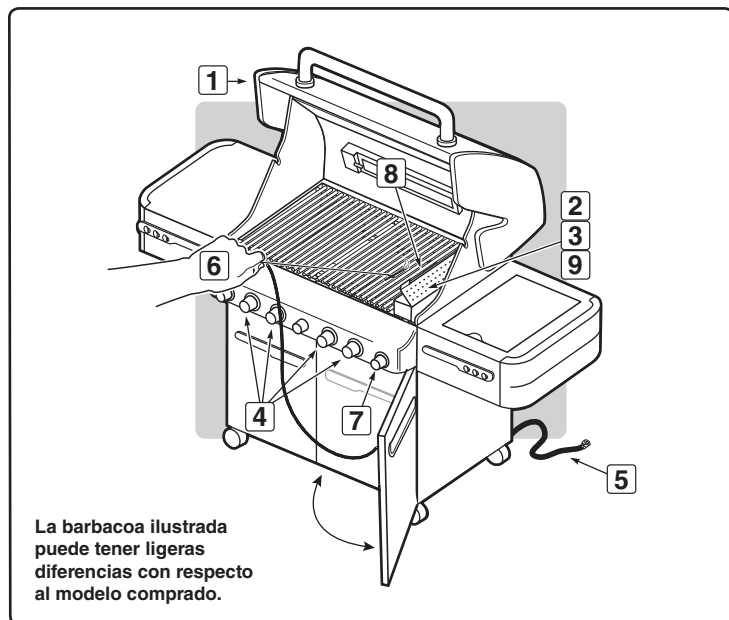
### ⚠ PELIGRO

**Si el quemador del ahumador no se enciende, gire la perilla del control del quemador a la posición APAGADO y espere cinco minutos para permitir que el gas se disipe antes de tratar de nuevo.**

J) Una vez que la madera empiece a arder, cierre la cubierta del ahumador y gire la perilla de control a LOW (fuego bajo) (9). ♦

## PARA APAGAR

Presione y gire la perilla de control de cada quemador en dirección de las agujas del reloj a la posición APAGADO. Cierre el suministro de gas en la fuente del mismo. ♦





## CÓMO USAR EL AHUMADOR

El ahumador usa astillas de madera premojadas. Para resultados óptimos con alimentos que se cocinan más rápidamente tales como bistecs, hamburguesas, chuletas, etc., recomendamos usar astillas de madera más finas dado que se encienden y crean humo de manera más rápida. Para alimentos con tiempos de cocción más largos tales como los asados, pollos y pavos, etc., recomendamos el uso de trozos de madera más grandes dado que se encienden más lentamente y proporcionan humo durante un período de tiempo más largo. En la medida en que usted gane experiencia usando su ahumador, le animamos a experimentar con diferentes combinaciones de astillas y pedazos de madera para encontrar el sabor del ahumado que más se ajusta a su gusto.

Como punto de partida, remoje las astillas de madera en agua durante por lo menos 30 minutos antes de usarlas. (La madera húmeda producirá más sabor a ahumado.) Coloque un puñado de astillas de madera o unos cuantos trozos grandes en el fondo del cuerpo del ahumador (1). En la medida que usted gane experiencia ahumando, incremente o reduzca la cantidad de madera para ajustarla a su gusto.

*Nota: Siempre ase con la tapa cerrada para permitir que el humo penetre la comida a fondo. Encienda el quemador del ahumador siguiendo las instrucciones dadas en "ENCENDIDO DEL QUEMADOR DEL AHUMADOR". Una vez que la madera empiece a arder, ajuste la perilla de control a una llama baja.*

El humo comenzará a producirse en aproximadamente 10 minutos y puede llegar a durar unos 45 minutos. Si requiere un sabor más ahumado, rellene el ahumador con astillas y/o trozos de madera. Mantenga la tapa del asador cerrada mientras cocine.

*Nota: después de volver a llenar el ahumador, tardará 10 a 15 minutos en comenzar a humear de nuevo. El ahumador puede usarse para realzar las recetas de carnes, aves y pescados. Cocine con la tapa cerrada de acuerdo con los tiempos indicados en las tablas o las recetas.*

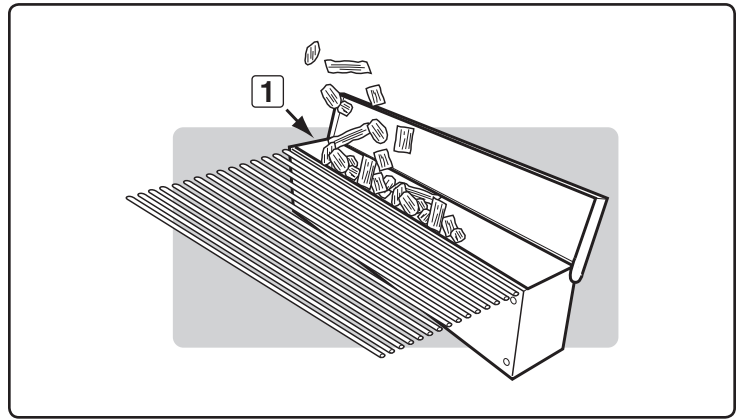
### ⚠ PELIGRO

**No use ningún líquido inflamable en el ahumador para encender la madera. Esto causará serias lesiones corporales. ♦**

## LIMPIEZA DEL AHUMADOR

Antes de cada uso, vacíe las cenizas del ahumador para permitir el flujo apropiado de aire.

*Nota: El ahumar dejará un residuo de "humo" sobre la superficie del ahumador. Este residuo no se puede eliminar y no afectará el funcionamiento del ahumador. En menor grado, un residuo de "humo" se acumulará dentro de su asador de gas. Este residuo no necesita quitarse y no afectará adversamente al funcionamiento de la barbacoa de gas. ♦*



# ENCENDIDO Y USO DEL QUEMADOR DEL ASADOR GIRATORIO

## ENCENDIDO DEL QUEMADOR DEL ASADOR GIRATORIO

### Encendido rápido del quemador del asador giratorio

*Nota: Cada perilla de control de encendido rápido crea una chispa que va del electrodo de encendido al tubo quemador de encendido. Al presionar la perilla de control y girarla a ENCENDIDO/FUEGO ALTO, usted genera la energía para la chispa. Esto encenderá cada quemador individual.*

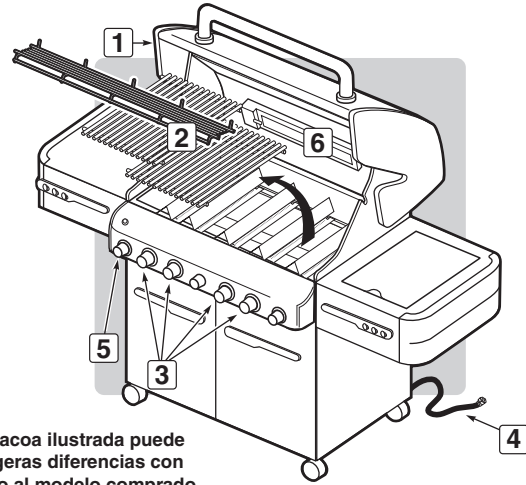


### ⚠ ATENCIÓN: Léalo antes de encender el quemador del asador giratorio

Tras cualquier tiempo sin uso, antes de encender el quemador del asador giratorio, deben pasar unos cuantos segundos para que se llene la línea de suministro de gas. Al usar el encendedor rápido, verá un fogonazo de llamas moviéndose de derecha a izquierda a lo largo de la superficie del quemador del asador giratorio; éste no estará encendido hasta tanto toda la superficie cerámica esté en llamas. En este momento, inicie un conteo de 20 segundos antes de soltar la perilla de control del quemador del asador giratorio. La superficie del quemador del asador giratorio estará al rojo vivo una vez esté totalmente encendido.

### ⚠ PELIGRO

El no abrir la tapa mientras se esté encendiendo la barbacoa, o no esperar 5 minutos para permitir que el gas se disipe si la barbacoa no se enciende, puede resultar en una llamarada explosiva, la cual puede causar lesiones corporales serias o la muerte.

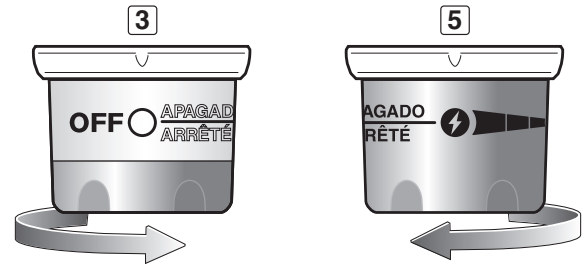


La barbacoa ilustrada puede tener ligeras diferencias con respecto al modelo comprado.

- ⚠ **PRECAUCIÓN:** La llama del quemador del asador giratorio puede ser difícil de ver en un día brillantemente soleado.
- ⚠ **ADVERTENCIA:** Inspeccione la manguera previo a cada uso de la barbacoa y asegúrese de que no tenga muescas, grietas, abrasiones o cortes. Si se encontrase que la manguera estuviese dañada de cualquier manera, no utilice la barbacoa. Reemplácela solamente con una manguera de repuesto autorizada por Weber®. Contacte al Representante de Atención al Cliente en su área utilizando la información de contacto en nuestro sitio web. Conéctese a [www.weber.com](http://www.weber.com)®.

- A) Abra la tapa (1).
- B) Retire la rejilla de calentamiento y la parrilla de cocción de la caja de cocción (2).
- C) Asegúrese de que todas las perillas de control de los quemadores estén en la posición APAGADO (Presione la perilla de control y gire en dirección de las agujas del reloj para asegurarse de que esté en la posición APAGADO. (3))
- D) Abra el gas en la fuente del mismo (4).
- ⚠ **ADVERTENCIA:** No se incline sobre la barbacoa abierta.
- E) Presione la perilla de control del quemador y gírela hacia ENCENDIDO/FUEGO ALTO (5). Esta acción hará que el encendedor chispee y encienda el quemador del asador giratorio. Continúe usando el encendedor rápido hasta que el quemador del asador giratorio se haya encendido. Continúe presionando a la perilla de control unos veinte segundos más después de que el quemador se haya encendido. Suelte la perilla de control.
- F) Verifique que el quemador esté encendido revisando que el quemador del asador giratorio esté al rojo vivo (6).
- ⚠ **ADVERTENCIA:** Si el quemador del asador giratorio no se enciende, gire la perilla del control del quemador a la posición APAGADO y espere cinco minutos para permitir que el gas se disipe antes de tratar de nuevo o de que usted trate de encenderlo con un cerillo.

*Nota: Cuando se use el asador con la tapa cerrada, solamente encienda dos de los quemadores principales a cada lado de los alimentos (vea los Métodos de asar - Cocción indirecta). Revise periódicamente sus alimentos para prevenir que se cocinen de más en la parte externa. Una vez que el alimento se haya dorado al color deseado, apague el quemador del asador giratorio. Termine de asarlo con calor indirecto. ♦*



### PARA APAGAR

Presione la perilla de control del quemador del asador giratorio y gírela en la dirección de las agujas del reloj a la posición APAGADO. Cierre el suministro de gas en la fuente del mismo. ♦

# ENCENDIDO Y USO DEL QUEMADOR DEL ASADOR GIRATORIO

## ENCENDIDO MANUAL DEL QUEMADOR DEL ASADOR GIRATORIO

### ⚠ ATENCIÓN: LÉALO ANTES DE ENCENDER EL QUEMADOR DEL ASADOR

Tras de un tiempo sin haberse utilizado, antes de encender el quemador del asador giratorio, deben pasar unos cuantos segundos para que se llene la línea de suministro de gas. Al encender el quemador del asador giratorio con un cerillo, usted verá un fogonazo de llamas moviéndose de derecha a izquierda a lo largo de la superficie del quemador del asador giratorio; el asador giratorio no estará encendido hasta tanto toda la superficie cerámica esté en llamas. En este momento, inicie un conteo de 20 segundos antes de soltar la perilla de control del quemador del asador. La superficie del quemador del asador estará al rojo vivo una vez esté totalmente encendido.

### ⚠ PELIGRO

El no abrir la tapa mientras se esté encendiendo el quemador de la parrilla, o no esperar cinco minutos para permitir que el gas se disipe si la parrilla no se enciende, puede resultar en una llamarada explosiva, la cual puede causar lesiones corporales serias o la muerte.

- ⚠ **PRECAUCIÓN:** La llama del quemador del asador giratorio puede ser difícil de ver en un día brillantemente soleado.
- ⚠ **ADVERTENCIA:** Inspeccione la manguera previo a cada uso de la barbacoa y asegúrese de que no tenga muescas, grietas, abrasiones o cortes. Si se encontrase que la manguera estuviese dañada de cualquier manera, no utilice la barbacoa. Reemplácela solamente con una manguera de repuesto autorizada por Weber®. Contacte al Representante de Servicios al Cliente en su área utilizando la información de contacto en nuestro sitio web. Conéctese a [www.weber.com](http://www.weber.com)®.

- A) Abra la tapa (1).
- B) Retire de la caja de cocción la rejilla para calentar y las parrillas de cocción (2).
- C) Asegúrese de que todas las perillas de control de los quemadores estén en la posición APAGADO (Presione la perilla de control y gírela en dirección de las agujas del reloj para asegurarse de que esté en la posición APAGADO) (3).
- D) Abra el gas en la fuente del mismo (4).
- E) Coloque un cerillo en el portacerillos y enciéndalo.
- F) Agarre el portacerillos y encienda con el cerillo por el lado derecho del quemador lateral (5).

### ⚠ ADVERTENCIA: No se incline sobre la barbacoa abierta.

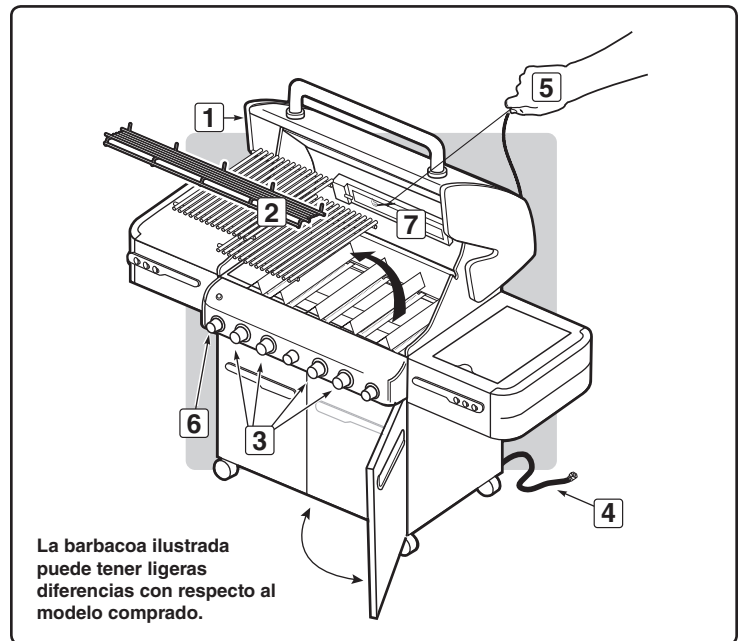
- G) Presione la perilla de control del quemador del asador giratorio y gírela hacia ENCENDIDO/FUEGO ALTO (6). Continúe presionando a la perilla de control unos veinte segundos más después de que el quemador se haya encendido.
- H) Verifique que el quemador esté encendido revisando que el quemador del asador giratorio esté al rojo vivo (7).

### ⚠ ADVERTENCIA: Si el quemador del ahumador no se enciende, gire la perilla del control del quemador a la posición APAGADO y espere cinco minutos para permitir que el gas se disipe antes de tratar de nuevo.

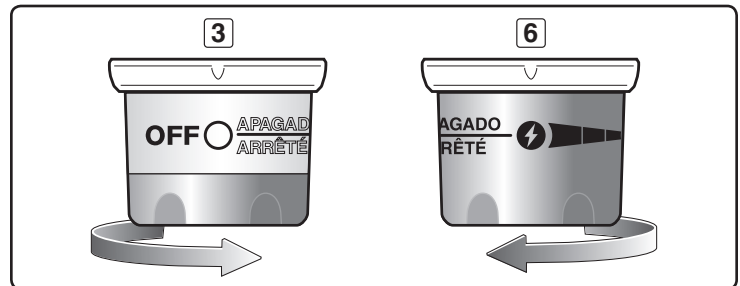
*Nota: Cuando se use el asador giratorio con la tapa cerrada, solamente encienda dos de los quemadores principales a cada lado de los alimentos (vea los Métodos de asar - Cocción indirecta). Revise periódicamente sus alimentos para prevenir que se cocinen de más en la parte externa. Una vez que el alimento se haya dorado al color deseado, apague el quemador del asador giratorio. Termine de asarlo con calor indirecto. ♦*

## PARA APAGAR

Presione la perilla de control del quemador del asador y gírela en la dirección de las agujas del reloj a la posición APAGADO. Cierre el suministro de gas en la fuente del mismo. ♦



La barbacoa ilustrada puede tener ligeras diferencias con respecto al modelo comprado.



# ENCENDIDO Y USO DEL QUEMADOR DEL ASADOR GIRATORIO

## ANTES DE USAR EL ASADOR GIRATORIO

*Nota: Antes de usar el asador giratorio, mida el alimento a asar en su punto más ancho. Si éste excede de 9 1/2" (241.8 mm), entonces es demasiado grande para que quepa en el asador giratorio. Si es demasiado grande, la comida puede prepararse usando un sostenedor de asado y el método de Cocción Indirecta.*

### Medidas preventivas importantes

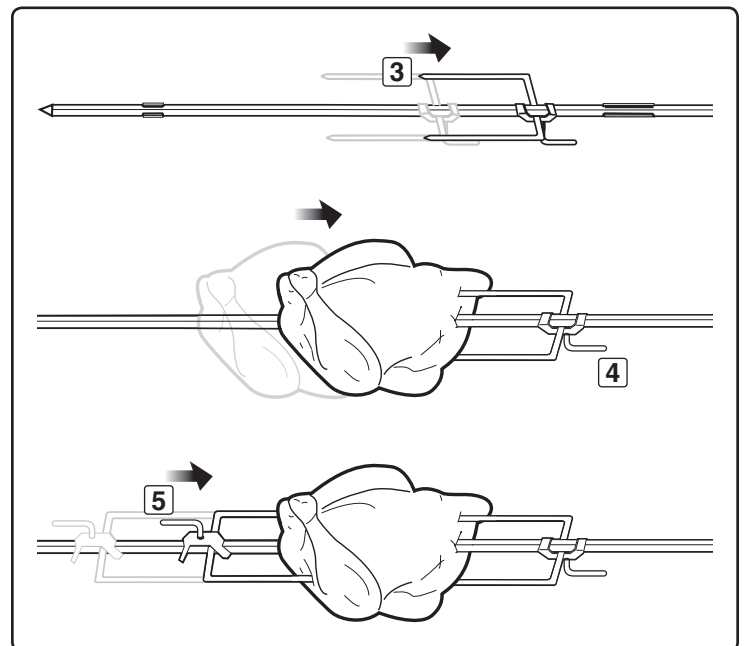
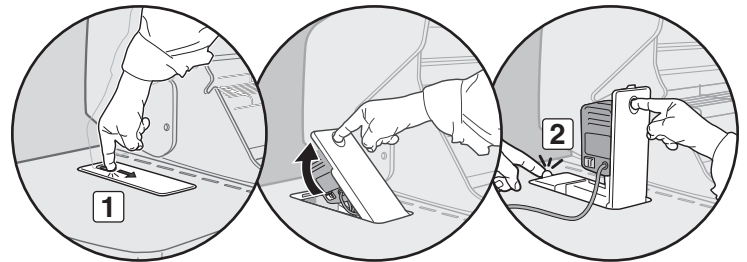
#### ⚠ ADVERTENCIAS

- ⚠ Por favor lea cuidadosamente las instrucciones antes de utilizar el asador giratorio.
- ⚠ Este asador giratorio debe usarse solamente al aire libre.
- ⚠ Retire el motor y almacénelo en un lugar seco cuando no esté en uso.
- ⚠ No toque las superficies calientes. Use guantes protectores para barbacoas.
- ⚠ Este asador giratorio no debe ser usado por niños.
- ⚠ Como protección contra riesgos eléctricos no sumerja el cable, enchufes, o motor en agua u otros líquidos.
- ⚠ Desenchufe el motor cuando no esté en uso, o antes de limpiar.
- ⚠ No use el asador giratorio para ningún otro uso que no sea para el cual está diseñado.
- ⚠ Asegúrese de que el motor esté apagado antes de colocarlo sobre el soporte del mismo.
- ⚠ No opere el motor del asador giratorio con el cable eléctrico o el enchufe dañado.
- ⚠ No opere el motor del asador giratorio si éste está fallando.
- ⚠ El motor del asador giratorio está equipado con un cordón eléctrico de tres clavijas (conectado a tierra) para su protección contra descargas eléctricas.
- ⚠ El cordón eléctrico deberá enchufarse directamente a un enchufe para tres clavijas debidamente conectado a tierra. Si se requiere el uso de un cable de extensión, asegúrese de que sea por lo menos de 1,3mm 2x3 hilos, bien aislado, y específicamente para uso en exteriores y debidamente conectado a tierra.
- ⚠ Cuando se use una extensión eléctrica, asegúrese de que no haga contacto con ninguna superficie caliente o filosa.
- ⚠ Los cables de extensión para exteriores deberán estar marcados con las letras "W-A" y una etiqueta que diga "Apto para usarse con artefactos para exteriores".
- ⚠ No corte o elimine la clavija de conexión a tierra del cordón eléctrico del motor del asador giratorio.
- ⚠ No permita que el cordón eléctrico cuelgue sobre ningún borde filoso o superficie caliente.
- ⚠ No lo exponga a la lluvia.
- ⚠ Para reducir el riesgo de descargas eléctricas, mantenga la extensión eléctrica seca y levantada del suelo.
- ⚠ Se suministra un cordón de suministro eléctrico corto para minimizar el riesgo de tropezar con el mismo y caerse. Los cables de extensión pueden usarse, pero debe tomarse la debida precaución para prevenir que se tropiece con ellos.
- ⚠ En caso de no existir códigos locales, el motor del asador giratorio deberá conectarse a tierra de acuerdo con el Código Eléctrico Nacional, ANSI/NFPA 70, o el Código Eléctrico Canadiense, CSA C22.1. ♦

## OPERACIÓN DEL ASADOR GIRATORIO

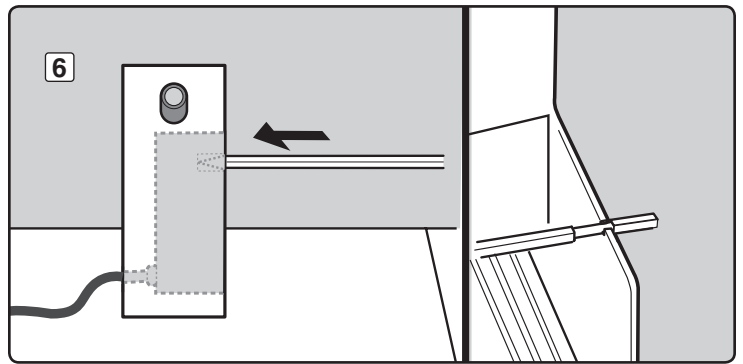
⚠ **ADVERTENCIA:** Coloque el alimento en el asador rotativo antes de encender el quemador del mismo.

- A) Para instalar el motor del asador giratorio, presione el botón en el panel retráctil del asador giratorio (1). Hale el panel del asador giratorio hacia arriba. Empuje la pestaña de cierre (2) hasta que encaje en su sitio.
- B) Retire el cordón eléctrico y enchúfelo en la fuente de alimentación eléctrica.
- ⚠ **PRECAUCIÓN:** No pase el cordón eléctrico del motor del asador giratorio a través de la abertura retráctil del mismo en la mesa lateral.
- ⚠ **PRECAUCIÓN:** Inspeccione el cordón eléctrico antes de cada uso. Si el cordón está dañado, no lo use. Contacte al Representante de Atención al Cliente usando la información de contacto en nuestro sitio web. Conéctese a [www.weber.com](http://www.weber.com)®.
- C) Deslice una de las horquillas del asador hacia el lado derecho del eje del asador giratorio, asegurándose de que los pinchos den de cara hacia la izquierda y el tornillo de la horquilla esté cara abajo (3).
- D) Empuje el eje del asador a través del centro de la comida. Inserte los dientes de ambas horquillas en el alimento. El alimento deberá estar centrado sobre el eje. Apriete el tornillo de la horquilla (4).
- E) Deslice otra horquilla sobre el eje del asador giratorio, asegurándose de que los pinchos den hacia el lado derecho y el tornillo de la horquilla esté cara arriba. Inserte los dientes de ambas horquillas en el alimento. Apriete el tornillo de la horquilla (5).



# ENCENDIDO Y USO DEL QUEMADOR DEL ASADOR GIRATORIO

- F) Inserte el extremo puntiagudo del eje del asador en el motor. Baje el espetón del asador dentro de las ranuras en la caja de cocción (6).
- G) El eje del rotor deberá rotar de tal manera que el lado pesado de la carne o ave rote hacia el fondo. Los cortes grandes quizás necesiten que se retiren la rejillas de cocinar y la gradilla de calentamiento para permitir la rotación completa del eje. Si fuese necesario para lograr un mejor balance, vuelva a colocar el alimento de nuevo.
- H) Encienda el motor. ♦



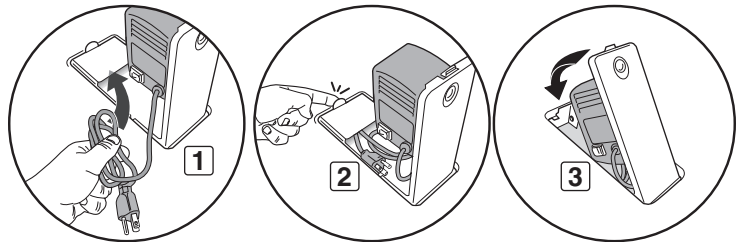
## CÓMO COCINAR CON EL ASADOR GIRATORIO

- Las carnes (excepto las aves y la carne molida) deberán dejarse calentar a la temperatura ambiente antes de cocinarlas. (20 a 30 minutos deberá ser suficiente para la mayoría de los alimentos. Si están congelados, descongéuelos completamente antes de cocinar.)
- Si fuese necesario, ate la carne o las aves con un cordel para darles la forma más uniforme posible antes de colocarlas en el asador.
- Retire la rejillas de cocinar y la gradilla de calentamiento para permitir que la comida rote libremente.
- Siga las instrucciones para el encendido del quemador del asador giratorio.
- Ajuste el quemador del asador a fuego medio - alto basándose en la temperatura al aire libre.
- Coloque la comida dentro del área del quemador.
- Si desea guardar la grasa que se escurre para usarla como salsa para la carne, coloque una bandeja de goteo encima de las barras Flavorizer® y directamente debajo de la comida.
- Los pasos de preparación de la comida para asar en el asador giratorio son los mismos que para la cocción normal.
- Toda la cocción deberá llevarse a cabo con la tapa cerrada.
- Si los alimentos son demasiado pesados o de formas irregulares, podrá ocurrir que no roten bien y deberán cocinarse mediante el Método Indirecto sin usar el asador giratorio.
- Se puede usar el ahumador en conjunción con el asador giratorio para un sabor más ahumado.

*Nota: Cuando se usa el quemador del asador giratorio, el termómetro de la parrilla no reflejará la temperatura dentro de la caja de cocción. ♦*

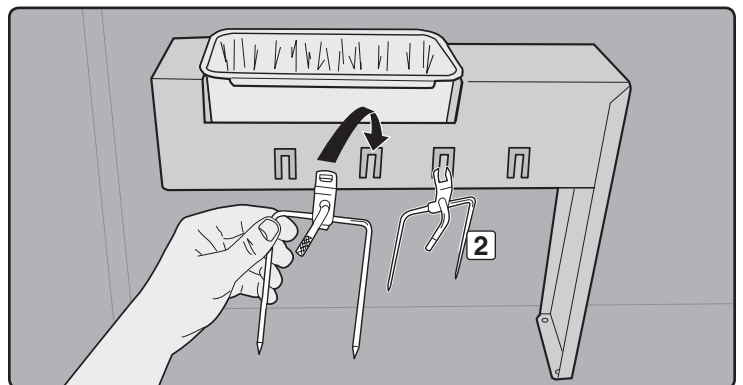
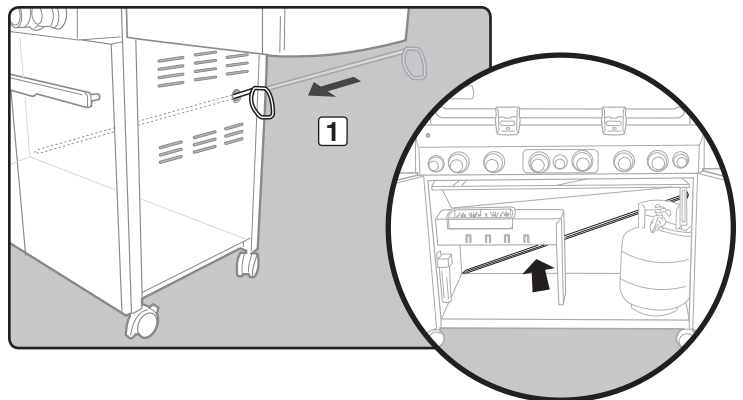
## ALMACENAJE DEL MOTOR DEL ASADOR GIRATORIO

- A) Antes de retraer el asador giratorio de vuelta a la mesa lateral, desenchufe el cordón eléctrico y con cuidado coloque el enchufe y el cordón eléctrico dentro del área de almacenaje del ensamble retráctil del asador giratorio (1).
- ⚠ PRECAUCIÓN: El no almacenar correctamente el cordón eléctrico del asador giratorio pudiera resultar en daños al mismo al abrir y cerrar el panel retráctil del asador giratorio.**
- B) Con su dedo índice, desacople el panel retráctil del asador giratorio (2). Empuje el panel hacia abajo hasta que encaje completamente en su lugar (3). ♦



## ALMACENAJE DEL ESPETÓN DEL ASADOR GIRATORIO

- A) Retire las horquillas del espetón del asador. Con cuidado inserte el espetón dentro del gabinete deslizando a través del agujero en el panel del lado derecho (1).
- ⚠ PRECAUCIÓN: No permita que el espetón haga contacto con las líneas de gas.**
- B) Almacene las horquillas del asador colocándolas en los ganchos ubicados sobre el soporte del plato recolector dentro del gabinete de la barbacoa (2). ♦





## RESOLUCIÓN DE PROBLEMAS

PROBLEMA	REVISAR	SOLUCIÓN
<p>La llama en los quemadores es de color amarillo o anaranjado, conjuntamente con olor a gas (esto es normal para el tubo encendedor del quemador).</p> <p>Síntomas:</p> <p>El quemador no se enciende, o la llama se mantiene baja en la posición fuego alto.</p>	Revise que no haya obstrucciones en las malla contra arañas e insectos. (Taponamiento de orificios.)	Limpie las mallas contra arañas e insectos (consulte "MANTENIMIENTO ANNUAL").
	¿Está doblada la manguera de combustible?	Enderece la manguera de combustible.
	¿Se enciende el quemador con un cerillo?	Limpie los quemadores (consulte "MANTENIMIENTO").
	¿Utilizó el encendedor de chasquido varias veces hasta la que el quemador principal se encendió? (consulte "ENCENDIDO DEL QUEMADOR PRINCIPAL")	Asegúrese de mantener presionada la perilla de control durante dos segundos después de accionar el encendedor y ver la llama anaranjada proveniente del tubo encendedor de los quemadores.
<p>Se producen llamaradas:</p> <p><b>⚠ PRECAUCIÓN: No forre la bandeja del fondo con hoja de aluminio.</b></p>	¿Funciona el encendedor? ¿Ve una chispa cuando usa repetidas veces el encendedor rápido?	Trate de encender manualmente el quemador (consulte "ENCENDIDO MANUAL DEL QUEMADOR PRINCIPAL"). Llame atención al cliente.
	¿Está precalentando la barbacoa de la manera prescrita?	Coloque a todos los quemadores en FUEGO ALTO durante 10 a 15 minutos para precalentar la barbacoa.
	¿Están las parrillas de cocción y las barras Flavorizer® recubiertas con una capa gruesa de grasa quemada?	Límpielas a fondo (consulte "LIMPIEZA").
<p>¿Está la bandeja del fondo "sucía" y no deja que la grasa fluya al plato recolector?</p>	Limpie la bandeja del fondo.	
<p>El quemador produce llamas con un patrón errático. La llama se mantiene baja cuando el quemador está en FUEGO ALTO. Las llamas no corren a lo largo de todo el tubo del quemador.</p>	¿Están limpios los quemadores?	Limpie los quemadores (consulte "MANTENIMIENTO").
<p>La parte interna de la tapa pareciera estar "pelándose". (Se parece al desprendimiento de pintura.)</p>	<p>La tapa está porcelanizada o es de acero inoxidable y no está pintada. No puede "pelarse". Lo que está viendo es grasa asada que se ha convertido en carbón y se está descascarando.</p> <p><b>ESTO NO ES UN DEFECTO.</b></p>	Límpielas a fondo (consulte "LIMPIEZA").
<p>Las puertas del gabinete no están alineadas.</p>	Revise el perno de ajuste en la parte inferior de cada puerta.	Afloje la(s) tuerca(s) de ajuste. Deslice la(s) puerta(s) hasta quedar alineada(s). Apriete la tuerca.
<p>Si los problemas no pueden corregirse usando cualquiera de estos métodos, por favor contacte al Representante de Atención al Cliente en su área usando la información de contacto en nuestro sitio web. Conéctese a <a href="http://www.weber.com">www.weber.com</a>®.</p>		

## RESOLUCIÓN DE PROBLEMAS CON EL QUEMADOR LATERAL

PROBLEMA	REVISAR	SOLUCIÓN
El quemador lateral no se enciende	¿Está cerrado el suministro de gas?	Abra el suministro de gas.
La llama se mantiene baja en la posición fuego alto.	¿Está doblada la manguera de combustible?	Enderece la manguera.
El botón de encendido no funciona.	¿Se enciende el quemador con un cerillo?	Si el cerillo enciende el quemador, revise el encendedor (consorte "MANTENIMIENTO DEL QUEMADOR LATERAL").
<p>Si los problemas no pueden corregirse usando cualquiera de estos métodos, por favor contacte al Representante de Atención al Cliente en su área usando la información de contacto en nuestro sitio web. Conéctese a <a href="http://www.weber.com">www.weber.com</a>®.</p>		

## RESOLUCIÓN DE PROBLEMAS CON EL ESTACIÓN DE DORADO SEAR STATION®

PROBLEMA	REVISAR	SOLUCIÓN
<p>Los quemadores están quemando con una llama amarilla o anaranjada, conjuntamente con un olor a gas (esto es normal para el tubo de encendido del quemador).</p> <p>El quemador de la estación de dorado Sear Station® no se enciende.</p>	<p>Revise que no haya obstrucciones en la malla contra arañas e insectos. (Taponamiento de orificios.)</p>	<p>Limpie las mallas contra arañas e insectos (consulte "MANTENIMIENTO ANUAL").</p>
	<p>¿Encendió usted los dos quemadores principales adyacentes (Consulte las instrucciones de "ENCENDIDO Y USO DE LA ESTACIÓN DE DORADO SEAR STATION®" para el procedimiento de encendido seguro)</p>	<p>Confirme visualmente la presencia de llamas que indiquen que los quemadores principales adyacentes se han encendido.</p> <p><b>⚠ ADVERTENCIA: Si no se encendiese en cinco segundos, apague el control del quemador (posición APAGADO), y espere cinco minutos para que el gas se despeje antes de intentarlo de nuevo.</b></p>
	<p>¿Se enciende el quemador con un cerillo?</p>	<p>Si usted puede encender el quemador con un cerillo, entonces revise el canal Crossover® en el quemador de dorado (consulte "MANTENIMIENTO" para el procedimiento de cómo retirar y limpiar el quemador).</p>
	<p>¿Funciona el encendedor? (¿Observa una chispa cuando acciona repetidamente al encendedor?)</p>	<p>Intente encender manualmente el quemador (consulte "ENCENDIDO Y USO DE LA ESTACIÓN DE DORADO SEAR STATION®"). Llame a atención al cliente.</p>
<p>Si los problemas no pueden corregirse usando cualquiera de estos métodos, por favor contacte al Representante de Atención al Cliente en su área usando la información de contacto en nuestro sitio web. Conéctese a <a href="http://www.weber.com">www.weber.com</a>®.</p>		

## RESOLUCIÓN DE PROBLEMAS CON EL ASADOR GIRATORIO

PROBLEMA	REVISAR	SOLUCIÓN
<p>El quemador del asador giratorio no se enciende</p>	<p>¿Mantuvo usted presionada la perilla de control del quemador durante 20 segundos después de haberse encendido?</p>	<p>Trate de volver a encender el quemador manteniendo presionada la perilla de control del quemador hasta encenderse y continuar manteniéndola presionada hasta 20 segundos después de haberse encendido.</p>
	<p>¿Esperó usted hasta ver que toda la superficie de cerámica se encendiera antes de empezar a contar los 20 segundos?</p>	<p>Cuando vuelva a encender el quemador manteniendo presionada la perilla de control del mismo, espere a que vea la superficie de cerámica entera encendida antes de empezar a contar los 20 segundos.</p>
	<p>¿Usó repetidamente el encendedor rápido hasta que el encendedor se prendiese?</p>	<p>Después de esperar cinco minutos para que se disipe el gas, trate de usar repetidamente el encendedor rápido hasta que el quemador de encienda (consulte "ENCENDIDO Y USO DEL QUEMADOR DEL ASADOR GIRATORIO").</p>
	<p>¿Funciona el encendedor? ¿Ve una chispa cuando usa repetidas veces el encendedor rápido?</p>	<p>Intente encender manualmente el quemador (consulte "ENCENDIDO MANUAL DEL QUEMADOR DEL ASADOR GIRATORIO"). Llame la atención al cliente.</p>
<p>Si los problemas no pueden corregirse usando cualquiera de estos métodos, por favor contacte al Representante de Atención al Cliente en su área usando la información de contacto en nuestro sitio web. Conéctese a <a href="http://www.weber.com">www.weber.com</a>®.</p>		

## RESOLUCIÓN DE PROBLEMAS DE LA LUZ DE ASA GRILL OUT™

PROBLEMA	REVISAR	SOLUCIÓN
<p>La lámpara del asa Weber Grill Out™ no se enciende.</p>	<p>¿Están gastadas las baterías?</p>	<p>Reemplace las baterías.</p>
	<p>¿Están correctamente instaladas las baterías?</p>	<p>Vea la ilustración de ensamblaje.</p>
	<p>¿Está la tapa abierta hasta arriba con el botón de encendido energizado?</p>	<p>La lámpara se activará cuando la tapa esté abierta.</p>
	<p>¿Está activada la luz del asa Weber Grill Out™?</p>	<p>Pulse el botón de encendido.</p>
	<p>¿Está la lámpara del asa Weber Grill Out™ colocada correctamente sobre el asa?</p>	<p>Ajuste su posición (vea la ilustración de ensamblaje).</p>
<p>Si los problemas no pueden corregirse usando cualquiera de estos métodos, por favor contacte al Representante de Atención al Cliente en su área usando la información de contacto en nuestro sitio web. Conéctese a <a href="http://www.weber.com">www.weber.com</a>®.</p>		



## LIMPIEZA

- ⚠ **ADVERTENCIA:** Apague la barbacoa de gas Weber® y espere a que se enfríe antes de limpiarla.
- ⚠ **PRECAUCIÓN:** No limpie las barras Flavorizer® o las parrillas de cocción en un horno autolimpiante.

Para averiguar donde comprar las parrillas de cocción y las barras Flavorizer® de reemplazo, contacte al Representante de Atención al Cliente en su área usando la información de contacto en nuestro sitio web. Conéctese a [www.weber.com](http://www.weber.com).

**Superficies Externas** - Utilice una solución de agua jabonosa tibia para limpiarlas y luego enjuáguelas con agua.

- ⚠ **PRECAUCIÓN:** Sobre la superficie de la barbacoa o del carro no utilice limpiadores de horno, limpiadores abrasivos (limpiadores de cocinas), limpiadores que contengan productos cítricos, o almohadillas de limpieza abrasivas.

**Deslice Hacia Afuera La Bandeja Del Fondo** - Retire el exceso de grasa, luego lávela con agua jabonosa tibia y finalmente enjuáguela.

- ⚠ **Precaución:** No forre la bandeja inferior con hoja de aluminio.

**Barras Flavorizer® Y Rejillas De Cocción** - Límpielas con un cepillo de cerdas de acero inoxidable adecuado. Según se requiera, retírela de la barbacoa y lávela con agua jabonosa tibia y luego enjuáguela con agua.

**Plato Recolector** - Hay disponibles bandejas desechables de lámina de metal, o usted mismo puede forrar el plato recolector con papel aluminio. Para limpiar el plato recolector, lávelo con agua jabonosa tibia y luego enjuague.

**Termómetro** - Pásele un trapo con agua tibia jabonosa, y límpielo con una pelota plástica de fregar.

**Dentro Del Módulo De Cocción** - Quite cualquier resto de los tubos del quemador NO AGRANDE LAS ABERTURAS DE LOS QUEMADORES Lave la parte interior de la caja de cocción con agua jabonosa y luego enjuáguela con agua.

**Tapa Interna** - Mientras la tapa esté tibia, limpie la parte interna con una toalla de papel para prevenir la acumulación de grasa. La grasa acumulada escamada se asemeja a las escamas de pintura.

**Superficies De Acero Inoxidable** - Lávelas con un paño suave y una solución de agua y jabón. Tenga cuidado de fregarlas en la dirección del grano del acero inoxidable.

**No utilice limpiadores que contengan ácido, destilado de petróleo o xileno.** Enjuáguelas bien después de lavarlas.

**Preserve Su Acero Inoxidable** - La barbacoa o su gabinete, tapa, panel de control y estantes pudieran estar hechos de acero inoxidable. Es sencillo mantener vistoso al acero inoxidable. Límpielo con agua y jabón, enjuáguelo con agua limpia y séquelo con un trapo. Para partículas difíciles de sacar, se puede usar un cepillo no metálico.

- ⚠ **IMPORTANTE:** No utilice cepillos de alambre o limpiadores abrasivos sobre las superficies de acero inoxidable ya que las rayarán.
- ⚠ **IMPORTANTE:** Al limpiar las superficies asegúrese de frotar/restregar en la dirección del grano para preservar la vistosidad del acero inoxidable. ♦

## MALLAS WEBER® CONTRA ARAÑAS E INSECTOS

La barbacoa de gas Weber®, al igual que cualquier otro aparato de gas al aire libre, es un blanco para las arañas y demás insectos. Pueden crear sus nidos en la sección del venturi (1) del tubo quemador. Esto bloquea el flujo normal de gas, y puede causar que el gas fluya hacia atrás por la válvula de aire de combustión. Esto puede resultar en un fuego en y alrededor de las aberturas para el aire de combustión, causando un daño serio a la barbacoa.

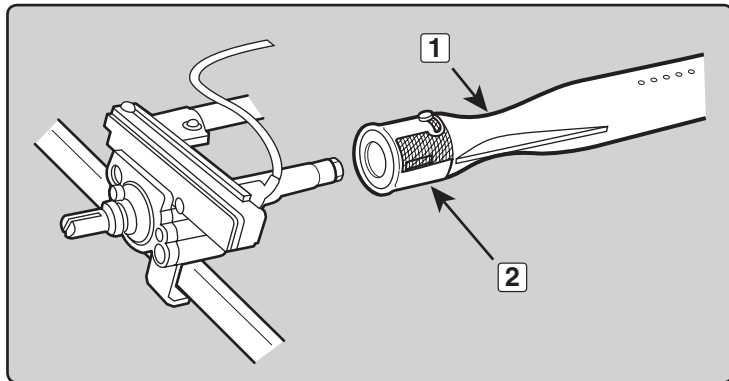
La compuerta de cierre del aire del tubo quemador está equipada con una malla (2) de acero inoxidable para prevenir la entrada de arañas e insectos a los tubos quemadores a través de las aberturas para el aire de combustión.

**Le recomendamos que inspeccione las mallas contra arañas e insectos por lo menos una vez al año. (Vea la sección: "MANTENIMIENTO ANUAL") También, inspeccione y limpie dichas mallas si cualquiera de los siguientes síntomas se presentase:**

- A) Olor a gas en conjunción con llamas del quemador con un apariencia muy amarilla y floja.
- B) La barbacoa no alcanza la temperatura de funcionamiento.
- C) La barbacoa se calienta de manera dispareja.
- D) Uno o más quemadores no se encienden.

### ⚠ PELIGRO

**El no corregir estos síntomas pudiera resultar en un fuego que puede causar lesiones corporales serias o la muerte y daños a la propiedad. ♦**



## LIMPIEZA DEL QUEMADOR PRINCIPAL

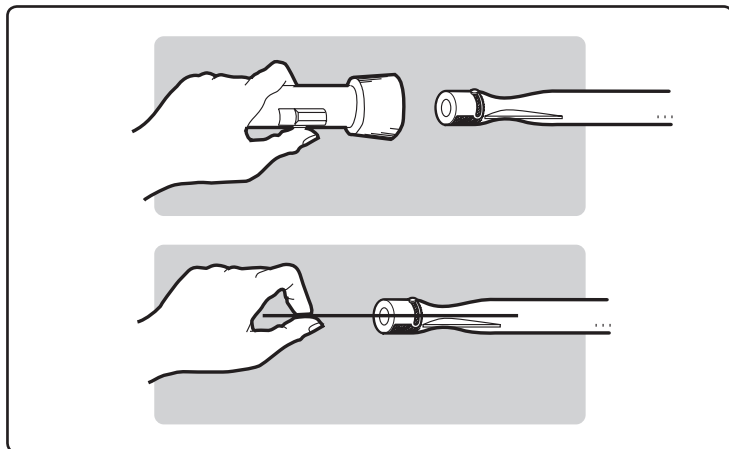
**CIERRE EL SUMINISTRO DE GAS.**

Retire el múltiple (vea "REEMPLACE LOS QUEMADORES PRINCIPALES").

Revise la parte interna de cada quemador con una linterna.

Limpie la parte interna de los quemadores con un alambre (un colgador de ropa enderezado funcionará bien). Revise y limpie la abertura de las compuertas de cierre del aire en los extremos de los quemadores. Revise y limpie los orificios de las válvulas en la base de las válvulas. Utilice un cepillo de cerdas de acero para limpiar la parte externa de los quemadores. Esto se hace para asegurarse de que las aberturas de los quemadores estén completamente abiertas.

- ⚠ **PRECAUCIÓN:** Al limpiar, no agrande las aberturas del quemador. ♦

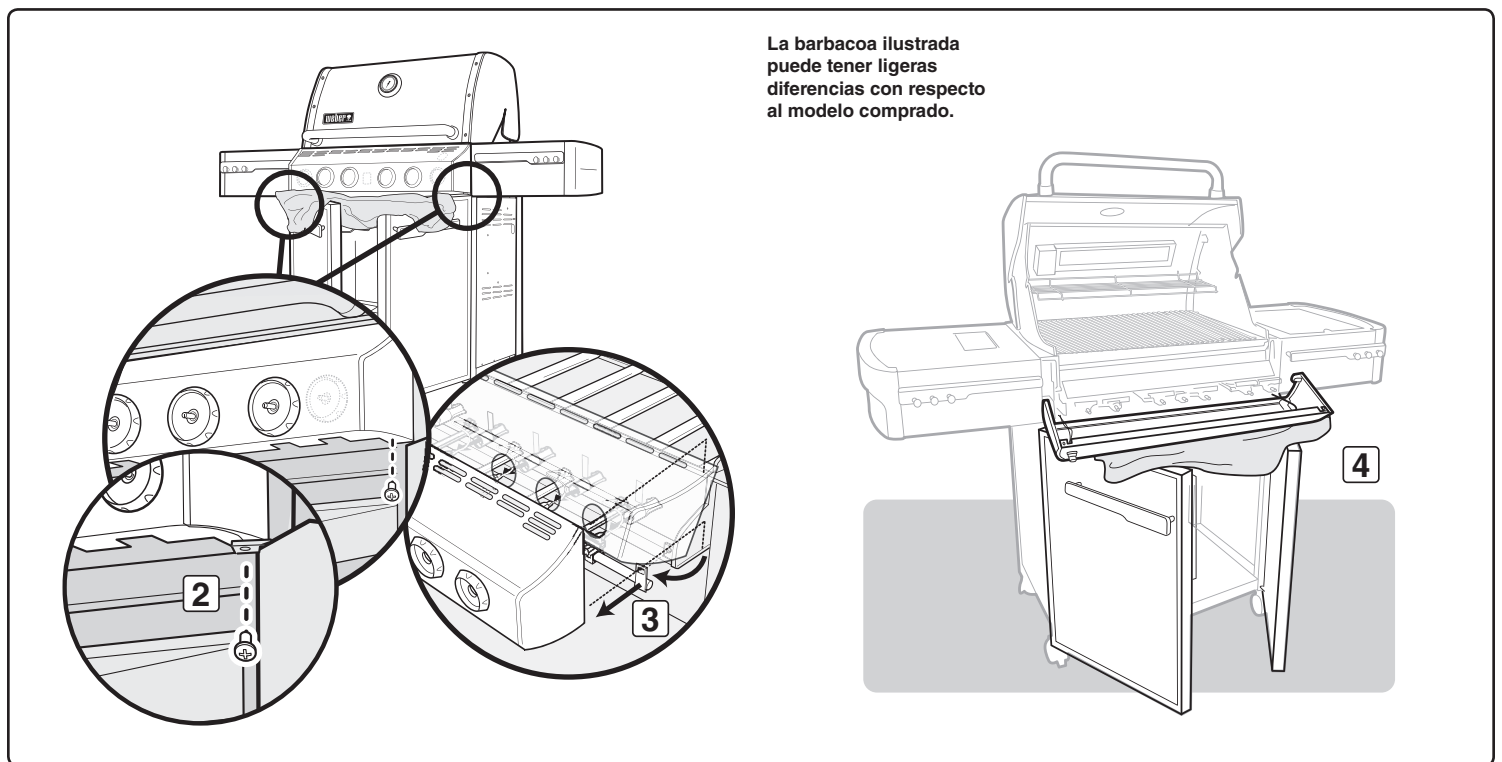
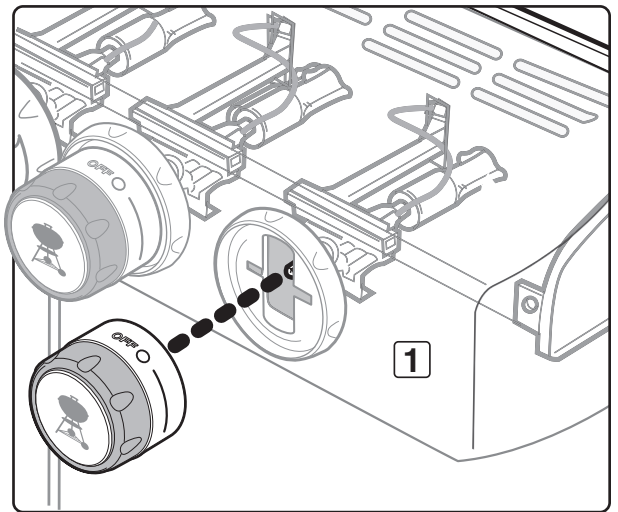


## REEMPLAZO DE LOS QUEMADORES PRINCIPALES

- A) Su barbacoa de gas Summit® debe estar apagada y fría.
- B) Cierre el gas en la fuente.
- C) Desconecte el suministro de gas.
- D) Retire las parrillas de cocción.
- E) Retire las barras Flavorizer®.
- F) Retire la caja de ahumado (si está incluida en su modelo).

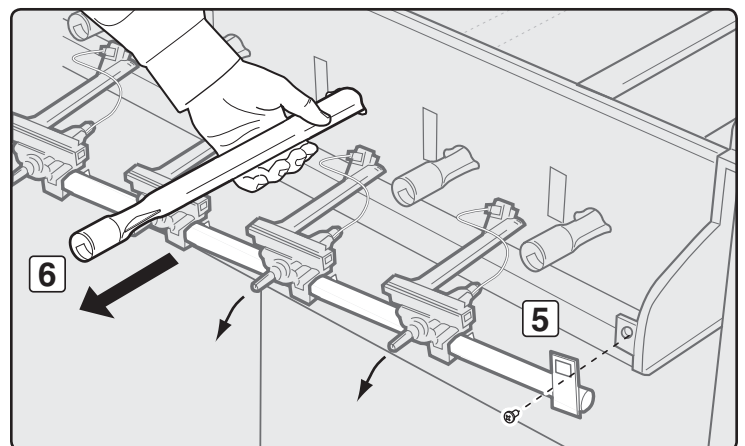
### Retire el panel de control

- G) Piezas requeridas: destornillador Phillips y una toalla.
  - a) Retire las perillas de control del quemador (1).
  - b) Abra ambas puertas y coloque una toalla sobre la parte superior de las mismas. **Esto evitará que el panel de control y las partes superiores de la puertas se rayen en el próximo paso.**
  - c) Con un destornillador Phillips, retire los tornillos en la parte inferior del panel de control (2).
  - d) Incline el panel de control hacia delante y levántelo halándolo en dirección contraria a la barbacoa (3) (Para los modelos Summit® con funciones LED: tenga cuidado de no romper o desconectar los cables de los LED del panel de control).
  - e) Coloque el panel de control sobre la toalla que cubre los ensamblajes de las puertas (4).



La barbacoa ilustrada puede tener ligeras diferencias con respecto al modelo comprado.

- H) Retire los dos tornillos que fijan el múltiple a la caja de cocción. Hale el ensamblaje del múltiple fuera del bastidor del mismo (5).
- I) Hale del bastidor del múltiple los tubos quemadores seleccionados y reemplácelos con los tubos quemadores nuevos (6).



# MANTENIMIENTO

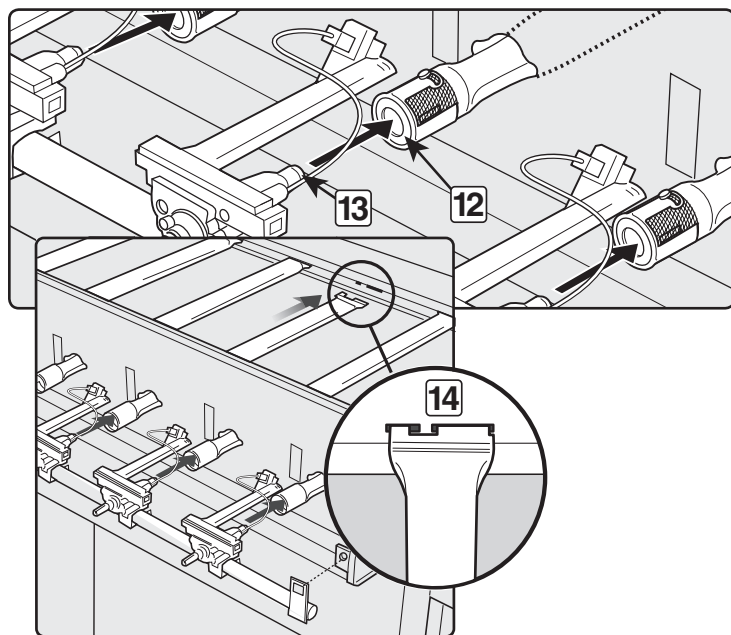
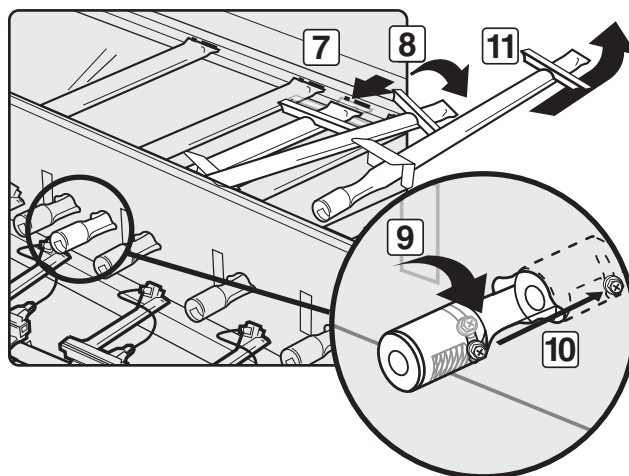
## Cómo sacar el quemador de la estación para dorar Sear Station®

Para sacar el quemador de la estación para dorar Sear Station®, hale el tubo quemador hacia usted. Eso lo saca de la muesca del tubo quemador (7). Luego gire el tubo en dirección de las agujas del reloj (8), cercionándose de girarlo de tal manera que el tornillo en el extremo del tubo (9) pase a través de la muesca en la abertura de la pantalla térmica (10). Cuando el tubo del quemador quede liberado, sáquelo del hogar de la barbacoa (11).

J) Para reinstalar el ensamblaje del múltiple, reverse los pasos G al I.

⚠ **PRECAUCIÓN:** Los agujeros del quemador (12) deben colocarse correctamente sobre los orificios de las válvulas (13). Asegúrese de que los extremos opuestos de los tubos quemadores (14) estén debidamente alineados en las ranuras del lado posterior de la caja de cocción. Antes de atornillar el múltiple en su sitio, verifique que esté correctamente ensamblado.

⚠ **ADVERTENCIA:** Tras reinstalar las líneas de gas y antes de usar la barbacoa, dichas líneas deberán inspeccionarse con una solución de agua y jabón para verificar de que no existan fugas de gas. (Vea “Compruebe que no haya fugas de gas.”) ♦



## MANTENIMIENTO DEL QUEMADOR LATERAL

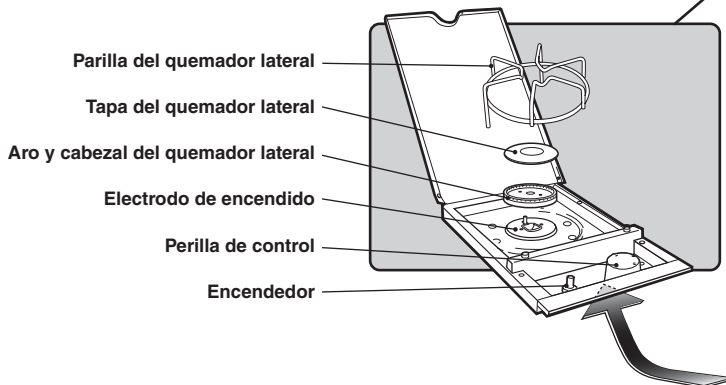
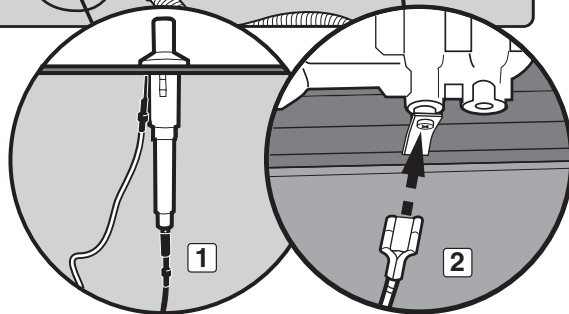
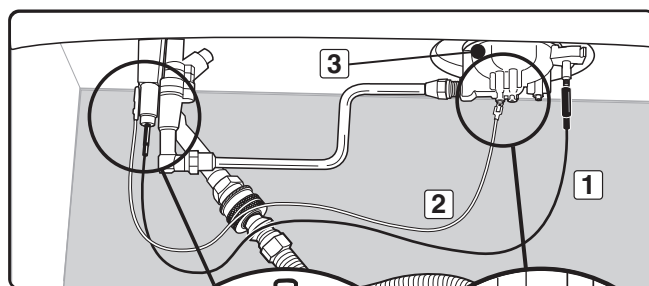
⚠ **ADVERTENCIA:** Todos los controles y válvulas de suministro de gas deberán estar cerrados en la posición APAGADO.

Asegúrese de que el cable negro esté conectado entre el encendedor y el electrodo.

Asegúrese de que el cable blanco esté conectado entre el encendedor y el clip de conexión a tierra.

La chispa deberá ser de color blanco/azul, no amarilla.

- A) Cable de encendido (1)
- B) Cable de conexión a tierra (2)
- C) Quemador (3) ♦



## MANTENIMIENTO ANUAL

### Inspección y limpieza de la malla contra arañas y demás insectos

Para inspeccionar la malla contra arañas y demás insectos, retire el panel de control. Si hubiese polvo o sucio sobre las mallas, retire los quemadores para limpiar las mallas.

Con un cepillo de cerdas suaves (p.ej.: un cepillo de dientes viejo), cepille suavemente las malla contra arañas y demás insectos.

**⚠ PRECAUCIÓN: No limpie las mallas contra arañas y demás insectos con herramientas duras o afiladas. No las desmonte ni agrande los orificios de las mismas.**

Golpee ligeramente el quemador para sacar la basura y suciedad fuera del tubo quemador. Una vez limpios, vuelva a colocar las mallas y quemadores en su sitio.

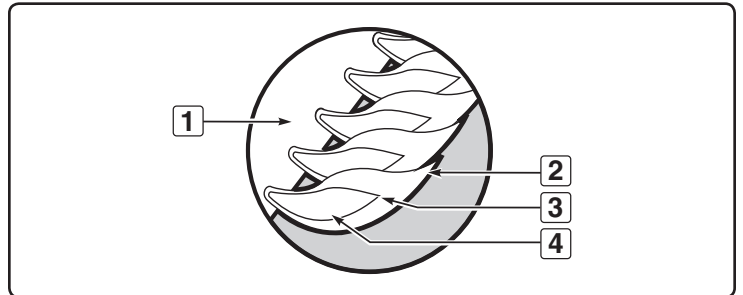
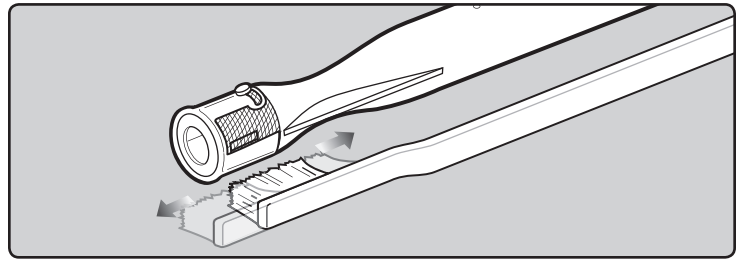
Si la malla contra arañas y demás insectos se dañase o no pudiese limpiarse, por favor póngase en contacto con el Representante de Servicios al Cliente de su zona, cuya datos de contacto encontrará en nuestro sitio en la Internet. Conéctese a [www.weber.com](http://www.weber.com).

### Patrón de la llama del quemador

Los quemadores de la barbacoa de gas Weber® han sido ajustados en la fábrica para que les entre la mezcla correcta de aire y gas. Acá se muestra el patrón correcto de la llama.

- A) Tubo quemador (1)
- B) Las puntas ocasionalmente titilarán con un color amarillo (2)
- C) Azul claro (3)
- D) Azul oscuro (4)

Si las llamas no se presentan de manera uniforme a lo largo del tubo quemador, siga las instrucciones de limpieza del quemador. ♦





# SUMMIT®



## GRILL A GAZ

### Mode d'emploi du Grill à gaz naturel

470

#56209



**VOUS DEVEZ LIRE CE MODE D'EMPLOI AVANT D'UTILISER VOTRE GRILL A GAZ.**

**⚠ DANGER**

S'il y a une odeur de gaz :

1. Coupez l'admission de gaz de l'appareil.
2. Éteindre toute flamme nue.
3. Ouvrir le couvercle.
4. Si l'odeur persiste, éloignez-vous de l'appareil et appelez immédiatement le fournisseur de gaz ou le service d'incendie.

Une fuite de gaz risque de provoquer un incendie ou une explosion susceptible d'occasionner des blessures graves, voire mortelles, ou des dégâts matériels.

**⚠ AVERTISSEMENT :**

1. Ne pas entreposer ni utiliser de l'essence ni d'autres vapeurs ou liquides inflammables dans le voisinage de l'appareil, ni de tout autre appareil.
2. Une bouteille de propane qui n'est pas raccordée en vue de son utilisation, ne doit pas être entreposée dans le voisinage de cet appareil ou de tout autre appareil.

**⚠ MISE EN GARDE : Suivez toutes les procédures de détection des fuites de ce manuel avec soin avant d'utiliser le barbecue. Faites-le même si le barbecue a été assemblé par le revendeur.**

**NOTE A L'INTENTION DE L'INSTALLATEUR :** Les présentes instructions doivent être remises au propriétaire et le propriétaire devrait les conserver pour les utiliser plus tard.

**CET APPAREIL A GAZ EST CONCU POUR UNE UTILISATION EN EXTERIEUR UNIQUEMENT.**

**⚠ MISE EN GARDE : N'essayez pas d'allumer cet appareil sans avoir lu la section "ALLUMAGE DU BRULEUR PRINCIPAL" de ce manuel.**



56209 02/01/10 NG  
FC - FRENCH CANADIAN



# MISE EN GARDE

## ⚠ DANGER

Le non respect des consignes intitulées Danger, Mise en garde et Attention contenues dans le présent Mode d'emploi peut entraîner une blessure grave ou la mort, ou un incendie ou une explosion provoquant des dommages à la propriété.

## ⚠ MISES EN GARDE

- ⚠ Ne stockez pas de bouteille de gaz propane liquide de rechange ou de bouteille de gaz propane liquide débranchée au-dessous ou à proximité de ce barbecue.
- ⚠ Un mauvais montage peut se révéler dangereux. Veuillez suivre les instructions de montage avec soin.
- ⚠ Après une période de stockage et/ou d'inutilisation, le barbecue à gaz Weber® devrait faire l'objet d'une vérification visant à détecter toute fuite et toute obstruction des brûleurs avant toute utilisation. Voir les instructions de ce manuel pour les procédures correctes.
- ⚠ N'utilisez pas le barbecue à gaz Weber® en cas de fuite.
- ⚠ N'utilisez pas de flamme pour détecter les fuites de gaz.
- ⚠ Aucune matière inflammable ne devrait jamais se trouver dans un rayon de 24 pouces par rapport à l'arrière ou aux côtés de votre barbecue à gaz Weber®.
- ⚠ Ne placez pas de bâche de protection de barbecue ni aucune matière inflammable sur la barbecue ou dans la zone de stockage au-dessous du barbecue.
- ⚠ Votre barbecue à gaz Weber® ne devrait jamais être utilisé par des enfants. Les pièces accessibles du barbecue peuvent atteindre une température très élevée. Maintenez les jeunes enfants à l'écart pendant son utilisation.
- ⚠ Vous devriez faire preuve d'une prudence raisonnable lorsque vous utilisez votre barbecue à gaz Weber®. Celui-ci sera très chaud pendant la cuisson ou le nettoyage et ne devrait jamais être laissé sans surveillance ni déplacé pendant son utilisation.
- ⚠ Si les brûleurs s'éteignent pendant l'utilisation, fermez toutes les valves de gaz. Ouvrez le couvercle puis patientez cinq minutes avant d'essayer de rallumer les brûleurs, en utilisant les instructions pour l'allumage.
- ⚠ N'utilisez pas de charbon de bois ni de pierres de lave dans votre barbecue à gaz Weber®.
- ⚠ Ne vous penchez jamais au-dessus du grill ouvert ou ne placez jamais les mains ou les doigts sur l'extrémité avant du boîtier de cuisson.
- ⚠ Si un feu de graisse se produisait, fermez tous les brûleurs et laissez le couvercle fermé jusqu'à ce que le feu s'éteigne.
- ⚠ N'élargissez pas les orifices des valves ou les ports des brûleurs lorsque vous nettoyez les valves ou les brûleurs.
- ⚠ Le barbecue à gaz Weber® devrait être nettoyé méticuleusement de façon régulière.
- ⚠ Le gaz propane liquide n'est pas du gaz naturel. La conversion ou la tentative d'utilisation de gaz naturel dans un appareil à propane liquide ou de gaz propane liquide dans un appareil à gaz naturel est dangereuse et annulera votre garantie.
- ⚠ Utilisez des gants pour barbecue résistants à la chaleur lorsque vous utilisez le barbecue.
- ⚠ Maintenez tout cordon électrique d'alimentation ainsi que le tuyau d'alimentation en combustible à l'écart de toute surface chauffée.
- ⚠ Les dérivés de combustion générés lors de l'utilisation de ce produit contiennent des agents chimiques reconnus par l'Etat de Californie comme provoquant des cancers, des anomalies congénitales ou d'autres troubles de la reproduction.
- ⚠ N'utilisez ce barbecue que si toutes les pièces sont en place. Cet appareil doit être correctement assemblé conformément aux instructions de montage.
- ⚠ N'intégrez pas ce modèle de grill à n'importe quelle construction encastrée ou à glissière. Le non respect de cet Avertissement risque de provoquer un incendie ou une explosion susceptible de provoquer des dégâts matériels ainsi que des blessures graves voire un décès.

## APPAREILS A GAZ PROPANE UNIQUEMENT:

- ⚠ Utilisez l'ensemble régulateur de pression et tuyau fourni avec votre barbecue à gaz Weber®.
- ⚠ Ne tentez pas de déconnecter l'ensemble régulateur et tuyau de gaz ni tout autre raccord de gaz pendant que vous utilisez votre barbecue.
- ⚠ L'utilisation d'une bouteille de gaz propane liquide comportant une bosse ou d'une bouteille rouillée peut être dangereuse et une telle bouteille devrait être vérifiée par votre fournisseur de propane. N'utilisez pas une bouteille de propane liquide dont la valve est détériorée.
- ⚠ Bien que votre bouteille de propane liquide puisse sembler vide, il est possible qu'elle contienne encore du gaz, et la bouteille devrait être transportée et stockée en conséquence.
- ⚠ Si vous voyez, sentez ou entendez du gaz s'échapper de la bouteille de propane liquide:
  1. Eloignez-vous de la bouteille de propane liquide.
  2. Ne tentez pas de corriger le problème vous-même.
  3. Appelez votre service incendie. ♦

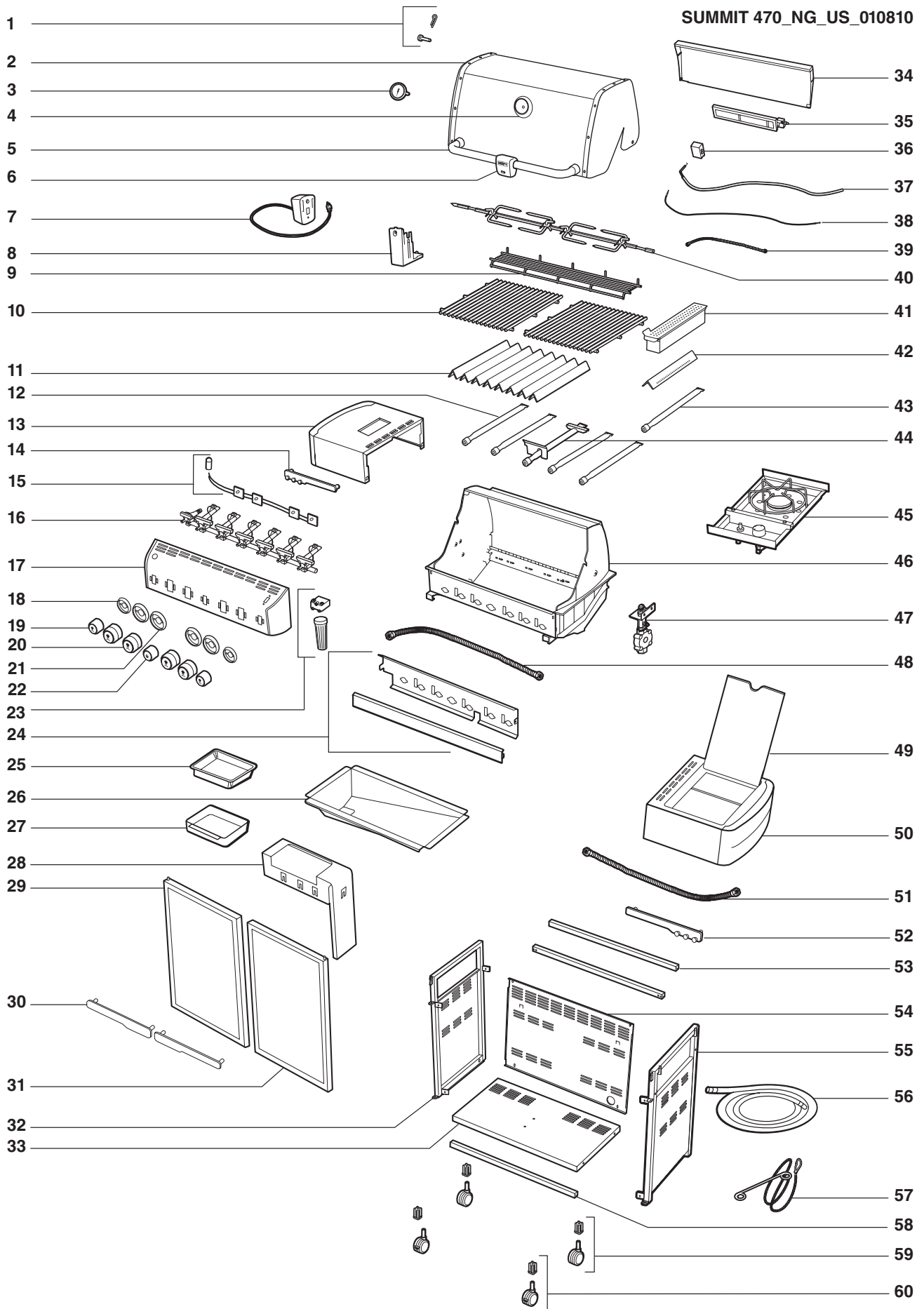


# TABLE DES MATIERES

<b>MISE EN GARDE</b> .....	<b>74</b>	<b>ALLUMAGE &amp; UTILISATION DE VOTRE SEAR STATION®</b> . . . . .	<b>93</b>
<b>TABLE DES MATIERES</b> .....	<b>75</b>	ALLUMAGE DU BRULEUR SEAR STATION® .....	93
<b>VUE ECLATEE</b> .....	<b>76</b>	POUR ETEINDRE .....	93
<b>LISTE DE LA VUE ECLATEE</b> .....	<b>77</b>	ALLUMAGE MANUEL DU BRULEUR SEAR STATION® .....	94
<b>GARANTIE</b> .....	<b>78</b>	POUR ETEINDRE .....	94
<b>GENERALITES</b> .....	<b>79</b>	UTILISATION DU BRULEUR SEAR STATION® .....	94
INSTALLATION AU CANADA .....	79	<b>ALLUMAGE &amp; UTILISATION DU BRULEUR DU FUMOIR</b> . . . . .	<b>95</b>
STOCKAGE .....	79	ALLUMAGE DU BRULEUR DU FUMOIR .....	95
UTILISATION .....	79	POUR ETEINDRE .....	95
TEST DE L'ALIMENTATION EN GAZ .....	79	ALLUMAGE MANUEL DU BRULEUR DU FUMOIR .....	96
<b>INSTRUCTIONS CONCERNANT LE GAZ</b> .....	<b>80</b>	POUR ETEINDRE .....	96
INSTALLATION DE L'ALIMENTATION EN GAZ .....	80	UTILISATION DU FUMOIR .....	97
TYPE DE GAZ .....	81	NETTOYAGE DU FUMOIR .....	97
QU'EST-CE QUE LE GAZ NATUREL ? .....	81	<b>ALLUMAGE &amp; UTILISATION DU</b>	
INSTALLATION PORTATIVE .....	81	<b>BRULEUR DE LA ROTISSOIRE</b> .....	<b>98</b>
PREPARATION POUR LA DETECTION DES FUITES .....	82	ALLUMAGE DU BRULEUR DE LA ROTISSOIRE .....	98
VERIFICATION DU RACCORD ENTRE LE TUYAU SOUPLE ET LE		POUR ETEINDRE .....	98
COLLECTEUR .....	83	ALLUMAGE MANUEL DU BRULEUR DE LA ROTISSOIRE .....	99
DETECTION DES FUITES DE GAZ .....	83	POUR ETEINDRE .....	99
<b>FONCTIONNALITES D'ECLAIRAGE</b> .....	<b>85</b>	AVANT D'UTILISER VOTRE RÔTISSOIRE .....	100
LAMPE DE POIGNEE WEBER® GRILL OUT™ .....	85	UTILISATION DE LA ROTISSOIRE .....	100
BOUTONS DE COMMANDES ECLAIRES .....	85	CUISSON A L'AIDE DE LA ROTISSOIRE .....	101
<b>AVANT D'UTILISER VOTRE GRILL</b> .....	<b>85</b>	STOCKAGE DU MOTEUR DE LA ROTISSOIRE .....	101
PLATEAU-EGOUTTOIR AMOVIBLE ET EGOUTTOIR JETABLE .....	85	STOCKAGE DE LA BROCHE DE LA ROTISSOIRE .....	101
<b>UTILISATION DE L'ALLUMAGE A DECLIC</b> .....	<b>86</b>	<b>RESOLUTION DES PROBLEMES</b> .....	<b>102</b>
<b>ALLUMAGE &amp; UTILISATION DU BRULEUR PRINCIPAL</b> . . . . .	<b>87</b>	<b>RESOLUTION DES PROBLEMES</b>	
ALLUMAGE DU BRÛLEUR PRINCIPAL .....	87	<b>DU BRULEUR LATERAL</b> .....	<b>102</b>
POUR ETEINDRE .....	87	<b>RESOLUTION DES PROBLEMES</b>	
ALLUMAGE MANUEL DU BRULEUR PRINCIPAL .....	88	<b>DE VOTRE SEAR STATION®</b> .....	<b>103</b>
POUR ETEINDRE .....	88	<b>RESOLUTION DES PROBLEMES</b>	
<b>ASTUCES &amp; CONSEILS UTILES POUR LES GRILLADES</b> . . . . .	<b>89</b>	<b>DE LA ROTISSOIRE</b> .....	<b>103</b>
<b>METHODES DE CUISSON</b> .....	<b>90</b>	<b>RESOLUTION DES PROBLEMES</b>	
CUISSON DIRECTE .....	90	<b>DE LA LAMPE DE POIGNEE GRILL OUT™</b> .....	<b>103</b>
CUISSON INDIRECTE .....	90	<b>MAINTENANCE</b> .....	<b>104</b>
<b>ALLUMAGE &amp; UTILISATION DU BRULEUR LATERAL</b> . . . . .	<b>91</b>	NETTOYAGE .....	104
ALLUMAGE DU BRULEUR LATERAL .....	91	GRILLES ANTI-ARAIGNEES/INSECTES WEBER® .....	104
ALLUMAGE MANUEL DU BRULEUR LATERAL .....	92	NETTOYAGE DU BRULEUR PRINCIPAL .....	104
		REMPACEMENT DES BRULEURS PRINCIPAUX .....	105
		MAINTENANCE DU BRULEUR LATERAL .....	106
		MAINTENANCE ANNUELLE .....	107

# VUE ECLATEE

SUMMIT 470\_NG\_US\_010810



## LISTE DE LA VUE ECLATEE

- |  |  |                                  |
|--|--|----------------------------------|
| 1. Matériel du châssis                         | 21. Bec du grand bouton                      | 41. Boîtier du fumoir            |
| 2. Châssis                                     | 22. Bouton Sear Station®                     | 42. Barre du fumoir              |
| 3. Thermomètre                                 | 23. Logement des piles                       | 43. Brûleur du fumoir            |
| 4. Bec du thermomètre                          | 24. Déflecteur à eau/Protection anti-chaleur | 44. Brûleur Sear Station®        |
| 5. Poignée                                     | 25. Egouttoir jetable                        | 45. Brûleur latéral              |
| 6. Lampe de poignée Grill Out™                 | 26. Plateau-égouttoir amovible               | 46. Boîtier de cuisson           |
| 7. Moteur de la rôtissoire                     | 27. Egouttoir                                | 47. Tête de brûleur              |
| 8. Support de la rôtissoire                    | 28. Support pour égouttoir                   | 48. Tuyau du collecteur          |
| 9. Grille de maintien au chaud                 | 29. Porte gauche                             | 49. Couvercle du brûleur latéral |
| 10. Grilles de cuisson                         | 30. Poignées de portes                       | 50. Tablette du brûleur latéral  |
| 11. Barres Flavorizer®                         | 31. Porte droite                             | 51. Tuyau du brûleur latéral     |
| 12. Tubes du brûleur                           | 32. Panneau du châssis gauche                | 52. Porte-ustensiles de droite   |
| 13. Tablette latérale                          | 33. Panneau inférieur                        | 53. Support du châssis           |
| 14. Porte-ustensiles de gauche                 | 34. Cache du brûleur IR                      | 54. Panneau arrière              |
| 15. Harnais de câblage du panneau de commandes | 35. Brûleur à infrarouge                     | 55. Panneau du châssis droit     |
| 16. Collecteur                                 | 36. Boîtier du brûleur IR                    | 56. Tuyau pour le gaz naturel    |
| 17. Panneau de commandes                       | 37. Câble de l'allumeur du brûleur IR        | 57. Porte-allumette              |
| 18. Bec du petit bouton                        | 38. Thermocouple                             | 58. Support du châssis avant     |
| 19. Petit bouton                               | 39. Tuyau du brûleur IR                      | 59. Roulette                     |
| 20. Grand bouton                               | 40. Assemblage de la broche de la rôtissoire | 60. Roulette à verrouillage      |

# GARANTIE

Weber-Stephen Products Co. (Weber) garantit par le présent document à l'ACHETEUR D'ORIGINE de ce grill à gaz Weber® que celui-ci ne comportera aucun défaut de pièce ni de main d'oeuvre à compter de la date d'achat comme suit :

Fonte d'aluminium,	25 ans (2 ans pour l'apinture à l'exception de toute décoloration)
Structure en acier inoxydable,	25 ans
Structure émaillée,	25 ans
Tubes du brûleur en acier inoxydable,	10 ans
Grilles de cuisson en acier inoxydable,	5 ans sans trou provoqué par la rouille ou par une brûlure
Barres Flavorizer® en acier inoxydable,	5 ans sans trou provoqué par la rouille ou par une brûlure
Grilles de cuisson en fonte fer émaillée,	5 ans sans trou provoqué par la rouille ou par une brûlure
Grilles de cuisson émaillées,	3 ans sans trou provoqué par la rouille ou par une brûlure
Barres Flavorizer® émaillées,	2 ans sans trou provoqué par la rouille ou par une brûlure
Brûleur de la rôtissoire à infrarouge,	2 ans
Toutes les autres pièces,	2 ans

à condition qu'il ait été assemblé et utilisé conformément aux instructions imprimées qui l'accompagnent. Weber peut exiger une preuve raisonnable de votre date d'achat. VOUS DEVRIEZ DONC CONSERVER VOTRE TICKET DE CAISSE OU VOTRE FACTURE.

La présente Garantie limitée est limitée à la réparation ou au remplacement des pièces qui s'avèrent défectueuses dans le cadre d'une utilisation normale et d'un entretien normal et dont l'examen indique, à la satisfaction de Weber, qu'elles sont défectueuses. Avant de retourner toute pièce, veuillez entrer en contact avec le Représentant du Service clientèle le plus proche grâce aux coordonnées à votre disposition sur notre site Internet. Si Weber confirme le défaut et approuve la demande, Weber choisira de remplacer ces pièces sans frais. S'il vous est demandé de retourner les pièces défectueuses, les frais de transport devront être prépayés. Weber retournera les pièces à l'acheteur, franco de port.

La présente Garantie limitée ne couvre pas toute défaillance ou difficulté d'utilisation provoquée par un accident, une utilisation abusive, une mauvaise utilisation, une altération, une mauvaise application, un acte de vandalisme, une installation incorrecte ou une maintenance ou un entretien incorrects, ou le défaut d'entretien normal et régulier, y compris mais pas seulement les dommages provoqués par des insectes à l'intérieur des tubes du brûleur, tel que décrit dans le présent mode d'emploi.

Toute détérioration ou tout dommage résultant de conditions météorologiques graves comme de la grêle, des ouragans, des séismes ou des tornades, toute décoloration résultant d'une exposition à des agents chimiques directement ou dans l'atmosphère, n'est pas couverte dans le cadre de la présente Garantie limitée.

Il n'existe aucune autre garantie expresse hormis celles exposées dans le présent document et toute garantie de commercialisation et de bon état induite est limitée en durée à la période de couverture de la présente Garantie limitée écrite expresse. Certaines régions n'autorisent pas de limitation de durée de la garantie induite ; il est donc possible que cette limitation ne s'applique pas à vous.

Weber ne peut être tenu pour responsable de tout dommage particulier, induit ou se produisant par voie de conséquence. Certaines régions n'autorisent pas l'exclusion ou la limitation des dommages indirects ou se produisant par voie de conséquence ; il est donc possible que cette limitation ou exclusion ne s'applique pas à vous.

Weber n'autorise aucune personne ou société à présumer en son nom de toute autre obligation ou responsabilité en relation avec la vente, l'installation, l'utilisation, le retrait, le retour ou le remplacement de ses équipements ; et aucune de ces représentations ne lie Weber.

La présente Garantie s'applique uniquement aux produits vendus au détail.

## WEBER-STEPHEN PRODUCTS CO.

Product Registration  
P.O. Box 40530  
Burlington, ON L7P 4W1

Pour des pièces de rechange, appelez le :

1-800-265-2150  
www.weber.com®

Connectez-vous sur [www.weber.com](http://www.weber.com)®, sélectionnez votre pays d'origine, et enregistrez votre grill aujourd'hui. ♦

Votre barbecue à gaz Weber® est un appareil de cuisson d'extérieur portatif. Avec le barbecue à gaz Weber® vous pouvez faire des grillades, cuire au barbecue, rôtir et cuire avec des résultats difficilement reproductibles avec des appareils de cuisine d'intérieur. Le couvercle fermé et les barres Flavorizer® produisent cette saveur "d'extérieur" particulière dans les aliments.

Le barbecue à gaz Weber® est portatif de sorte que vous puissiez facilement modifier son emplacement dans votre cour ou votre patio. Son caractère transportable signifie que vous pouvez emmener votre barbecue Weber® avec vous lors de vos déplacements.

L'alimentation en gaz naturel est simple à utiliser et vous donne davantage de contrôle sur la cuisson que le charbon de bois.

- Les présentes instructions vous fourniront les exigences minimales pour le montage de votre barbecue à gaz Weber®. Veuillez lire les instructions attentivement avant d'utiliser votre barbecue à gaz Weber®. Un mauvais montage peut être dangereux.
- Ne convient pas à une utilisation par des enfants.
- Si des codes régionaux s'appliquent aux grills à gaz portatifs, vous devrez les respecter. L'installation doit être conforme aux codes régionaux ou, en l'absence de tels codes, avec le Code national des gaz combustibles, ANSI Z223.1/NFPA 54, le Code des installations aux gaz naturel et propane, CSA B149.1, ou le Code relatif au stockage et à la manipulation de propane, B149.2, ou à la Norme relative aux véhicules de loisirs, ANSI A 119.2/NFPA 1192, et Séries CSA Z240 RV, Codes des véhicules de loisirs, le cas échéant.
- Ce barbecue à gaz Weber® est conçu pour une utilisation avec du gaz naturel (gaz de ville) uniquement. N'utilisez pas de gaz en provenance d'une bouteille de propane liquide (PL). Les valves, les orifices et le tuyau conviennent uniquement à une utilisation avec du gaz naturel.
- N'utilisez pas votre barbecue avec du charbon de bois.
- Vérifiez que la zone au-dessous du panneau de commande et le plateau inférieur ne comportent aucun débris susceptible de faire obstacle à la circulation de l'air nécessaire à la combustion ou à la ventilation. ♦

## INSTALLATION AU CANADA

Les présentes instructions, bien que généralement acceptables, ne sont pas nécessairement conformes aux Codes d'installation canadiens, en particulier en ce qui concerne les canalisations aériennes et souterraines. Au Canada, l'installation de cet appareil doit être conforme aux codes régionaux et/ou aux Normes CAN/CGA-B149.1 (Code relatif à l'installation des appareils et équipements à combustion de gaz naturel). ♦

## STOCKAGE

- Le gaz doit être fermé au niveau de l'arrivée de gaz naturel lorsque le barbecue à gaz Weber® est inutilisé.
- Lorsque le barbecue à gaz Weber® est stocké à l'intérieur, l'arrivée de gaz doit être débranchée.
- Le barbecue à gaz Weber® devrait faire l'objet de vérifications de détection des fuites et vous devriez vérifier l'absence d'obstruction des tubes du brûleur avant de l'utiliser. (Voir la Section : "MAINTENANCE/MAINTENANCE ANNUELLE").
- Vérifiez que les zones situées sous le panneau de commande et le plateau inférieur amovible ne comportent aucun débris susceptible de faire obstacle à la circulation de l'air nécessaire à la combustion et à la ventilation.
- Les Grilles anti-araignées/insectes devraient également être inspectées à la recherche de tout obstacle. (Voir la Section : "MAINTENANCE/MAINTENANCE ANNUELLE") ♦.

## UTILISATION

- ⚠ **MISE EN GARDE: N'utilisez ce barbecue qu'en extérieur dans une zone bien ventilée. Ne l'utilisez pas dans un garage, un bâtiment, un passage couvert ou toute autre zone confinée.**
- ⚠ **MISE EN GARDE: Votre barbecue à gaz Weber® ne doit pas être utilisé au-dessous d'une structure inflammable.**
- ⚠ **MISE EN GARDE: Votre barbecue à gaz Weber® n'est pas conçu pour être installé dans ou sur un véhicule de loisirs et/ou un bateau.**
- ⚠ **MISE EN GARDE: N'utilisez pas le barbecue dans un rayon de 24 pouces de toute matière inflammable. Ceci inclut le haut, le bas, l'arrière ou les côtés du grill.**
- ⚠ **MISE EN GARDE: La totalité du boîtier de cuisson devient très chaude pendant son utilisation. Ne le laissez pas sans surveillance.**
- ⚠ **MISE EN GARDE: Maintenez tout cordon électrique ainsi que le tuyau d'alimentation en combustible à l'écart de toute surface chauffée.**
- ⚠ **MISE EN GARDE: Maintenez la zone de cuisson dégagée de toute émanation et de tout liquide inflammables comme de l'essence, de l'alcool, etc., et de toute matière inflammable.**

## TEST DE L'ALIMENTATION EN GAZ

- Déconnectez votre barbecue à gaz Weber® lorsque l'arrivée de gaz est testée à des pressions élevées. Cet appareil et sa valve de fermeture individuelle doivent être déconnectés de la canalisation d'arrivée de gaz pendant tout test de pression à des pressions de test supérieures à 1/2 psig (3,5 kPa).
- Fermez votre barbecue à gaz Weber® pendant le test de l'arrivée de gaz à de basses pressions. Cet appareil doit être isolé de la canalisation d'arrivée de gaz en fermant sa valve de fermeture manuelle individuelle lors de tout test sous pression de la canalisation d'arrivée de gaz à une pression égale ou inférieure à 1/2 psig (3,5 kPa) ♦.

# INSTRUCTIONS CONCERNANT LE GAZ

## INSTALLATION DE L'ALIMENTATION EN GAZ

### Spécifications Générales Relatives À La Canalisation

**Remarque :** Veuillez entrer en contact avec votre municipalité pour prendre connaissance des codes de construction réglementant les installations de barbecues à gaz d'extérieur. En l'absence de Codes régionaux, vous devez vous conformer à la dernière édition du Code national des gaz combustibles : ANSI Z 223.1/NFPA 54, ou CAN/CGA-B149.1, Code des installations au gaz naturel et propane. **NOUS RECOMMANDONS QUE CETTE INSTALLATION SOIT EFFECTUEE PAR UN PROFESSIONNEL.**

Certaines des exigences ci-dessous sont des exigences générales de la dernière édition du Code national des gaz combustibles : ANSI Z 223.1/NFPA 54, ou CAN/CGA-B149.1, Code des installations au gaz naturel et propane pour des spécifications exhaustives.

- Ce barbecue est conçu pour fonctionner avec une pression de colonne d'eau de 4.5 pouces (0,163 psi).
- Une valve de fermeture manuelle doit être installée en extérieur, immédiatement avant la déconnexion rapide.
- Une valve de fermeture manuelle supplémentaire à l'intérieur devrait être installée dans la conduite d'alimentation en combustible annexe en un endroit accessible près de la conduite d'alimentation en gaz.
- La déconnexion rapide se raccorde à un tuyau NPT de 1/2 pouce à partir de la source de gaz. Le raccord de déconnexion rapide est un dispositif manuel qui arrête automatiquement le débit de gaz en provenance de la source lorsque le barbecue est débranché.
- Le raccord de déconnexion rapide peut être installé horizontalement, ou orienté vers le bas. L'installation du raccord avec l'extrémité ouverte orientée vers le haut peut entraîner l'accumulation d'eau et de débris.
- Les caches anti-poussière (bouchons de plastique fournis) contribuent à maintenir les extrémités ouvertes du raccord de déconnexion rapide propre lorsqu'ils sont déconnectés.
- L'élément de canalisation utilisé devrait être résistant à l'action du gaz naturel lorsque les raccords sont effectués.
- Le connecteur d'extérieur doit être fermement fixé à une construction rigide et permanente.

**⚠ MISE EN GARDE: Ne faite spas passer le tuyau de 10 pieds sous un cache. Le tuyau doit être visible.**

### Conduite de gaz

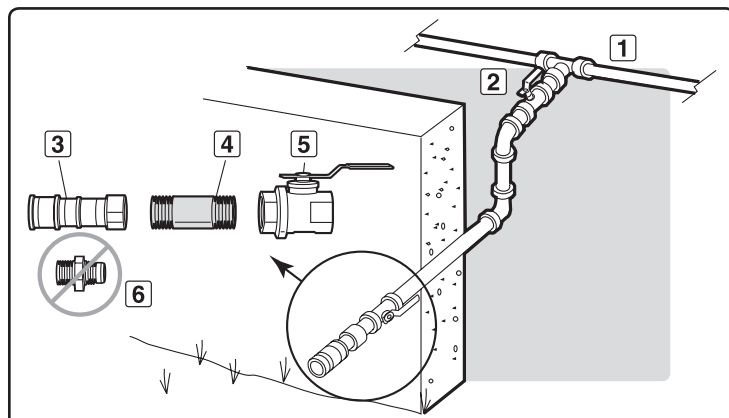
- Si la longueur de canalisation nécessaire n'excède pas 50 pieds, utilisez un tube de 5/8" O.D.. Une taille supérieure devrait être utilisée pour les longueurs supérieures à 50 pieds.
- La conduite de gaz peut être en tuyaux de cuivre, de type K ou L ; en tuyaux de plastique polyéthylène, avec une épaisseur de paroi minimale de 0,062 pouce ; ou de l'acier de poids standard (taille 40) ou en tuyau de fer forgé.
- Les tuyaux de cuivre doivent être recouverts d'étain si le gaz contient plus de 0,3 grammes de sulfure d'hydrogène pour 100 pieds cubes de gaz.
- Les tuyaux en plastique conviennent pour une utilisation souterraine en extérieur.
- Les canalisations de gaz en contact avec la terre, ou toute autre matière susceptible de corroder la canalisation, doivent être protégées contre la corrosion d'une manière homologuée.
- Les canalisations souterraines doivent être recouvertes d'une épaisseur minimale de 18".

### Test des raccords

Tous les raccords et les joints doivent faire l'objet de contrôles de détection des fuites conformément aux codes régionaux et à toutes les procédures figurant dans la dernière édition du Code national des gaz combustibles : ANSI Z 223.1/NFPA 54, ou CAN/CGA-B149.1

### ⚠ DANGER

**N'utilisez pas de flamme nue pour détecter les fuites de gaz. Assurez-vous de l'absence d'étincelles ou de flammes nues dans la zone où vous détectez les fuites. Ceci provoquerait un incendie ou une explosion susceptible de provoquer une blessure grave ou la mort ainsi que des dommages à la propriété. ♦**



**C'est une installation typique d'un barbecue de gaz naturel de Weber®. codes locaux peuvent exiger différentes installations.**

### MUR INTÉRIEUR

1	Arrivée de gaz	2	Robinet d'arrêt
---	----------------	---	-----------------

### MUR EXTÉRIEUR

3	Raccord rapide	4	1/2" mamelon de tuyau
5	Robinet d'arrêt verrouillable	6	Pas l'usage

# INSTRUCTIONS CONCERNANT LE GAZ

## TYPE DE GAZ

Votre grill à gaz est conçu en usine pour fonctionner avec du gaz naturel uniquement. Ne tentez jamais d'utiliser votre grill avec d'autres gaz que le type spécifié sur les plaques nominales du grill.

Votre grill fonctionne avec une pression de colonne d'eau de 4.5". Si le remplacement du tuyau s'avère nécessaire, vous devez obligatoirement utiliser les pièces spécifiées en usine. Veuillez consulter le revendeur le plus proche.

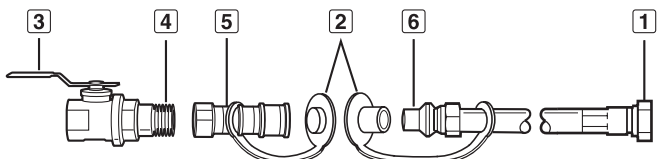
Pour des raisons de sécurité et de conception, la conversion d'un grill à gaz Weber® d'une utilisation avec du Gaz naturel à une utilisation avec du gaz PL n'est pas autorisée. ♦

## QU'EST-CE QUE LE GAZ NATUREL ?

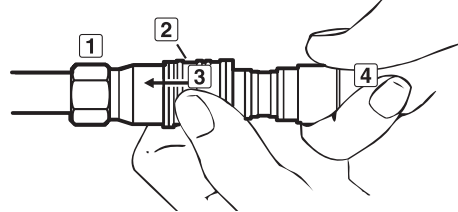
Le gaz naturel, souvent appelé méthane, est un combustible moderne et sûr. Le gaz naturel vous est fourni par votre service public local et devrait être disponible facilement dans votre maison si celle-ci est déjà chauffée au gaz. ♦

## INSTALLATION PORTATIVE

Weber® recommande de déplacer le grill à au moins deux pieds d'écart par rapport à l'arrivée de gaz et à toute surface inflammable. Une fois que l'arrivée de gaz a été installée et que vous avez effectué la détection des fuites conformément aux instructions de montage, vous êtes prêt à utiliser le grill. Pour raccorder le tuyau à l'arrivée de gaz, retirez le raccord externe, insérez le raccord du tuyau jusqu'au bout, puis relâchez le raccord externe. Cette procédure produira un raccord de gaz. ♦



1	Raccord à charnière
2	Mettez les couvercles en place lorsque le tuyau est débranché
3	Valve de fermeture
4	Enduisez ce raccord de conduite de pâte à joint résistante au gaz
5	Prise
6	Fiche mâle



1	Prise
2	Cache
3	Repoussez l'étui en arrière
4	Fiche

Enfoncez la fiche vers l'avant jusqu'à ce que l'étui s'encastre, bloquant ainsi la fiche dans la prise.  
(Ceci ouvre automatiquement le gaz.)

Lorsqu'elle est montée correctement, la fiche ne peut pas être retirée si vous ne repoussez pas le cache en l'arrière.

Pour débrancher, repoussez le cache en arrière puis retirez la fiche de la prise.  
(Ceci coupe automatiquement le gaz.)



# INSTRUCTIONS CONCERNANT LE GAZ

## PREPARATION POUR LA DETECTION DES FUITES

### Vérifiez que toutes les valves du brûleur sont fermées

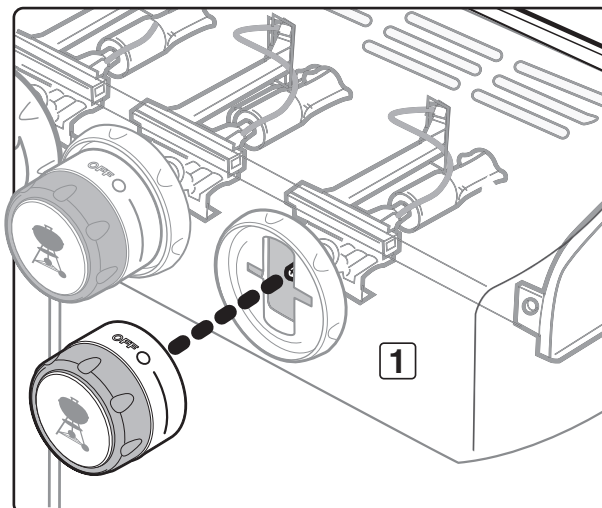
Les valves sont expédiées en position fermée (OFF), mais vous devriez vérifier pour vous assurer qu'elles sont fermées. Vérifiez en enfonçant puis en tournant dans le sens des aiguilles d'une montre. Si elles ne tournent pas, elles sont fermées. Si elles tournent, continuez à les tourner dans le sens des aiguilles d'une montre jusqu'à ce qu'elles s'arrêtent, ensuite elles seront fermées.

**⚠ MISE EN GARDE : Les raccords de gaz de votre grill à gaz Summit® ont été testés en usine. Nous vous recommandons néanmoins d'effectuer un contrôle de détection des fuites pour la totalité des raccords de gaz avant toute utilisation de votre grill à gaz Summit®.**

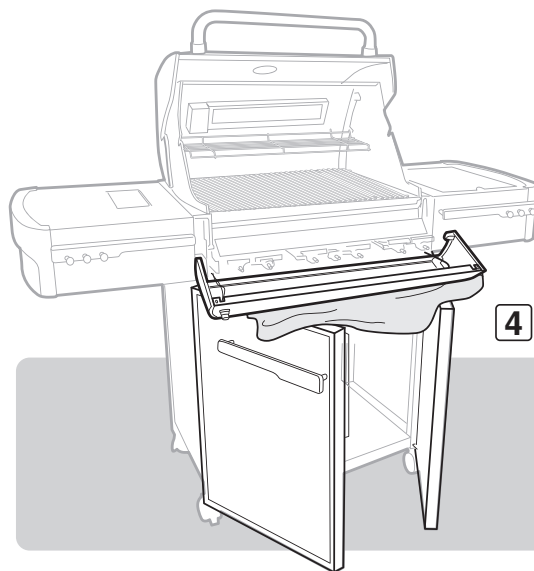
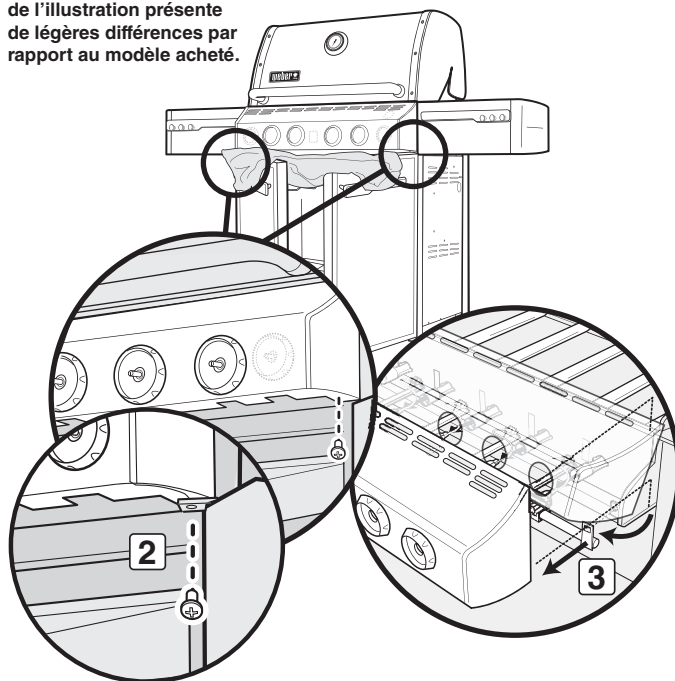
### Retirer le panneau de commandes

Pièces nécessaires : un tournevis cruciforme et une serviette.

- A) Retirez les boutons de commande du brûleur (1).
- B) Ouvrez les deux portes puis placez une serviette au-dessus des portes. Ceci protégera le panneau de commandes ainsi que les dessus des portes contre les rayures au cours de l'étape suivante.
- C) Retirez les vis du dessous du panneau de commandes à l'aide d'un tournevis cruciforme (2).
- D) Inclinez le panneau de commandes vers l'avant et soulevez-le pour l'éloigner du grill (3).
- E) Placez le panneau de commandes sur la serviette qui recouvre l'ensemble des portes (4). ♦



Il est possible que le grill de l'illustration présente de légères différences par rapport au modèle acheté.



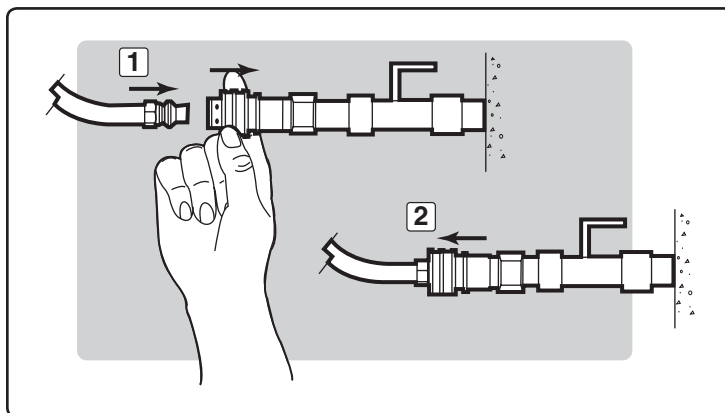
## VERIFICATION DU RACCORD ENTRE LE TUYAU SOUPLE ET LE COLLECTEUR

Le tuyau de gaz naturel a été fixé au cours de la procédure de fabrication. Nous vous recommandons néanmoins de tester le raccord entre le tuyau de gaz et le collecteur afin de détecter toute fuite, en suivant les recommandations du présent Mode d'emploi, avant toute utilisation du barbecue. ♦

## DETECTION DES FUITES DE GAZ

### ⚠ DANGER

**N'utilisez pas de flamme nue pour effectuer la détection des fuites. Assurez-vous de l'absence de toute étincelle ou flamme nue dans la zone pendant que vous détectez les fuites. La présence d'étincelles ou de flammes nues provoquerait un incendie ou une explosion susceptible d'entraîner des blessures ou un décès ainsi que des dégâts matériels.**



*Remarque : La totalité des raccords effectués en usine fait l'objet d'une détection minutieuse des fuites. Les brûleurs ont été testés à la flamme. Par mesure de sécurité toutefois, vous devriez vérifier à nouveau la totalité des raccords afin de détecter toute fuite avant d'utiliser votre grill à gaz Weber®. L'expédition et la manipulation peuvent desserrer ou détériorer un raccord de gaz.*

**⚠ MISE EN GARDE : Les raccords de gaz de votre grill à gaz ont été testés à l'usine. Nous vous recommandons néanmoins de détecter les fuites pour tous les raccords de gaz avant d'utiliser votre grill à gaz.**

**⚠ MISE EN GARDE : Effectuez ces contrôles de détection des fuites même si votre barbecue a été assemblé par un revendeur ou en boutique.**

Si votre grill est pourvu d'un brûleur latéral, assurez-vous que ce brûleur latéral est éteint.

Pour détecter les fuites : Faites glisser le collier de la connexion rapide vers l'arrière (1). Enfoncez le raccord mâle à l'intérieur de la déconnexion rapide, et maintenez la pression. Faites glisser le collier fermé (2). S'il ne s'engage pas ou ne se verrouille pas, répétez la procédure. Le gaz ne circulera pas tant que la déconnexion rapide sera correctement enclenchée. Ouvrez l'arrivée de gaz.

**⚠ MISE EN GARDE : N'allumez pas les brûleurs lorsque vous détectez les fuites.**

Il vous faudra : Une solution d'eau savonneuse et un chiffon ou une brosse pour l'appliquer.

- A) Mélangez l'eau et le savon.
- B) Ouvrez l'arrivée de gaz.
- C) Détectez les fuites en humidifiant le raccord à l'aide de la solution d'eau savonneuse et en regardant si des bulles se forment. Si des bulles se forment, ou si une bulle grossit, il y a une fuite.

**S'il y a une fuite, fermez le gaz et serrez le raccord. Ouvrez à nouveau le gaz et vérifiez à nouveau à l'aide de la solution d'eau savonneuse.**

**Si la fuite continue, n'utilisez pas le barbecue. Contactez le représentant du Service client le plus proche à l'aide des coordonnées à votre disposition sur notre site Internet. Connectez-vous sur [www.weber.com](http://www.weber.com)®.**

- D) Une fois la détection des fuites terminée, fermez l'arrivée de gaz à la source et rincez les raccords à l'eau.

*Remarque : Dans la mesure où certaines solutions de détection des fuites, notamment l'eau savonneuse, peuvent s'avérer légèrement corrosives, la totalité des raccords devrait être rincée à l'eau après la détection des fuites.*

**⚠ MISE EN GARDE : Vous devriez détecter les fuites à chaque fois que vous déconnectez et reconnectez un raccord de gaz.**

# INSTRUCTIONS CONCERNANT LE GAZ

## Vérifiez :

- A) Le raccord entre la conduite de gaz principale et le collecteur (1).
- B) Le raccord de la conduite de gaz de la rôtissoire (Brûleur I.R.) (2).
- C) Le raccord entre l'embouchure et le tuyau d'arrivée de gaz (3).
- D) Le raccord entre l'embouchure et le régulateur (4).
- E) Le raccord entre le régulateur et le tuyau (5).

⚠ **MISE EN GARDE: En cas de fuite au niveau du raccord (1, 2, 3, 4, ou 5), resserrez le raccord à l'aide d'une clé puis effectuez à nouveau un contrôle de détection des fuites à l'aide d'une solution d'eau savonneuse.**

Si une fuite persiste une fois que vous avez resserré le raccord, fermez le gaz. **N'UTILISEZ PAS LE GRILL.** Veuillez entrer en contact avec le Représentant du Service clientèle de votre région grâce aux coordonnées de notre site Internet. Connectez-vous sur [www.weber.com](http://www.weber.com)®.

- F) Le raccord entre l'embouchure et le tuyau du brûleur latéral (6).
- G) Le raccord entre le tuyau du brûleur latéral et la déconnexion rapide, les raccords entre la valve et l'orifice du brûleur latéral (7).
- H) Le raccord entre le tuyau et la déconnexion rapide (8).
- I) Les raccords entre les valves et le collecteur (9).

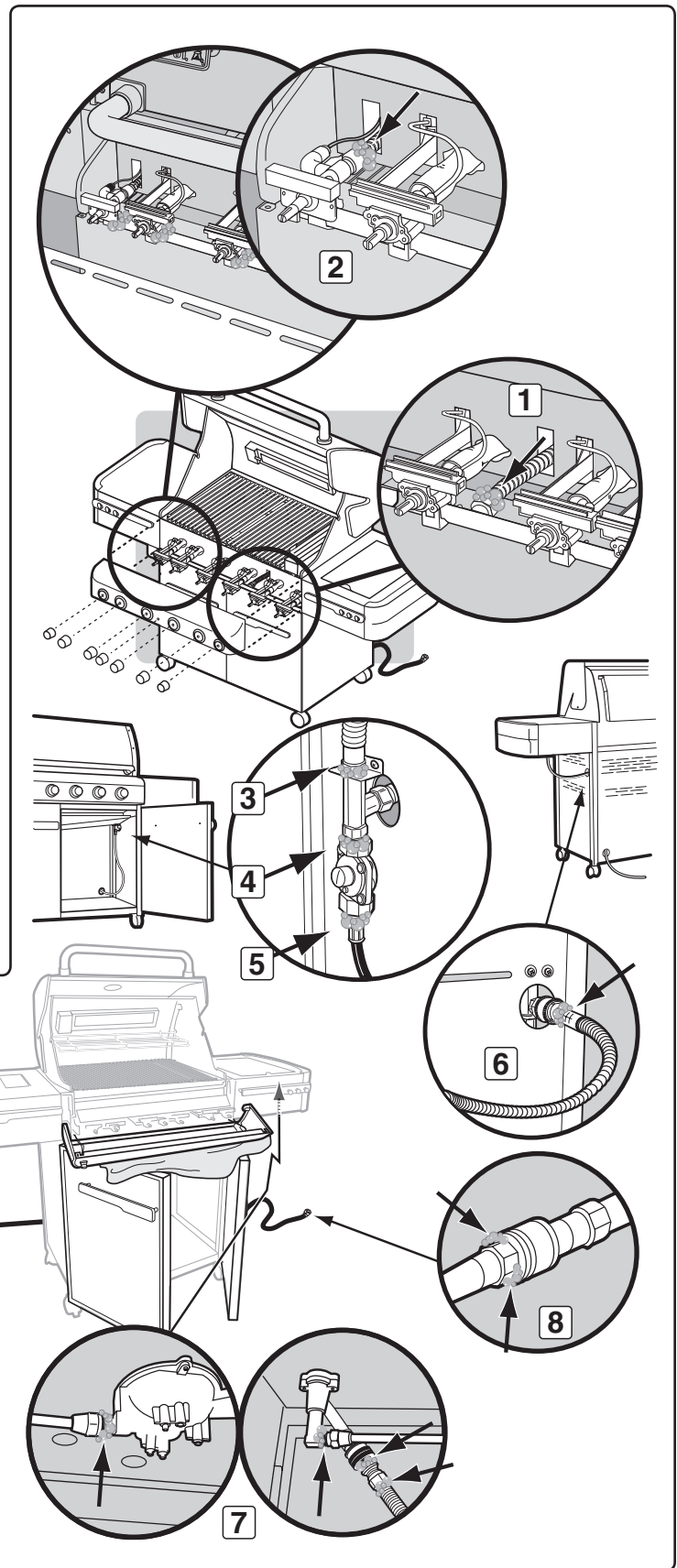
⚠ **MISE EN GARDE: En cas de fuite au niveau des raccords (6, 7, 8, ou 9), fermez le gaz. N'UTILISEZ PAS LE GRILL.** Veuillez entrer en contact avec le Représentant du Service clientèle de votre région grâce aux coordonnées de notre site Internet. Connectez-vous sur [www.weber.com](http://www.weber.com)®.

Lorsque vous avez terminé la détection des fuites, fermez l'arrivée de gaz à la source puis rincez les raccords à l'eau.

## Remise en place du panneau de commande

Pièces nécessaires : panneau de commande, vis et boutons de commande du brûleur.

- A) Accrochez l'extrémité supérieure du panneau de commande sur les supports du panneau de commande de chaque côté de l'avant du boîtier de cuisson.
- B) Alignez les vis en face des trous du support du panneau de commande et du cadre. Serrez les vis.
- C) Placez les boutons de commande correspondants sur les tiges des valves. ♦

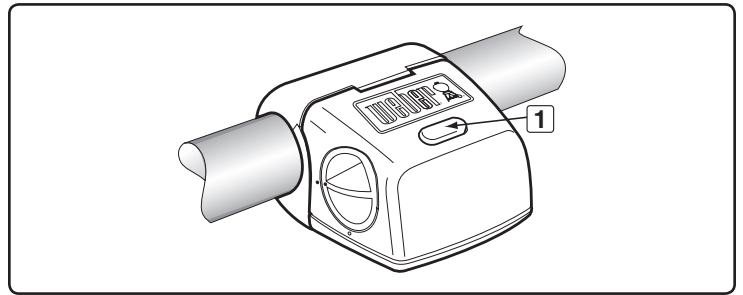


Il est possible que le grill de l'illustration présente de légères différences par rapport au modèle acheté.

## FONCTIONNALITES D'ECLAIRAGE

### LAMPE DE POIGNEE WEBER® GRILL OUT™

L'éclairage de poignée Weber Grill Out™ est équipé d'un "Déecteur d'inclinaison." Si le bouton de mise en marche (1) est activé, la lumière s'allume lorsque le couvercle du grill est ouvert. La lumière s'éteint lorsque le couvercle est fermé. Pour une utilisation pendant la journée, désactivez le détecteur en appuyant sur le bouton de mise en marche (1). ♦

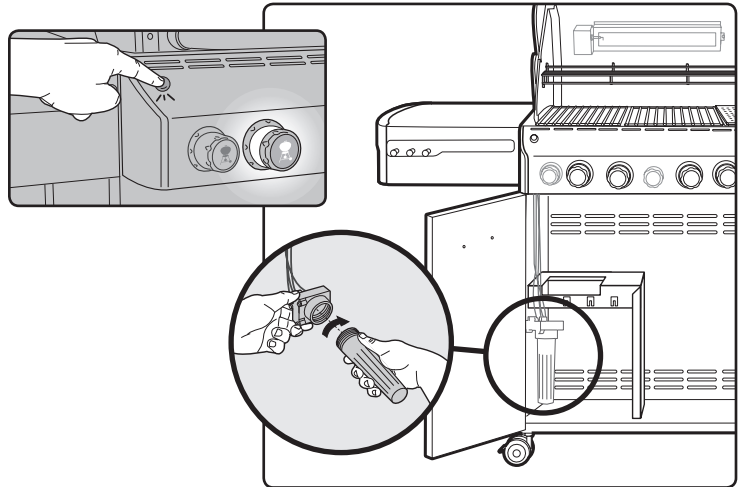


### BOUTONS DE COMMANDES ECLAIRES

Votre grill à gaz est pourvu de boutons de commande qui s'allument ; ce qui vous permet de régler finement les paramètres de température, même en situation de faible éclairage.

Nécessite 3 piles alcalines "D". Ne mélangez pas des piles usagées avec des piles neuves ou différents types de piles entre elles (ordinaires, alcalines ou rechargeables). Le logement des piles se situe à l'intérieur du meuble du côté gauche.

Pour mettre en marche l'éclairage, appuyez sur le bouton de mise en marche. ♦



## AVANT D'UTILISER VOTRE GRILL

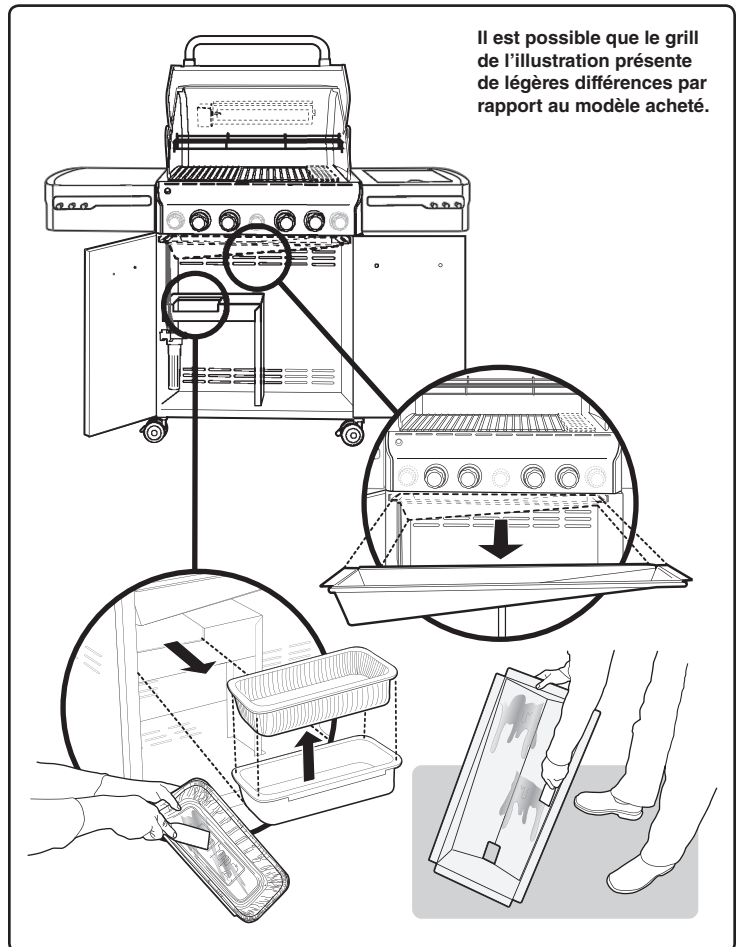
### PLATEAU-EGOUTTOIR AMOVIBLE ET EGOUTTOIR JETABLE

Votre grill a été fabriqué avec un dispositif de collecte des graisses intégré. Vérifiez le plateau-égouttoir amovible et l'égouttoir jetable afin de détecter la présence d'accumulations de graisses à chaque fois que vous utilisez votre grill.

Retirez l'excès de graisse à l'aide d'une spatule en plastique ; voir l'illustration. Lorsque cela s'avère nécessaire, lavez le plateau-égouttoir et l'égouttoir jetable à l'aide d'une solution d'eau savonneuse, puis rincez-les à l'eau claire. Remplacez l'égouttoir jetable lorsque son remplacement est nécessaire.

⚠ **MISE EN GARDE : Vérifiez si le plateau-égouttoir et l'égouttoir amovible contiennent des accumulations de graisses avant chaque utilisation. Retirez les excès de graisse afin d'éviter un embrasement de ces graisses. Un embrasement des graisses risquerait de provoquer une blessure grave ou des dégâts matériels.**

⚠ **ATTENTION : Ne couvrez-pas le plateau-égouttoir amovible d'une feuille de papier aluminium.** ♦

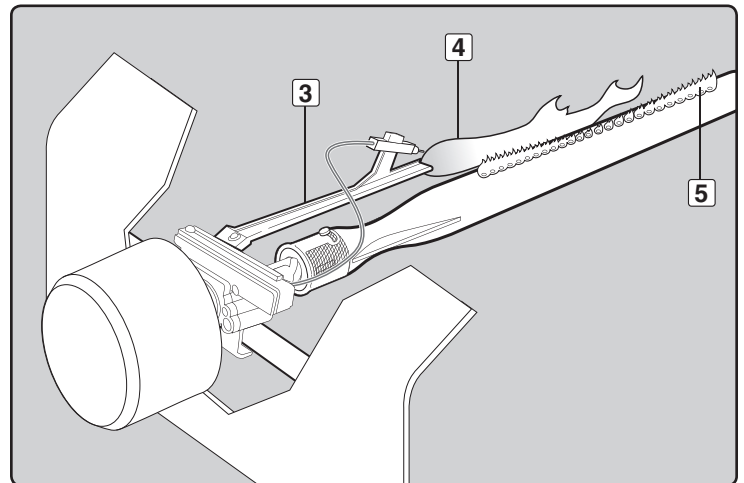
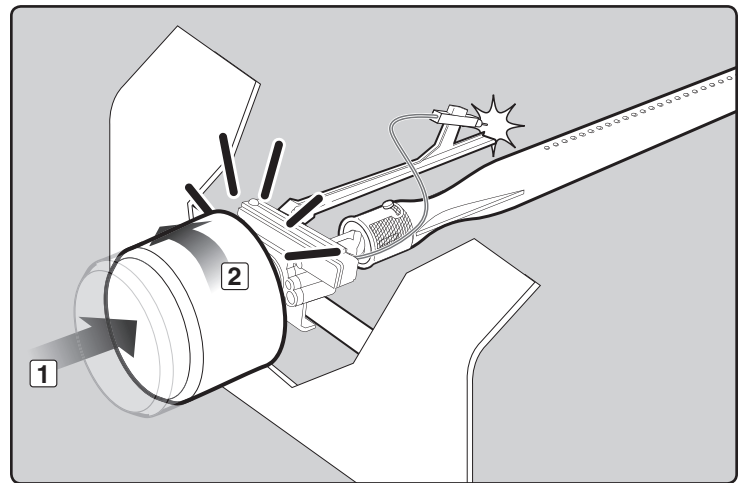


## UTILISATION DE L'ALLUMAGE A DECLIC

### ⚠ Ouvrez toujours le couvercle avant d'allumer les brûleurs.

- A) Chaque bouton de commande est pourvu d'une électrode d'allumage intégrée. Pour créer une étincelle, vous devez enfoncer le bouton de commande (1) et le tourner vers MARCHE/ELEVE (2).
- B) Cette action génère une circulation de gaz et une étincelle en direction du tube d'allumage du brûleur (3). Vous entendez un déclic en provenance de l'allumeur. Vous voyez également une flamme orange de 3 à 5 sortir du tube d'allumage du brûleur du côté gauche du brûleur (4).
- C) **Maintenez le tube du brûleur enfoncé pendant deux secondes après le déclic.** Cela permet au gaz de circuler tout le long du tube du brûleur (5) et garantit l'allumage.
- D) Vérifiez que le brûleur est allumé en regardant à travers les grilles de cuisson. Vous devriez voir une flamme. Si le brûleur ne s'allume pas au premier essai, enfoncez le bouton de commande et positionnez-le sur ARRÊTÉ. Répétez la procédure d'allumage une seconde fois.

⚠ **MISE EN GARDE : Si le brûleur ne s'allume toujours pas, positionnez le bouton de commande du brûleur sur ARRÊTÉ puis patientez 5 minutes pour laisser le gaz se dissiper avant d'essayer à nouveau ou d'essayer d'allumer le brûleur avec une allumette.** ♦



# ALLUMAGE & UTILISATION DU BRULEUR PRINCIPAL

## ALLUMAGE DU BRÛLEUR PRINCIPAL

Vous trouverez des instructions d'allumage résumées à l'intérieur de la porte gauche du placard.

### ⚠ DANGER

**Le fait de ne pas ouvrir le couvercle pendant que vous allumez les brûleurs du barbecue, ou de ne pas patienter 5 minutes pour laisser le gaz se dissiper si le barbecue ne s'allumait pas, pourrait entraîner un embrasement explosif susceptible de provoquer une blessure grave ou la mort.**

### Bouton d'allumage du brûleur principal

*Remarque : Chacun des allumeurs des boutons de commande crée une étincelle à partir de l'électrode de l'allumeur en direction du tube d'allumage du brûleur. Vous générez l'énergie nécessaire à la création de l'étincelle en enfonçant le bouton de commande et en le positionnant sur MARCHE/ELEVE. Ceci allume chaque brûleur individuellement.*

**⚠ MISE EN GARDE : Vérifiez le tuyau avant chaque utilisation du barbecue afin de détecter toute entaille, fissure, abrasion ou coupure. S'il s'avère que le tuyau est détérioré de quelque manière, n'utilisez pas le barbecue. Remplacez le tuyau par un tuyau de rechange agréé par Weber® uniquement. Veuillez entrer en contact avec le Représentant du Service clientèle le plus proche grâce aux coordonnées à votre disposition sur notre site Internet. Connectez-vous sur [www.weber.com](http://www.weber.com).**

A) Ouvrez le couvercle (1).  
B) Assurez-vous que tous les boutons de commande des brûleurs sont positionnés sur ARRÊTÉ (2). (Enfoncez le bouton de commande et tournez-le dans le sens des aiguilles d'une montre pour vérifier qu'il est positionné sur ARRÊTÉ.)

C) Ouvrez l'arrivée de gaz à la source (3).

**⚠ MISE EN GARDE : Ne vous penchez pas au-dessus du barbecue ouvert.**

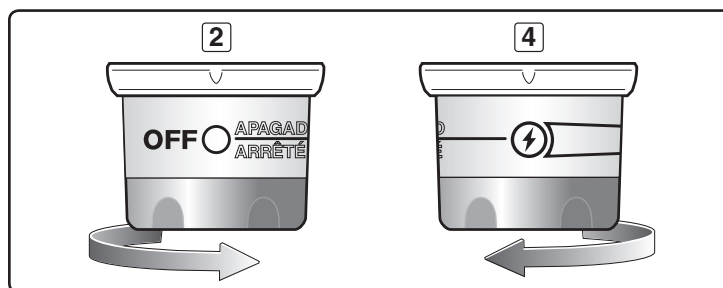
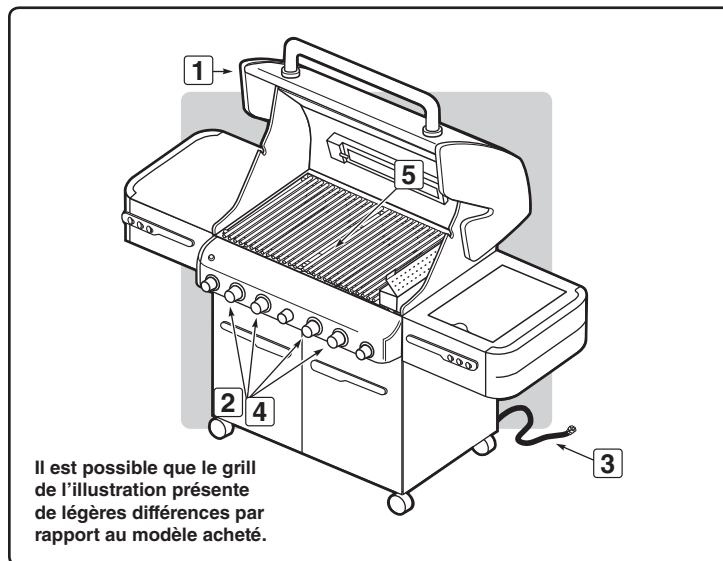
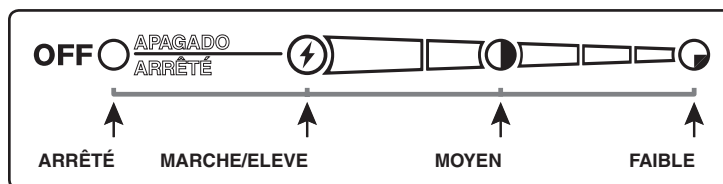
D) Enfoncez le bouton de commande et maintenez-le sur MARCHE/ELEVE jusqu'à ce que vous entendiez le déclic de l'allumeur - continuez à maintenir le bouton de commande dans cette position pendant deux secondes. Cette action produira une étincelle au niveau de l'allumeur, du tube d'allumage du brûleur puis du brûleur principal (4).

E) Vérifiez que le brûleur est allumé en regardant à travers les grilles de cuisson. Vous devriez voir une flamme. Si le brûleur ne s'allume pas à la première tentative, enfoncez le bouton de commande et positionnez-le sur ARRÊTÉ. Répétez la procédure d'allumage une seconde fois (5).

**⚠ MISE EN GARDE : Si le brûleur ne s'allume toujours pas, positionnez le bouton de commande du Brûleur 1 sur ARRÊTÉ et patientez 5 minutes pour laisser le gaz se dissiper avant d'essayer d'allumer le brûleur avec une allumette. ♦**

### POUR ETEINDRE

Enfoncez et tournez chaque bouton de commande du brûleur dans le sens des aiguilles d'une montre vers la position ARRÊTÉ. Fermez l'arrivée de gaz à la source. ♦





# ALLUMAGE & UTILISATION DU BRULEUR PRINCIPAL

## ALLUMAGE MANUEL DU BRULEUR PRINCIPAL

### ⚠ DANGER

Le fait de ne pas ouvrir le couvercle lorsque vous allumez les brûleurs du barbecue, ou de ne pas patienter 5 minutes pour laisser le gaz se dissiper si le barbecue ne s'allumait pas, pourrait provoquer un embrasement explosif susceptible de provoquer une blessure grave ou la mort.

- A) Ouvrez le couvercle (1).
- B) Assurez-vous que tous les boutons de commande du brûleur sont positionnés sur ARRÊTÉ (2). (Enfoncez chaque bouton puis tournez-le dans le sens des aiguilles d'une montre pour vous assurer qu'ils sont positionnés sur ARRÊTÉ.)
- C) Ouvrez l'arrivée de gaz à la source (3).
- D) Placez une allumette dans le porte-allumettes puis frottez-la.

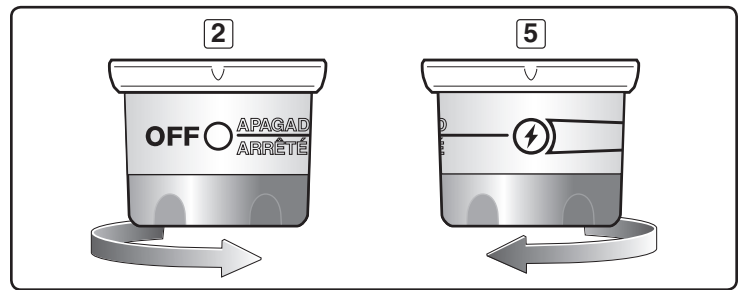
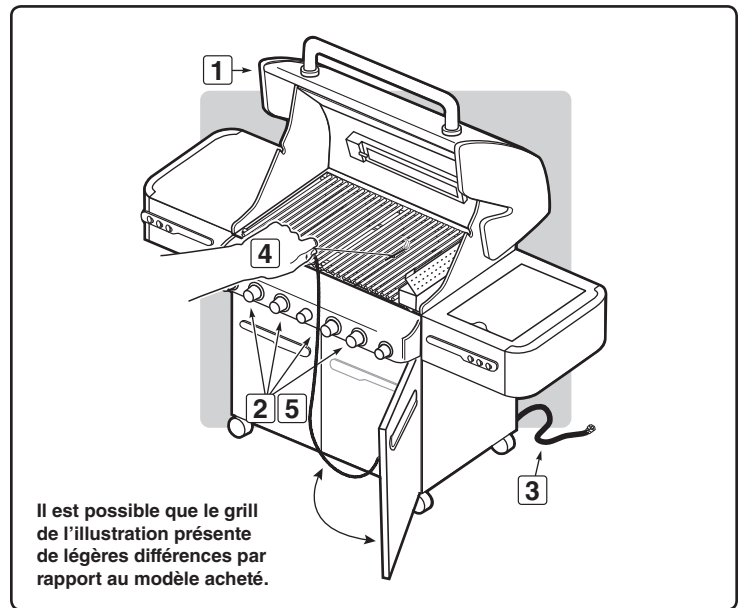
⚠ **MISE EN GARDE : Ne vous penchez pas au-dessus du barbecue ouvert.**

- E) Insérez le porte-allumettes et allumez le brûleur sélectionné avec l'allumette à travers les grilles de cuisson et les barres Flavorizer® (4).
- F) Enfoncez le bouton de commande puis tournez-le pour le positionner sur MARCHE/ELEVE (5).

⚠ **MISE EN GARDE : Si le brûleur ne s'allume pas, positionnez le bouton de commande sur ARRÊTÉ et patientez 5 minutes pour laisser le gaz se dissiper avant d'essayer à nouveau.** ♦

### POUR ETEINDRE

Enfoncez et tournez le bouton de commande de chaque brûleur dans le sens des aiguilles d'une montre pour le positionner sur ARRÊTÉ. Fermez l'arrivée de gaz à la source. ♦



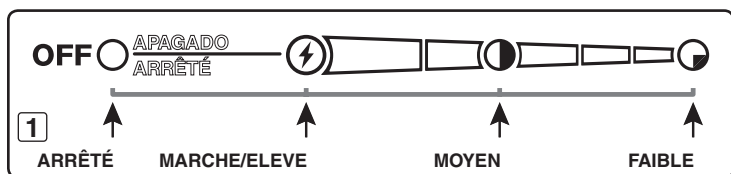


# ASTUCES & CONSEILS UTILES POUR LES GRILLADES

Remarque : Si le grill perd de la chaleur pendant la cuisson, veuillez consulter la section intitulée *Résolution des problèmes* de ce manuel.

**⚠ MISE EN GARDE : Ne déplacez pas le barbecue à gaz Weber® en cours d'utilisation ou lorsque celui-ci est très chaud.**

Vous pouvez ajuster les brûleurs individuels selon ce que vous souhaitez. Les réglages des commandes (1) sont MARCHE/ELEVE, MOYEN, FAIBLE, ou ARRÊTÉ.



Remarque : Il est possible que la température à l'intérieur de votre boîtier de cuisson pendant les premières utilisations, au moment où les surfaces sont encore très réfléchissantes, soit plus élevée que les températures indiquées dans votre livret de cuisine. Les conditions de cuisson, comme le vent et les conditions climatiques, peuvent nécessiter l'ajustement des commandes du brûleur afin d'obtenir les températures de cuisson correctes.

Si les brûleurs s'éteignent pendant la cuisson, éteignez tous les brûleurs puis patientez 5 minutes avant de les allumer à nouveau.

**⚠ MISE EN GARDE : Vérifiez le plateau inférieur et l'égouttoir afin de détecter toute accumulation de graisses avant chaque utilisation. Éliminez tout excès de graisse afin d'éviter un embrasement des graisses dans le plateau inférieur.**

## Préchauffage

Votre barbecue à gaz Weber® est un appareil qui utilise l'énergie de manière efficace. En fonctionnement, son évaluation BTU est faible et économique. Il est important de préchauffer votre grill avant de l'utiliser. Allumez votre grill en respectant les instructions du présent Mode d'emploi. Pour le préchauffage : après l'allumage, positionnez tous les brûleurs sur MARCHE/ELEVE, fermez le couvercle, et laissez chauffer jusqu'à ce que la température atteigne un niveau situé entre 500° et 550° F (260° et 290° C), la température de cuisson recommandée. Ceci prendra 10 à 15 minutes en fonction de conditions comme la température de l'air et le vent.

## Cuisson couverte

La totalité de la grillade s'effectue avec le couvercle fermé afin d'apporter une chaleur uniforme qui circule de façon homogène. Avec le couvercle fermé, le grill à gaz cuit d'une manière très semblable à un four à convection. Le thermomètre dans le couvercle indique la température de cuisson à l'intérieur du grill. La totalité du préchauffage et de la grillade s'effectue avec le couvercle fermé. N'ouvrez pas pour regarder — vous perdez de la chaleur à chaque fois que vous soulevez le couvercle.

## Écoulements de jus et de graisses

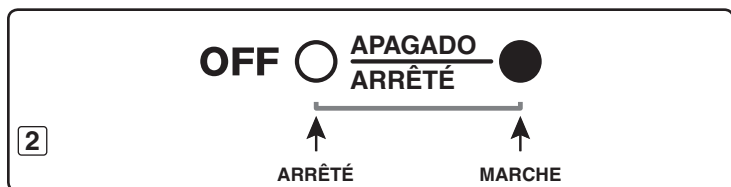
Les barres Flavorizer® sont conçues pour "fumer" la quantité correcte de jus pour une cuisson savoureuse. Les écoulements de jus et les graisses en excès vont s'accumuler dans l'égouttoir au-dessous du plateau-égouttoir amovible. Des égouttoirs jetables en aluminium sont disponibles ; ils s'adaptent parfaitement à l'égouttoir.

## Système Flavorizer®

Lorsque les jus de viandes s'écoulent des aliments vers les barres Flavorizer® disposées selon un angle particulier, elles créent de la fumée qui donne aux aliments une saveur de barbecue irrésistible. Grâce à la conception unique des brûleurs, des barres Flavorizer® et aux commandes de température souples, les embrasements incontrôlés sont presque éliminés, parce que VOUS contrôlez les flammes. Parce que la conception particulière des barres Flavorizer® et des brûleurs dirige l'excès de graisses directement vers le plateau inférieur en forme de tunnel et vers l'égouttoir qui recueille les graisses.

## Sear Station®

Votre barbecue à gaz Weber® inclut un brûleur particulier pour griller les viandes et les poissons. Le brûleur Sear Station® est pourvu d'un réglage des commandes marche ou arrêt (2) qui fonctionne avec les deux brûleurs principaux adjacents. Avec ce brûleur et les brûleurs adjacents vous pouvez effectivement griller des viandes tout en utilisant d'autres zones de cuisson pour cuire à une température modérée (Voir la section "ALLUMAGE & UTILISATION DE VOTRE SEAR STATION®").



- Préchauffez toujours le grill avant la cuisson. Réglez tous les brûleurs sur ELEVE puis fermez le couvercle; laissez chauffer pendant 10 minutes, ou jusqu'à ce que le thermomètre atteigne 500°-550°F (260°-288°C).
- Grillez les viandes et cuisinez avec le couvercle fermé pour des aliments grillés à la perfection à chaque fois.
- Les durées de grillade des recettes sont fournies pour une température extérieure de 70°F (20°C) avec peu ou pas de vent. Laissez les aliments cuire plus longtemps s'il fait froid ou s'il y a du vent, ou en altitude. Diminuez la durée de cuisson si le temps est extrêmement chaud.
- Les durées de grillade sont susceptibles de varier en fonction des conditions météorologiques, ou de la quantité, de la taille et de la forme des aliments à griller.
- Il est possible que la température de votre grill à gaz atteigne un niveau plus élevé que la normale lors des premières utilisations.
- Les conditions de grillade peuvent nécessiter une adaptation des commandes du brûleur pour atteindre les températures de cuisson correctes.
- En général, les gros morceaux de viande nécessitent une durée de cuisson plus longue par livre que les petits morceaux de viande. Des aliments placés sur une grille de cuisson surchargée devront cuire plus longtemps qu'une petite quantité d'aliments. Les aliments grillés dans des récipients comme les haricots, nécessiteront une durée de cuisson plus longue s'ils sont grillés dans une casserole profonde que s'ils sont cuits dans un plat peu profond.
- Retirez le surplus de matière grasse des steaks, des côtes et des rôtis en ne laissant pas plus d'1/4 pouce (6.4mm) de matière grasse. Le fait qu'il y ait moins de matière grasse facilite le nettoyage, et constitue quasiment une garantie contre les embrasements indésirables.
- Les aliments placés directement sur la grille de cuisson au-dessus des brûleurs peuvent avoir besoin d'être retournés ou d'être déplacés vers une zone moins chaude.
- Utilisez des pinces plutôt que des fourchettes pour retourner et manipuler la viande afin d'éviter toute perte de jus de viande. Utilisez deux spatules pour manipuler les gros poissons entiers.
- En cas d'embrasement indésirable, fermez tous les brûleurs et déplacez les aliments vers une autre zone de la grille de cuisson. Toute flamme se résorbera rapidement. Une fois que les flammes se sont éteintes, rallumez le grill. N'UTILISEZ JAMAIS D'EAU POUR ÉTEINDRE LES FLAMMES SUR UN GRILL À GAZ.
- La cuisson de certains aliments, comme les ragoûts ou les filets de poisson fins, nécessite un récipient. Les plats en aluminium jetables sont très pratiques mais vous pouvez utiliser n'importe quel plat métallique avec des gants de cuisiner.
- Assurez-vous toujours que le plateau inférieur et l'égouttoir sont propres et ne contiennent aucun résidu.
- Ne couvrez pas le plateau inférieur crénelé de papier aluminium. Ceci pourrait empêcher la graisse de s'écouler vers l'égouttoir.
- L'utilisation d'un minuteur vous aidera à savoir lorsque la viande "bien cuite" est sur le point de devenir "trop cuite." ♦

# METHODES DE CUISSON

La chose la plus importante à connaître à propos des grillades est le choix de la méthode de cuisson à utiliser pour un aliment particulier, la méthode Directe ou Indirecte. La différence est simple : placez les aliments directement au-dessus du feu, ou organisez le feu de part et d'autre des aliments. L'utilisation de la bonne méthode constitue le moyen le plus court pour obtenir des résultats formidables et la meilleure façon de garantir une bonne cuisson en toute sécurité.

## CUISSON DIRECTE

La Méthode directe, semblable au réchauffage, signifie que les aliments sont cuits directement au-dessus de la source de chaleur. Pour une cuisson homogène, les aliments devraient être retournés une fois au milieu du temps de cuisson. Utilisez la méthode Directe pour les aliments dont la cuisson dure moins de 25 minutes : les steaks, les côtes, les kebabs, les saucisses, les légumes, etc.

La cuisson Directe est également nécessaire pour saisir les viandes. Le fait de saisir les viandes crée cette merveilleuse texture craquante, caramélisée à l'endroit où les aliments sont en contact avec la grille. Cela donne également une couleur et une saveur agréables à toute la surface. Les steaks, les côtes, les filets de poulet, et les gros morceaux de viande bénéficient tous de ce mode de cuisson.

Pour saisir les viandes, placez-les au-dessus de la source de forte chaleur Directe pendant 2 à 5 minutes de chaque côté. Les petits morceaux ont besoin de moins de temps de cuisson. Habituellement, une fois que vous avez saisi les aliments, vous finissez leur cuisson à une température inférieure. Vous pouvez terminer la cuisson des aliments à cuisson rapide en utilisant la méthode Directe; utilisez la méthode Indirecte pour les aliments à cuisson lente.

Pour paramétrer votre grill à gaz pour la cuisson Directe, préchauffez le grill en réglant tous les brûleurs sur ELEVÉ. Placez les aliments sur la grille de cuisson, puis réglez tous les brûleurs à la température indiquée dans la recette. Fermez le couvercle du grill et soulevez-le uniquement pour retourner les aliments ou pour contrôler l'état de la cuisson au terme de la durée de cuisson recommandée. ♦

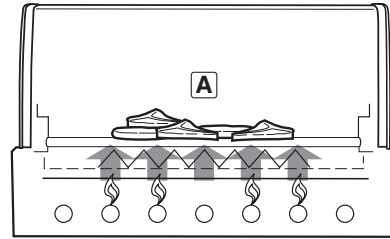
## CUISSON INDIRECTE

La Méthode indirecte est semblable au rôti mais avec en plus les bénéfices de cette texture grillée, de cette saveur et de cet aspect que vous ne pouvez pas obtenir au four. Pour préparer le grill pour la cuisson Indirecte, les brûleurs à gaz sont allumés de chaque côté des aliments mais pas directement au-dessous d'eux. La température augmente, la chaleur est réfléchiée par le couvercle et les surfaces internes du grill, et circule pour cuire lentement les aliments de façon homogène de tous les côtés, d'une manière très semblable à ce qui se passe dans un four à convection, alors vous n'avez pas besoin de retourner les aliments.

Utilisez la méthode Indirecte pour les aliments nécessitant une durée de grillade de 25 minutes ou plus ou qui sont si délicats qu'une exposition directe à la flamme les dessècherait ou les ferait roussir. Les exemples sont notamment les rôtis, les petites côtes, les poulets entiers, les dindes, et les autres gros morceaux de viande, ainsi que les filets de poisson délicats.

Pour régler votre grill à gaz pour la cuisson Indirecte, préchauffez le grill avec tous les brûleurs sur ELEVÉ. Ajustez ensuite les brûleurs de chaque côté des aliments pour atteindre la température indiquée dans la recette puis fermez le(s) brûleur(s) situé(s) directement au-dessous des aliments. Pour un résultat optimal, placez les rôtis, la volaille ou les gros morceaux de viande sur une grille à rôtir à l'intérieur d'un plat en aluminium rigide jetable. Pour des durées de cuisson plus longues, ajoutez de l'eau dans le plat en aluminium pour empêcher le jus de viande de brûler. Vous pouvez utiliser le jus de viande pour faire de la gravy ou des sauces. ♦

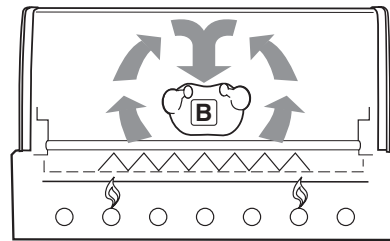
### 4 BRÛLEURS



### CUISSON DIRECTE

**A** La nourriture se place sur les grilles de cuisson juste au-dessus des brûleurs.

### 4 BRÛLEURS



### CUISSON INDIRECTE

**B** La nourriture se place sur les grilles de cuisson entre les brûleurs.

# ALLUMAGE & UTILISATION DU BRULEUR LATERAL

## ALLUMAGE DU BRULEUR LATERAL

### ⚠ DANGER

Le fait de ne pas ouvrir le couvercle lorsque vous allumez le brûleur latéral, ou de ne pas patienter 5 minutes pour laisser le gaz se dissiper si le brûleur latéral ne s'allumait pas, pourrait provoquer un embrasement explosif susceptible d'entraîner une blessure grave ou la mort.

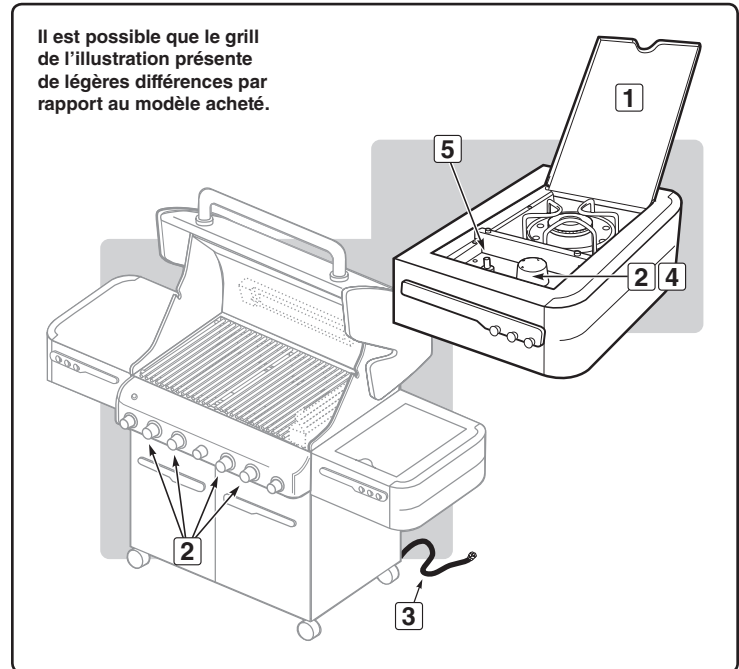
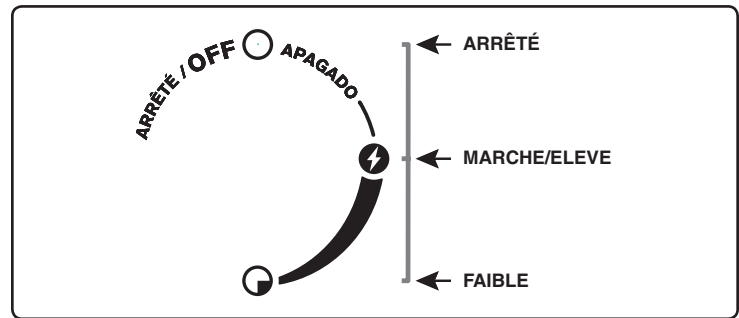
⚠ **MISE EN GARDE:** Vérifiez le tuyau avant chaque utilisation du barbecue afin de détecter toute entaille, fissure, abrasion ou coupure. Si vous trouvez que le tuyau est détérioré de quelque manière que ce soit, n'utilisez pas le barbecue. Remplacez-le en utilisant uniquement un tuyau de rechange agréé par Weber®. Veuillez entrer en contact avec le Représentant du Service clientèle le plus proche au moyen des coordonnées à votre disposition sur notre site Internet. Connectez-vous sur [www.weber.com](http://www.weber.com)®.

- A) Ouvrez le couvercle du brûleur latéral (1).
- B) Vérifiez que le brûleur latéral est positionné sur ARRÊTÉ (2). (Enfoncez le bouton de commande et tournez dans le sens des aiguilles d'une montre pour vous assurer qu'il est positionné sur ARRÊTÉ), positionnez tous les brûleurs inutilisés sur ARRÊTÉ (Enfoncez et tournez dans le sens des aiguilles d'une montre).
- C) Ouvrez la valve d'arrivée de gaz (3).
- D) Enfoncez et tournez la valve de commande du brûleur latéral vers ELEVE (4).
- E) Enfoncez le bouton d'allumage plusieurs fois de sorte qu'il émette un déclic à chaque fois jusqu'à ce que vous voyez une flamme (5).

⚠ **ATTENTION:** Il peut être difficile de voir la flamme du brûleur latéral par une journée claire et ensoleillée.

⚠ **MISE EN GARDE:** si le brûleur latéral ne s'allume pas dans un délai de cinq secondes:

- a) Fermez la valve de commande du brûleur latéral, les brûleurs principaux et l'arrivée de gaz à la source.
- b) Patientez 5 minutes pour laisser le gaz se dissiper avant d'essayer à nouveau, ou essayez de l'allumer avec une allumette (voir "ALLUMAGE MANUEL DU BRULEUR LATERAL"). ♦



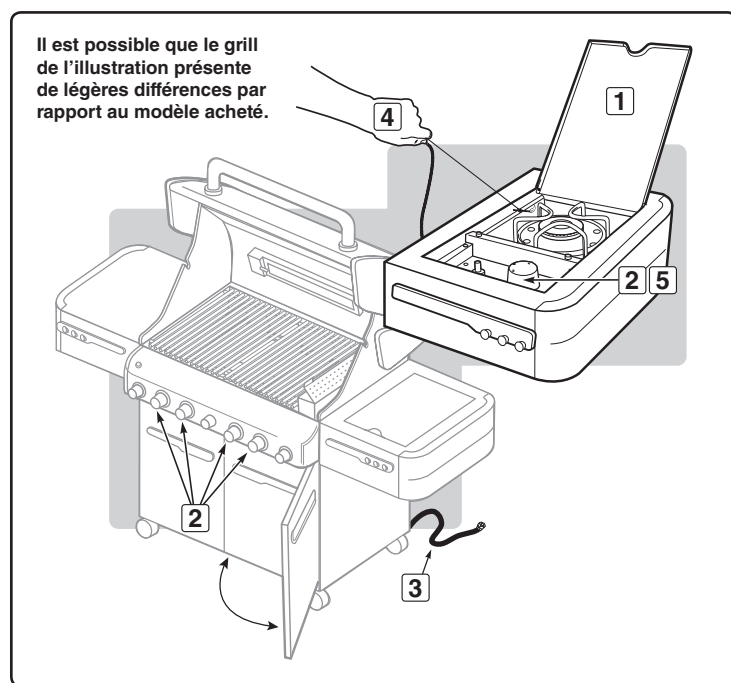
# ALLUMAGE & UTILISATION DU BRULEUR LATÉRAL

## ALLUMAGE MANUEL DU BRULEUR LATÉRAL

### ⚠ DANGER

Le fait de ne pas ouvrir le couvercle lorsque vous allumez le brûleur latéral ou de ne pas patienter 5 minutes pour laisser le gaz se dissiper si le brûleur latéral ne s'allumait pas pourrait provoquer un embrasement explosif susceptible de provoquer une blessure grave ou la mort.

- A) Ouvrez le couvercle du brûleur latéral (1).
  - B) Vérifiez que le brûleur latéral est positionné sur ARRÊTÉ (2). (Enfoncez le bouton de commande et tournez dans le sens des aiguilles d'une montre pour vous assurer qu'il est positionné sur ARRÊTÉ), positionnez tous les brûleurs inutilisés sur ARRÊTÉ (Enfoncez et tournez dans le sens des aiguilles d'une montre).
  - C) Ouvrez la valve d'arrivée de gaz (3).
  - D) Placez une allumette dans un porte-allumette et frottez-la.
  - E) Tenez le porte-allumette et allumez les deux côtés du brûleur avec l'allumette (4).
  - F) Enfoncez et tournez la valve de commande du brûleur latéral pour la positionner sur ELEVE (5).
- ⚠ **ATTENTION:** Il peut être difficile de distinguer la flamme du brûleur latéral par une journée claire et ensoleillée.
- ⚠ **MISE EN GARDE:** si le brûleur latéral ne s'allume pas dans un délai de cinq secondes:
- a) Fermez la valve de commande du brûleur latéral, les brûleurs principaux et l'arrivée de gaz à la source.
  - b) Patientez 5 minutes pour laisser le gaz se dissiper avant d'essayer à nouveau. ♦



# ALLUMAGE & UTILISATION DE VOTRE SEAR STATION®

## ALLUMAGE DU BRULEUR SEAR STATION®

Vous trouverez des instructions d'allumage résumées à l'intérieur de la porte gauche du meuble.

### ⚠ DANGER

**Le fait de ne pas ouvrir le couvercle pendant l'allumage des brûleurs du barbecue, ou de ne pas patienter 5 minutes pour laisser le gaz se dissiper si le barbecue ne s'allumait pas, peut provoquer un embrasement explosif susceptible d'entraîner une blessure grave ou un décès.**

Le brûleur Sear Station® est pourvu d'une commande de mise en marche/arrêt. Pour allumer le brûleur Sear Station® vous devez d'abord allumer les deux brûleurs principaux adjacents.

### Allumage automatique des brûleurs principaux adjacents

*Remarque : Chacun des allumeurs automatiques des boutons de commande des brûleurs produit une étincelle à partir de l'électrode de l'allumeur vers le tube d'allumage du brûleur. C'est vous qui générez l'énergie nécessaire à la production de l'étincelle en enfonçant le bouton de commande et en le positionnant sur MARCHE/ELEVE. Ceci allume chaque brûleur individuel.*

⚠ **MISE EN GARDE : Inspectez le tuyau avant toute utilisation du barbecue afin de détecter toute trace d'entaille, de fissure, d'abrasions ou de coupures. Si le tuyau se révèle détérioré de quelque manière que ce soit, n'utilisez pas le barbecue. Remplacez le tuyau en utilisant uniquement un tuyau de rechange homologué par Weber®. Contactez le Représentant du Service clientèle le plus proche grâce aux coordonnées à votre disposition sur notre site Internet. Connectez-vous sur [www.weber.com](http://www.weber.com).**

- A) Ouvrez le couvercle (1).
- B) Assurez-vous que tous les boutons de commande du brûleur sont positionnés sur ARRÊTÉ (2). (Enfoncez le bouton de commande et tournez-le dans le sens des aiguilles d'une montre pour vous assurer qu'il est positionné sur ARRÊTÉ.)

- C) Ouvrez l'arrivée de gaz à la source (3).

⚠ **MISE EN GARDE : Ne vous penchez pas au-dessus du barbecue ouvert.**

- D) Allumez chacun des brûleurs principaux adjacents du brûleur Sear Station® (4). Enfoncez le bouton de commande et positionnez-le sur MARCHE/ELEVE jusqu'à ce que vous entendiez le dé clic de l'allumeur - continuez à maintenir la bouton de commande enfoncé pendant deux secondes. Cette action produit une étincelle au niveau de l'allumeur, du tube d'allumage du brûleur puis du brûleur principal.
- E) Vérifiez que le brûleur est allumé en regardant à travers les grilles de cuisson (5). Vous devriez voir une flamme. Si le brûleur ne s'allume pas au premier essai, enfoncez le bouton de commande et positionnez-le sur ARRÊTÉ. Répétez la procédure d'allumage une seconde fois.

### Allumage du brûleur Sear Station® : allumage depuis un brûleur principal allumé adjacent

- F) Positionnez le bouton de commande du brûleur Sear Station® sur ON (6).
- G) Vérifiez l'allumage du brûleur en effectuant une inspection visuelle de la flamme (7).

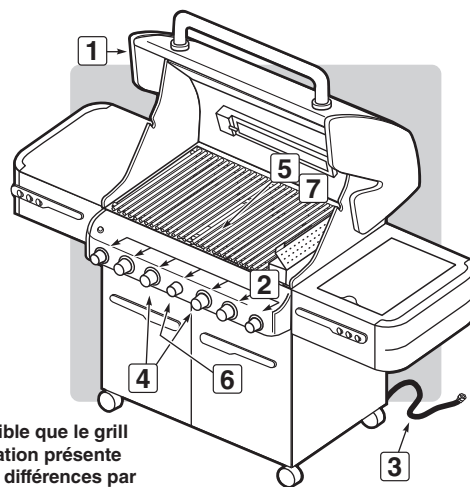
⚠ **MISE EN GARDE : Si l'allumage ne se produit pas sous cinq secondes, positionnez la commande du brûleur sur ARRÊTÉ, patientez cinq minutes, puis répétez les étapes F & G, ou consultez les instructions "ALLUMAGE MANUEL DU BRULEUR SEAR STATION®".**

⚠ **MISE EN GARDE : Si le brûleur ne s'allume toujours pas, positionnez le bouton de commande du brûleur sur ARRÊTÉ puis patientez 5 minutes pour laisser le gaz se dissiper avant d'essayer à nouveau ou d'essayer d'allumer le brûleur à l'aide d'une allumette.**

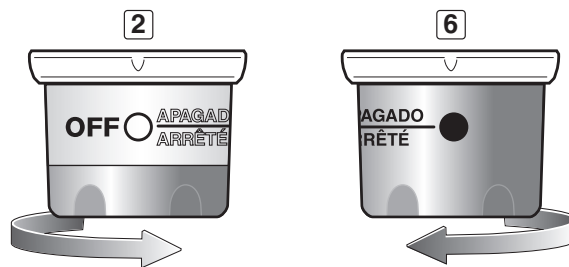
**Remarque : Voir la Section Maintenance pour plus d'informations sur le retrait et la procédure de nettoyage du brûleur. ♦**

### POUR ETEINDRE

Enfoncez chaque bouton de commande et tournez-le dans le sens des aiguilles d'une montre pour le positionner sur ARRÊTÉ. Fermez l'arrivée de gaz à la source ♦.



Il est possible que le grill de l'illustration présente de légères différences par rapport au modèle acheté.





# ALLUMAGE & UTILISATION DE VOTRE SEAR STATION®

## ALLUMAGE MANUEL DU BRULEUR SEAR STATION®

### ⚠ DANGER

**Le fait de ne pas ouvrir le couvercle pendant l'allumage des brûleurs du barbecue, ou de ne pas patienter 5 minutes pour laisser le gaz se dissiper si le barbecue ne s'allumait pas, pourrait provoquer un embrasement explosif susceptible de provoquer une blessure grave ou un décès.**

Le brûleur Sear Station® est pourvu d'une commande de mise en marche/arrêt. Pour allumer le brûleur Sear Station® vous devez d'abord allumer les deux brûleurs principaux adjacents.

### Allumage automatique du brûleur principal adjacent

*Remarque : Chacun des allumeurs automatiques des boutons de commande du brûleur principal crée une étincelle à partir de l'électrode de l'allumeur vers le tube d'allumage du brûleur. C'est vous qui générez l'énergie nécessaire à la production de l'étincelle en enfonçant le bouton de commande et en le positionnant sur MARCHE/ELEVE. Ceci allume chaque brûleur individuel.*

- A) Ouvrez le couvercle (1).
- B) Vérifiez que chacun des brûleurs principaux adjacents du brûleur Sear Station® est allumé en procédant à une inspection visuelle de la flamme (2).
- C) Placez une allumette dans le porte-allumette et frottez-la.
- ⚠ MISE EN GARDE : Ne vous penchez pas au-dessus du barbecue ouvert.**
- D) Insérez le porte-allumette et l'allumette allumée à travers les grilles de cuisson et les barres Flavorizer® pour allumer le brûleur Sear Station® (3).
- E) Enfoncez le bouton de commande du brûleur Sear Station® et positionnez-le sur ON (4).

**⚠ MISE EN GARDE : Si le brûleur ne s'allume pas, positionnez le bouton de commande du brûleur sur ARRÊTÉ et patientez 5 minutes pour laisser le gaz se dissiper avant d'essayer à nouveau.**

**Remarque : Voir la section "MAINTENANCE" pour des informations sur le retrait du brûleur et la procédure de nettoyage. ♦**

### POUR ETEINDRE

Enfoncez et tournez chaque bouton de commande dans le sens des aiguilles d'une montre vers la position ARRÊTÉ. Fermez l'arrivée de gaz à la source. ♦

### UTILISATION DU BRULEUR SEAR STATION®

Votre barbecue à gaz Weber® est livré avec un brûleur à saisir (pour saisir les viandes comme les steaks, les pièces de volaille, le poisson et les côtes).

La saisie est une technique de cuisson au grill directe qui fait brunir la surface des aliments à une température élevée. En saisissant ou en faisant dorer les deux côtés de la viande, vous créez un saveur plus souhaitable en caramélisant la surface des aliments. La saisie optimise également l'aspect de la viande grâce aux marques de saisie laissées par les grilles de cuisson. Ceci combiné au contraste des textures et des saveurs peut rendre les aliments plus intéressants pour le palais.

Le brûleur Sear Station® est pourvu d'une commande de mise en marche/arrêt qui fonctionne avec les deux brûleurs principaux adjacents. Avec le brûleur à saisir et les deux brûleurs adjacents vous pouvez saisir efficacement les viandes tout en utilisant les autres surfaces de cuisson pour cuisiner à température modérée.

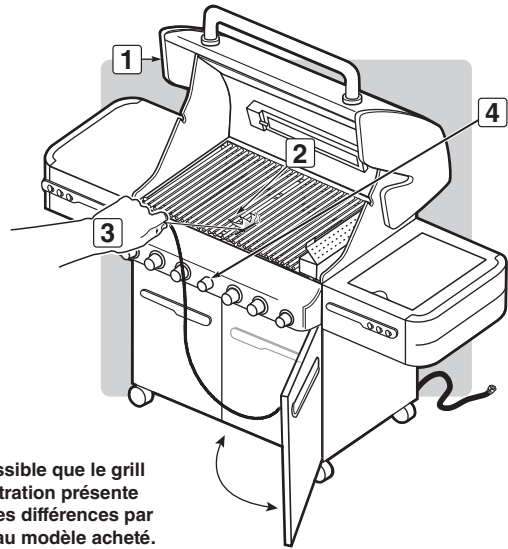
Avant de saisir les aliments, vous devriez positionner tous les brûleurs principaux sur ELEVE pendant 15 minutes pour préchauffer le grill. Remarque : Grillez toujours les aliments avec le couvercle fermé pour obtenir un maximum de chaleur et éviter les embrasements.

Une fois que le grill a été préchauffé, éteignez les brûleurs extérieurs ou réglez-les sur une faible puissance. Laissez les deux brûleurs centraux positionnés sur ELEVE et allumez le brûleur Sear Station.

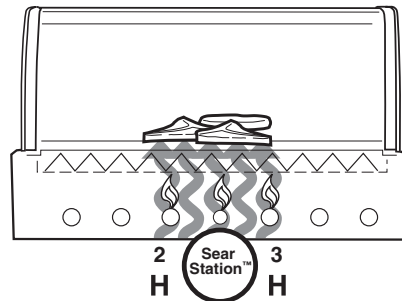
Placez la viande directement sur le brûleur Sear Station®. Vous saisirez chaque côté de 1 à 4 minutes, en fonction du type de viande et de son épaisseur. Vous pouvez retourner les aliments d'un quart de tour pour obtenir des marques de grillade croisées (1) avant de saisir l'autre côté de la même manière.

Une fois que vous avez saisi les aliments, vous pouvez terminer la grillade en déplaçant la viande vers une température plus modérée sur les brûleurs externes pour atteindre le niveau de cuisson souhaité.

Au fur et à mesure que vous gagnez en expérience avec votre brûleur Sear Station®, nous vous encourageons à expérimenter différentes durées de saisie afin de découvrir les résultats les plus adaptés à votre goût. ♦

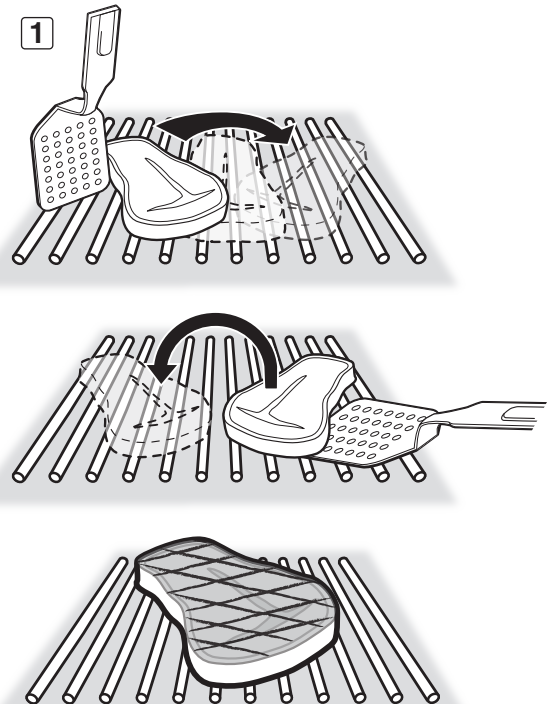


### 4 BRÛLEURS



### MÉTHODE POUR SAISIR LES ALIMENTS

Les aliments sont placés dans la zone de chaleur intense entre les brûleurs allumés



# ALLUMAGE & UTILISATION DU BRULEUR DU FUMOIR

## ALLUMAGE DU BRULEUR DU FUMOIR

### ⚠ DANGER

Le fait de ne pas ouvrir le couvercle pendant que vous allumez le grill, ou de ne pas patienter 5 minutes pour laisser le gaz se dissiper si le grill ne s'allumait pas, pourrait entraîner un embrasement explosif susceptible de provoquer une blessure grave ou un décès.

### Allumage du brûleur du fumoir avec le bouton

Remarque : L'allumeur à bouton de commande crée une étincelle à partir de l'électrode de l'allumeur en direction du tube d'allumage du brûleur. Vous générez l'énergie nécessaire à la création de l'étincelle en enfonçant le bouton de commande et en le tournant vers MARCHE/ELEVE. Ceci allume le brûleur du fumoir.

⚠ **MISE EN GARDE : Vérifiez le tuyau avant chaque utilisation du grill afin de détecter toute entaille, fissure, abrasion ou coupure. Si vous découvrez que le tuyau est détérioré de quelque manière que ce soit, n'utilisez pas le grill. Remplacez le tuyau en utilisant uniquement un tuyau de rechange agréé par Weber®. Veuillez entrer en contact avec le Représentant du Service clientèle le plus proche grâce aux coordonnées à votre disposition sur notre site Internet. Connectez-vous sur [www.weber.com](http://www.weber.com)®.**

- A) Ouvrez le couvercle du grill (1).
- B) Ouvrez le couvercle du boîtier du fumoir (2).
- C) Remplissez le fumoir de petits morceaux de bois ou de copeaux de bois imbibés d'eau (3).
- D) Assurez-vous que la totalité des boutons de commandes des brûleurs inutilisés est positionnée sur ARRÊTÉ (4). (Enfoncez le bouton de commande et tournez dans le sens des aiguilles d'une montre pour vous assurer qu'il est positionné sur ARRÊTÉ.)
- E) Ouvrez le gaz à la source (5).
- ⚠ **MISE EN GARDE : Ne vous penchez pas au-dessus du grill ouvert lorsque vous l'allumez.**
- F) Enfoncez le bouton de commande puis positionnez-le sur MARCHE/ELEVE jusqu'à ce que vous entendiez l'allumeur émettre un dé clic (6), continuez à maintenir le bouton de commande enfoncé pendant deux secondes. Cette action déclenchera une étincelle au niveau de l'allumeur, du tube d'allumage du brûleur, puis du brûleur du fumoir.
- G) Vérifiez si le brûleur est allumé en regardant à travers les grilles de cuisson (7). Vous devriez voir une flamme. Si le brûleur ne s'allume pas au premier essai, enfoncez le bouton de commande et positionnez-le sur ARRÊTÉ. Répétez la procédure d'allumage une seconde fois.

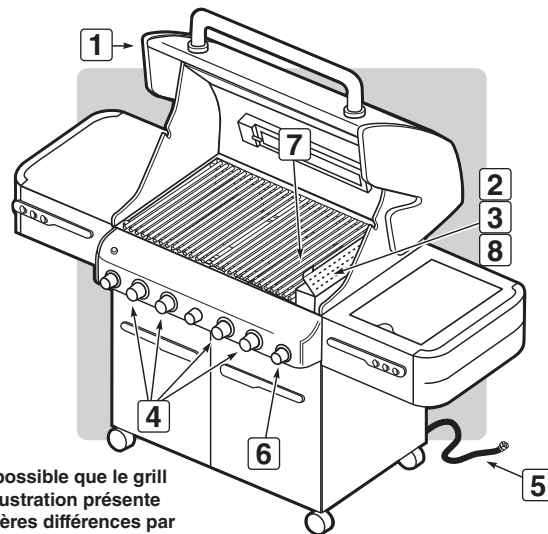
### ⚠ DANGER

Si le brûleur du fumoir ne s'allume pas, tournez le bouton de commande du brûleur vers ARRÊTÉ puis patientez 5 minutes pour laisser le gaz se dissiper avant de tenter de l'allumer (voir "ALLUMAGE MANUEL DU BRULEUR DU FUMOIR").

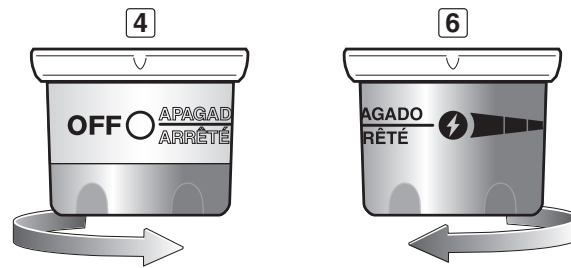
- H) Fermez le couvercle du fumoir une fois que le bois a commencé à brûler puis tournez le bouton de commande vers LOW. ♦

## POUR ETEINDRE

Enfoncez et tournez chaque bouton de commande du brûleur dans le sens des aiguilles d'une montre vers la position ARRÊTÉ. Fermez l'arrivée de gaz à la source. ♦



Il est possible que le grill de l'illustration présente de légères différences par rapport au modèle acheté.





# ALLUMAGE & UTILISATION DU BRULEUR DU FUMOIR

## ALLUMAGE MANUEL DU BRULEUR DU FUMOIR

A) Ouvrez le couvercle (1).

### ⚠ DANGER

**Le fait de ne pas ouvrir le couvercle pendant l'allumage du grill, ou de ne pas patienter 5 minutes pour laisser le gaz se dissiper si le grill ne s'allumait pas, peut entraîner un embrasement explosif susceptible de provoquer une blessure grave ou la mort.**

- B) Ouvrez le couvercle du boîtier du fumoir (2).  
C) Remplissez le fumoir de petits morceaux de bois ou de copeaux imbibés d'eau (3).  
D) Assurez-vous que la totalité des boutons de commandes des brûleurs inutilisés est positionnée sur ARRÊTÉ (4). (Enfoncez le bouton de commande et tournez dans le sens des aiguilles d'une montre pour vous assurer qu'il est positionné sur ARRÊTÉ.)  
E) Ouvrez le gaz à la source (5).  
F) Placez une allumette dans le porte-allumette puis frottez-la.  
G) Insérez le porte-allumette et allumez le brûleur du fumoir avec l'allumette à travers les grilles de cuisson et les barres Flavorizer® (6).  
H) Enfoncez le bouton de commande du brûleur du fumoir puis positionnez-le sur MARCHE/ELEVE (7).  
I) Vérifiez que le brûleur est allumé en regardant à travers la grille de cuisson (8).

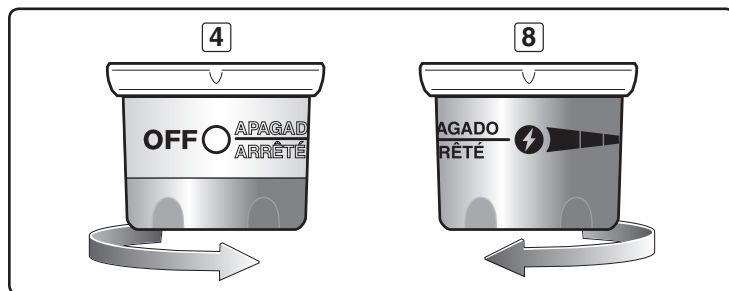
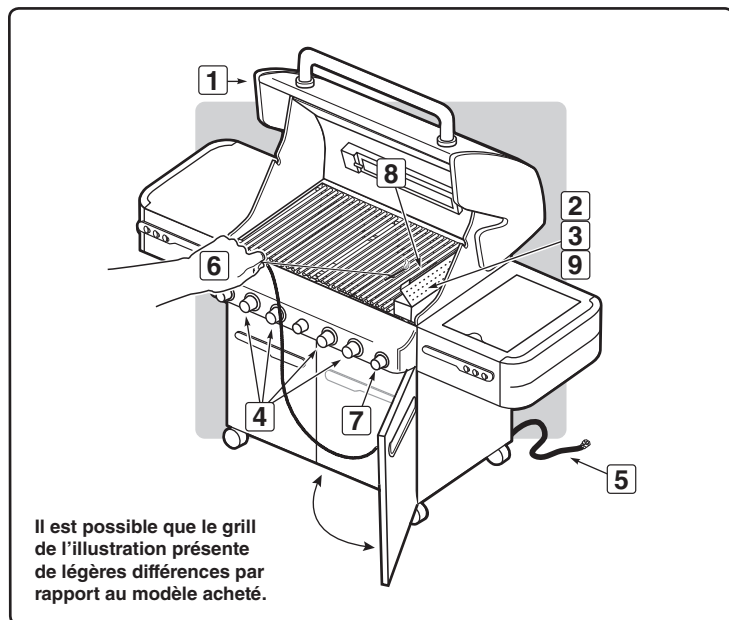
### ⚠ DANGER

**Si le brûleur du fumoir ne s'allume pas, positionnez le bouton de commande du brûleur sur ARRÊTÉ et patientez 5 minutes pour laisser le gaz se dissiper avant d'essayer à nouveau.**

- J) Fermez le couvercle du fumoir une fois que le bois a commencé à brûler et positionnez le bouton de commande sur LOW (9). ♦

## POUR ETEINDRE

Enfoncez et tournez chaque bouton de commande du brûleur dans le sens des aiguilles d'une montre vers la position ARRÊTÉ. Fermez l'arrivée de gaz à la source. ♦



## UTILISATION DU FUMOIR

Le fumoir fonctionne avec de petits morceaux de bois imbibés d'eau au préalable. Pour un résultat optimal avec les aliments à cuisson rapide comme les steaks, les burgers et les côtes, etc., nous recommandons l'utilisation de copeaux de bois plus fins parce que ceux-ci brûlent et produisent de la fumée plus rapidement. Pour les aliments à cuisson lente comme les rôtis, le poulet et les dindes, etc., nous recommandons l'utilisation de morceaux de bois plus grands parce que ceux-ci brûlent lentement et fournissent de la fumée pendant plus longtemps. Au fur et à mesure que vous gagnez de l'expérience dans l'utilisation de votre fumoir, nous vous encourageons à expérimenter différents mélanges de pépites et de copeaux de bois pour trouver la saveur fumée la plus adaptée à vos goûts.

Pour commencer, plongez les copeaux de bois dans l'eau pendant au moins 30 minutes avant de les utiliser. (Du bois humide produit davantage de saveur fumée.) Placez une poignée de copeaux de bois ou quelques morceaux de bois plus gros au bas de la structure du fumoir (1). Au fur et à mesure que vous acquérez l'expérience du fumage, augmentez ou diminuez la quantité de bois pour l'adapter à vos goûts.

*Remarque : Effectuez toujours vos grillades avec le couvercle fermé afin de permettre à la fumée de pénétrer totalement les aliments. Allumez le brûleur du fumoir en suivant les instructions pour l'Allumage du brûleur du fumoir. Une fois que le bois a commencé à se consumer, positionnez le bouton de commande sur FAIBLE.*

Le bois commence à fumer après environ 10 minutes et fume jusqu'à 45 minutes. Si vous avez besoin de plus de saveur fumée, rechargez le fumoir en pépites et/ou copeaux de bois. Maintenez le couvercle du grill fermé pendant la cuisson.

*Remarque : Une fois que vous avez rechargé le fumoir, il faut environ 10 à 15 minutes pour que celui-ci produise à nouveau de la fumée. Vous pouvez utiliser le fumoir pour relever vos recettes de viande, de volaille et de poisson. Cuisinez avec le couvercle fermé en respectant les durées indiquées dans les tableaux ou les recettes.*

### **⚠ DANGER**

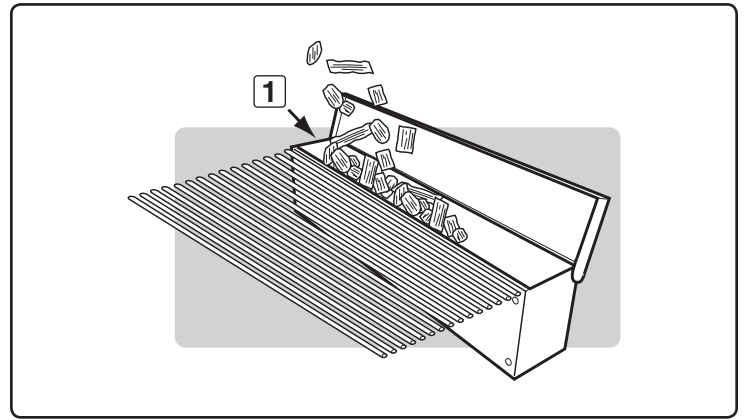
**N'utilisez pas de fluide inflammable pour allumer le bois dans le fumoir. Ceci provoquerait une blessure grave. ♦**

## NETTOYAGE DU FUMOIR

Avant chaque utilisation, videz les cendres du fumoir pour permettre une circulation d'air correcte.

*Remarque : La fumée laisse un dépôt de "fumée" à la surface du fumoir. Ce dépôt ne peut pas être retiré et n'a aucune influence sur le fonctionnement du fumoir. A un degré moindre, un dépôt de "fumée" s'accumule à l'intérieur de votre grill à gaz. Ce dépôt n'a pas besoin d'être retiré et n'a aucune influence négative sur le fonctionnement de votre grill à gaz. ♦*

## US\_OPR\_417\_Sum.



# ALLUMAGE & UTILISATION DU BRÛLEUR DE LA RÔTISSOIRE

## ALLUMAGE DU BRÛLEUR DE LA RÔTISSOIRE

### Bouton d'allumage du brûleur de la rôtissoire

Remarque : L'allumeur de chaque bouton de commande crée une étincelle en provenance de l'électrode de l'allumeur vers le tube d'allumage du brûleur. Vous générez l'énergie nécessaire à la création de l'étincelle en enfonçant le bouton de commande et en le tournant vers MARCHE/ELEVE. Ceci allume chaque brûleur individuellement.

### ⚠ ATTENTION : LISEZ CECI AVANT D'ALLUMER LE BRÛLEUR DE LA RÔTISSOIRE

Après une période d'inutilisation, avant d'allumer le Brûleur de la rôtissoire, quelques secondes doivent s'écouler pour que la conduite de gaz d'alimentation se remplisse.

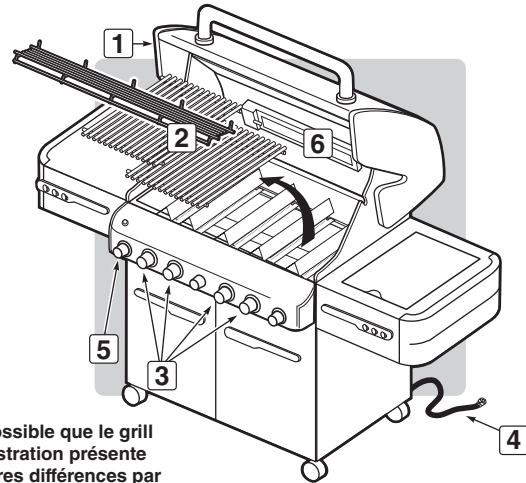
Lorsque vous utilisez le bouton d'allumage, vous voyez un éclair de flammes se déplacer de gauche à droite à travers la surface du Brûleur de la rôtissoire, le Brûleur de la rôtissoire n'est pas allumé tant que la totalité de la surface en céramique n'est pas allumée. A partir de ce moment, commencez à décompter 20 secondes avant de relâcher le bouton de commande du Brûleur de la rôtissoire. La surface du Brûleur de la rôtissoire rougeoit une fois que le brûleur est complètement allumé.

### ⚠ DANGER

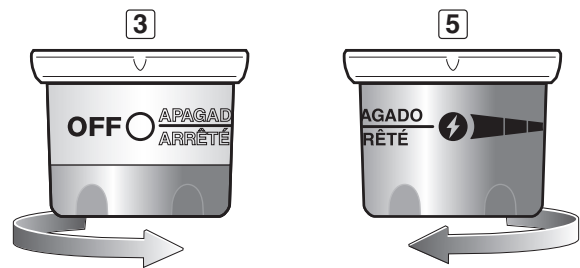
Le fait de ne pas ouvrir le couvercle lorsque vous allumez le grill, ou de ne pas patienter 5 minutes pour laisser le gaz se dissiper si le grill ne s'allumait pas, pourrait entraîner un embrasement explosif susceptible de provoquer une blessure grave ou la mort.

- ⚠ ATTENTION : Il peut être difficile de voir la flamme du Brûleur de la rôtissoire par une journée lumineuse et ensoleillée.
- ⚠ MISE EN GARDE : Vérifiez le tuyau avant chaque utilisation du grill afin de détecter toute entaille, fissure, abrasion ou coupure. Si le tuyau se révèle détérioré de quelque manière, n'utilisez pas le grill. Ne remplacez le tuyau que par un tuyau de rechange agréé par Weber®. Veuillez entrer en contact avec le Représentant du Service clientèle le plus proche grâce aux coordonnées à votre disposition sur notre site Internet. Connectez-vous sur [www.weber.com](http://www.weber.com)®.

- A) Ouvrez le couvercle (1).
- B) Retirez la grille de maintien au chaud et les grilles de cuisson du boîtier de cuisson. (2)
- C) Assurez-vous que tous les boutons de commande des brûleurs sont positionnés sur ARRÊTÉ (3). (Enfoncez le bouton de commande puis tournez-le dans le sens des aiguilles d'une montre pour vous assurer qu'il est positionné sur ARRÊTÉ.)
- D) Ouvrez le gaz à la source (4).
- ⚠ MISE EN GARDE : Ne vous penchez pas au-dessus du grill ouvert.
- E) Enfoncez le bouton de commande et positionnez-le sur MARCHE/ELEVE (5). Cette action provoque une étincelle au niveau de l'allumeur et allume le Brûleur de la rôtissoire. Continuez à utiliser l'allumeur automatique jusqu'à ce que le Brûleur de la rôtissoire soit allumé. Maintenez le bouton de commande enfoncé jusqu'à vingt secondes à partir du moment où le brûleur s'est allumé. Relâchez le bouton de commande.
- F) Vérifiez que le brûleur est allumé en regardant si le brûleur de la rôtissoire rougeoit (6).
- ⚠ MISE EN GARDE : Si le brûleur de la rôtissoire ne s'allume pas, positionnez le bouton de commande du brûleur sur ARRÊTÉ puis patientez 5 minutes pour laisser le gaz se dissiper avant d'essayer à nouveau ou d'essayer d'allumer le brûleur avec une allumette.



Il est possible que le grill de l'illustration présente de légères différences par rapport au modèle acheté.



Remarque : Lorsque vous utilisez la rôtissoire avec le couvercle fermé, allumez seulement deux des brûleurs principaux de chaque côté des aliments (Voir les Méthodes pour les grillades - Cuisson indirecte). Vérifiez vos aliments de temps en temps pour empêcher une cuisson excessive à l'extérieur. Éteignez le brûleur de la rôtissoire une fois que les aliments ont doré jusqu'à la teinte souhaitée. Finissez la cuisson à la chaleur Indirecte. ♦

### POUR ÉTEINDRE

Enfoncez et tournez le bouton de commande du brûleur dans le sens des aiguilles d'une montre pour le positionner sur 'ARRÊTÉ'. Fermez l'arrivée de gaz à la source. ♦

# ALLUMAGE & UTILISATION DU BRÛLEUR DE LA RÔTISSOIRE

## ALLUMAGE MANUEL DU BRÛLEUR DE LA RÔTISSOIRE

**⚠ ATTENTION : LISEZ CECI AVANT DE PROCÉDER À L'ALLUMAGE DU BRÛLEUR DE LA RÔTISSOIRE**

Après une période d'inutilisation, avant d'allumer le Brûleur de la rôtissoire, vous devez patienter quelques secondes pour que la conduite d'arrivée de gaz se remplisse. Lorsque vous avancez une allumette en direction du brûleur de la rôtissoire vous voyez un éclair de flammes se déplaçant de gauche à droite à travers la surface du Brûleur de la rôtissoire, le Brûleur de la rôtissoire n'est pas allumé tant que la totalité de la surface en céramique n'est pas enflammée. À partir de cet instant, commencez un décompte de 20 secondes avant de relâcher le bouton de commande du Brûleur de la rôtissoire. La surface du Brûleur de la rôtissoire rougeoit une fois que le brûleur est totalement allumé.

### **⚠ DANGER**

Le fait de ne pas ouvrir le couvercle pendant que vous allumez le grill, ou de ne pas patienter 5 minutes pour laisser le gaz se dissiper si le grill ne s'allumait pas, pourrait entraîner un embrasement explosif susceptible de provoquer une blessure grave ou la mort.

- ⚠ **ATTENTION** : Il peut être difficile de voir la flamme du Brûleur de la rôtissoire par une journée ensoleillée.
- ⚠ **MISE EN GARDE** : Vérifiez le tuyau avant chaque utilisation du grill afin de détecter toute entaille, fissure, abrasion ou coupure. Si le tuyau se révèle détérioré de quelque manière, n'utilisez pas le grill. Remplacez-le uniquement par un tuyau de rechange agréé par Weber®. Veuillez entrer en contact avec le Représentant du Service clientèle de votre région grâce aux coordonnées à votre disposition sur notre site Internet. Connectez-vous sur [www.weber.com](http://www.weber.com)®.

- A) Ouvrez le couvercle (1).
- B) Retirez la grille de maintien au chaud et les grilles de cuisson du boîtier de cuisson (2).
- C) Assurez-vous que tous les boutons de commande des brûleurs sont positionnés sur ARRÊTÉ (3). (Enfoncez le bouton de commande et tournez-le dans le sens des aiguilles d'une montre pour vous assurer qu'il est positionné sur ARRÊTÉ.)
- D) Ouvrez le gaz à la source (4).
- E) Placez une allumette dans le porte-allumette puis frottez-la.
- F) Tenez le porte-allumette et allumez le brûleur de la rôtissoire avec l'allumette depuis le côté droit (5).

**⚠ MISE EN GARDE : Ne vous penchez pas au-dessus du grill ouvert.**

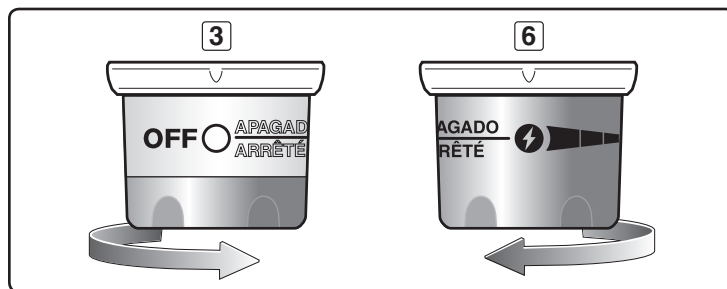
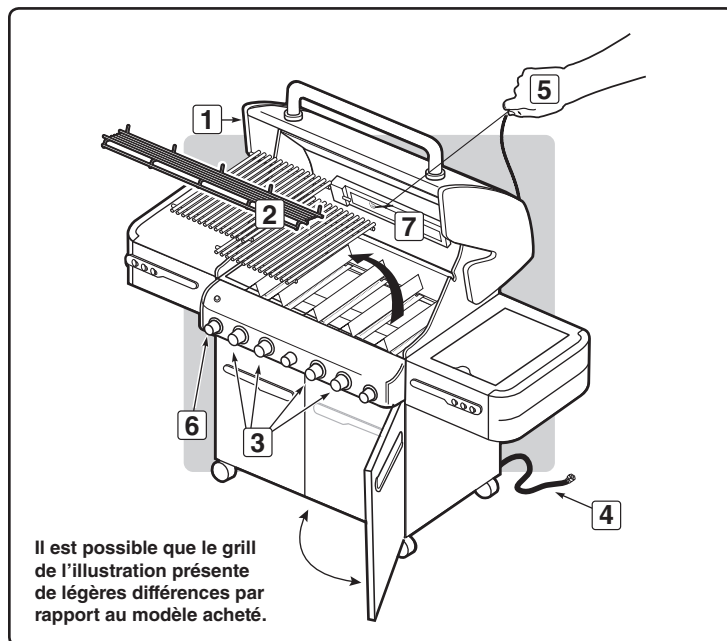
- G) Enfoncez le bouton de commande du brûleur de la rôtissoire puis positionnez-le sur MARCHE/ELEVE (6). Maintenez le bouton de commande enfoncé jusqu'à vingt secondes à partir du moment où le brûleur s'est allumé.
- H) Vérifiez que le brûleur est allumé en regardant si le brûleur de la rôtissoire rougeoit (7).

**⚠ MISE EN GARDE : Si le brûleur de la rôtissoire ne s'allume pas, positionnez le bouton de commande du brûleur sur ARRÊTÉ puis patientez 5 minutes pour laisser le gaz se dissiper avant d'essayer à nouveau.**

*Remarque : Lorsque vous utilisez la rôtissoire avec le couvercle fermé, allumez seulement deux des brûleurs principaux au-dessus des aliments (Voir les Méthodes pour les grillades - Cuisson indirecte). Vérifiez régulièrement l'état de vos aliments pour empêcher que l'extérieur ne soit trop cuit. Fermez le brûleur de la rôtissoire une fois que les aliments ont doré jusqu'à la teinte souhaitée. Finissez la cuisson grâce à la chaleur Indirecte. ♦*

## POUR ETEINDRE

Enfoncez et tournez le bouton de commande du brûleur dans le sens des aiguilles d'une montre vers la position ARRÊTÉ. Fermez l'arrivée de gaz à la source. ♦



# ALLUMAGE & UTILISATION DU BRULEUR DE LA ROTISSOIRE

## AVANT D'UTILISER VOTRE RÔTISSOIRE

Remarque : Avant d'utiliser votre rôtissoire, mesurez votre aliment au point le plus large. Si la mesure est supérieure à 9 1/2" (241,8mm), votre aliment est trop grand pour entrer dans la rôtissoire. S'il est trop grand, votre aliment peut être préparé en utilisant un support à rôtir et la Méthode de cuisson indirecte.

### Précautions De Sécurité Importantes

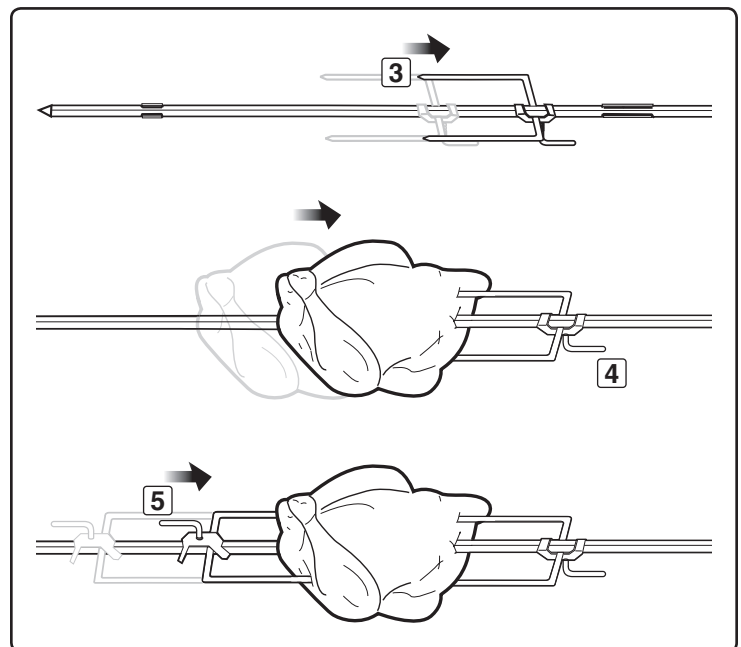
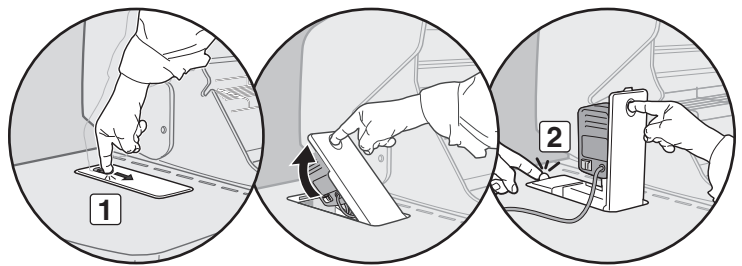
#### ⚠ MISES EN GARDE

- ⚠ Lisez toutes les instructions avant d'utiliser votre rôtissoire.
- ⚠ Cette rôtissoire convient pour une utilisation en extérieur uniquement.
- ⚠ Retirez le moteur et rangez-le au sec lorsque vous ne l'utilisez pas.
- ⚠ Ne touchez pas les surfaces à haute température. Utilisez des gants de cuisinier.
- ⚠ Cette rôtissoire ne convient pas à une utilisation par des enfants.
- ⚠ Afin de vous protéger contre tout risque électrique, ne plongez pas le cordon d'alimentation, les fiches ou le moteur dans l'eau ni dans d'autres liquides.
- ⚠ Débranchez le moteur de la prise secteur lorsque vous ne l'utilisez pas ou avant de le nettoyer.
- ⚠ N'utilisez pas la rôtissoire pour un autre usage que celui pour lequel elle a été conçue.
- ⚠ Assurez-vous que le moteur est arrêté avant de le placer sur son support.
- ⚠ Ne faites pas fonctionner le moteur de la rôtissoire si le cordon d'alimentation ou la prise sont détériorés.
- ⚠ N'utilisez pas le moteur de la rôtissoire en cas de dysfonctionnement.
- ⚠ Le moteur de la rôtissoire est équipé d'un cordon d'alimentation à trois ergots (de raccordement à la terre) afin de vous protéger contre les risques d'électrocution.
- ⚠ Le cordon d'alimentation devrait être branché directement dans un réceptacle à trois ergots correctement raccordé à la terre. Si l'utilisation d'un cordon de rallonge est nécessaire, assurez-vous qu'il s'agit au minimum d'un cordon de 16 AWG (1,3 mm) à 3 brins bien isolé comportant une indication selon laquelle il CONVIENT POUR UNE UTILISATION EN EXTERIEUR UNIQUEMENT et qu'il est correctement raccordé à la terre.
- ⚠ Lorsque vous utilisez un cordon de rallonge, assurez-vous que celui-ci n'entre pas en contact avec une surface à haute température ou avec une surface coupante.
- ⚠ Les cordons de rallonge d'extérieur devraient comporter l'inscription "W-A" et une étiquette indiquant "Convient pour une utilisation avec des appareils d'extérieur".
- ⚠ Ne coupez pas ou ne retirez pas l'ergot de raccordement à la terre du cordon d'alimentation du moteur de la rôtissoire.
- ⚠ Ne laissez pas le cordon pendre au-dessus de toute extrémité coupante ou de toute surface à haute température.
- ⚠ N'exposez pas le moteur de la rôtissoire à la pluie.
- ⚠ Pour réduire le risque de choc électrique, maintenez le raccord du cordon de rallonge au sec et éloigné du sol.
- ⚠ Un cordon d'alimentation court est fourni afin de réduire le risque de se prendre les pieds dedans. Vous pouvez utiliser des cordons de rallonge mais vous devez faire preuve de prudence afin de ne pas trébucher sur le cordon.
- ⚠ En l'absence de codes régionaux, le moteur de la rôtissoire doit être raccordé au sol électriquement conformément au Code national de l'électricité, ANSI / NFPA 70, ou au Code de l'électricité du Canada, CSA C22.1. ♦

## UTILISATION DE LA ROTISSOIRE

### ⚠ MISE EN GARDE : Disposez les aliments à l'intérieur de la rôtissoire avant d'allumer le brûleur.

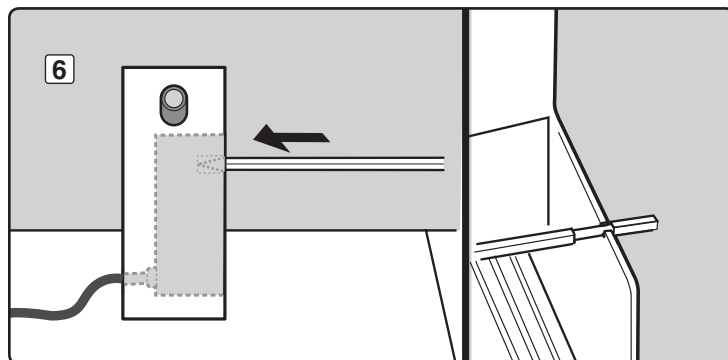
- A) Pour mettre le moteur de la rôtissoire en place, appuyez sur le bouton situé sur le panneau de la rôtissoire rétractable (1). Tirez le panneau de la rôtissoire vers le haut. Enfoncez la languette de verrouillage (2) jusqu'à ce qu'un déclic indique qu'elle est en place.
- B) Retirez le cordon d'alimentation et branchez-le à une source d'électricité.
- ⚠ **ATTENTION : Ne faites pas passer le cordon d'alimentation du moteur de la rôtissoire à travers l'ouverture du plan de travail destinée à la rôtissoire rétractable.**
- ⚠ **ATTENTION : Inspectez le cordon d'alimentation avant chaque utilisation. En cas de détérioration du cordon, ne l'utilisez pas. Contactez le Représentant du Service clientèle le plus proche grâce aux informations à votre disposition sur notre site Internet. Connectez-vous sur [www.weber.com](http://www.weber.com).**
- C) Faites glisser l'une des pointes de la broche vers le côté droit de l'axe de la rôtissoire, en vous assurant que les parties piquantes soient orientées vers la gauche et que la vis de la broche soit orientée vers le bas (3).
- D) Enfoncez l'axe de la rôtissoire au milieu des aliments. Insérez les extrémités des deux broches dans les aliments. Les aliments devraient être centrés sur l'axe. Serrez les vis de la broche (4).
- E) Glissez une autre broche sur l'axe de rotation de la rôtissoire, en vous assurant que les pointes soient orientées vers la droite et que la vis de la broche soit orientée vers le haut. Insérez les extrémités des deux broches dans les aliments. Serrez la vis de la broche (5).





# ALLUMAGE & UTILISATION DU BRULEUR DE LA ROTISSOIRE

- F) Insérez l'extrémité pointue de l'axe de rotation de la rôtissoire à l'intérieur du moteur. Abaissez la broche de la rôtissoire dans les encoches situées sur la cuve (6).
- G) L'axe de la rôtissoire devrait pivoter de sorte que le côté le plus lourd de la viande ou de la volaille soit entraîné vers le bas. Les pièces de grande taille peuvent nécessiter le retrait des grilles de cuisson et de la grille de maintien au chaud afin de permettre la rotation complète de l'axe. Remontez les aliments si cela s'avère nécessaire pour obtenir un meilleur équilibre.
- H) Allumez le moteur. ♦



## CUISSON A L'AIDE DE LA ROTISSOIRE

- Les viandes (à l'exception de la volaille et de la viande hachée) devraient être portées à température ambiante avant la cuisson. (20 à 30 minutes devraient convenir pour la plupart des aliments. Si les aliments sont surgelés, décongelez-les complètement avant la cuisson.)
- Si cela s'avère nécessaire, liez la viande ou la volaille à l'aide d'une ficelle pour rendre la forme aussi homogène que possible avant de la placer sur la broche.
- Retirez les grilles de cuisson et la grille de maintien au chaud pour permettre aux aliments de pivoter librement.
- Suivez les instructions pour l'allumage du brûleur de la rôtissoire.
- Réglez le brûleur de la rôtissoire sur moyen-élevé en fonction de la température de l'air extérieur.
- Placez les aliments dans la zone du brûleur.
- Si vous souhaitez conserver les jus de viande pour la sauce, placez un égouttoir directement au-dessous des aliments au-dessus des barres Flavorizer®.
- Les étapes de préparation des aliments sont les mêmes pour la cuisson à la rôtissoire que pour une cuisson ordinaire.
- La totalité de la cuisson s'effectue couvercle fermé.
- Si les aliments sont trop lourds ou présentent des formes irrégulières, il est possible qu'ils ne pivotent pas bien et qu'ils doivent être cuits par le biais de la Méthode de cuisson indirecte sans utilisation de la rôtissoire.
- Le fumoir peut être utilisé en association avec la rôtissoire pour une saveur fumée plus prononcée.

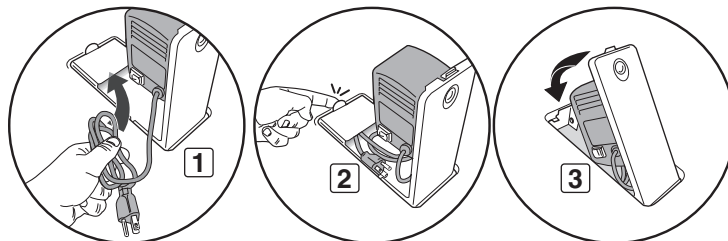
Remarque : Lorsque vous utilisez le brûleur de la rôtissoire, le thermomètre du grill n'indique pas la température à l'intérieur de la cuve. ♦

## STOCKAGE DU MOTEUR DE LA ROTISSOIRE

- A) Avant de rétracter la rôtissoire à l'intérieur du plan de travail, débranchez le cordon d'alimentation et placez avec prudence la fiche/le cordon d'alimentation dans la zone de rangement de la rôtissoire rétractable (1).

**⚠ ATTENTION : Le non respect des consignes de stockage du cordon d'alimentation de la rôtissoire risque de d'entraîner sa détérioration au moment de l'ouverture et de la fermeture du panneau de la rôtissoire rétractable.**

- B) Avec l'index, dégagez le panneau de la rôtissoire rétractable (2). Enfoncez le panneau vers le bas jusqu'à ce qu'un déclic indique qu'il est correctement positionné (3). ♦

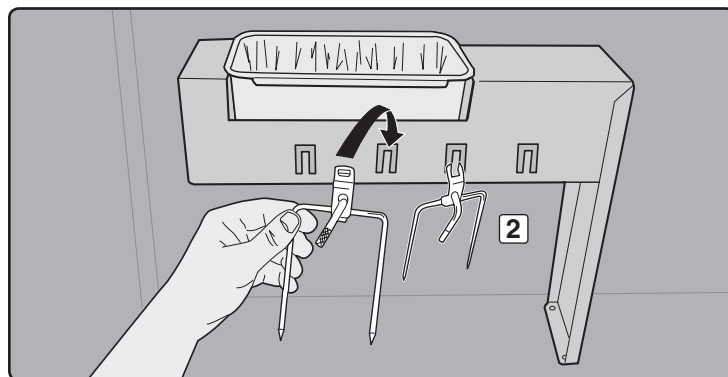
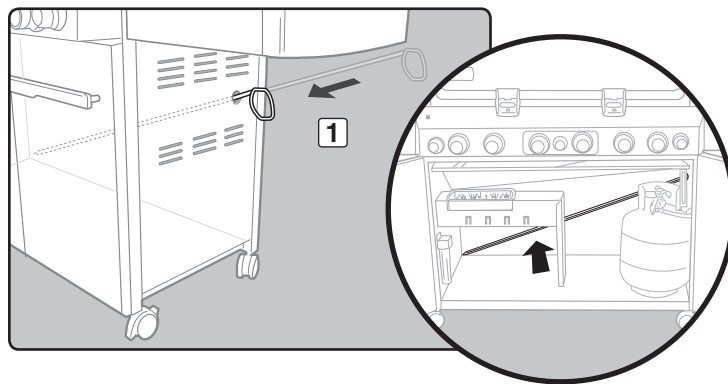


## STOCKAGE DE LA BROCHE DE LA ROTISSOIRE

- A) Retirez les parties piquantes de la broche de la rôtissoire. Insérez avec précaution la broche dans le meuble en la faisant glisser à travers le trou à l'intérieur du panneau latéral droit (1).

**⚠ ATTENTION : Ne laissez pas la broche de la rôtissoire entrer en contact avec des conduites de gaz.**

- B) Rangez les parties piquantes de la rôtissoire en les plaçant sur les crochets situés sur le support de l'égouttoir à l'intérieur du meuble du grill (2). ♦



## RESOLUTION DES PROBLEMES

PROBLEME	VERIFICATION	SOLUTION
<p>Les brûleurs produisent une flamme jaune ou orange, et une odeur de gaz se dégage (C'est normal pour le tube d'allumage du brûleur).</p> <p><b>Symptômes :</b></p> <p>Le brûleur ne s'allume pas, ou la flamme est petite en position ELEVE.</p>	Inspectez les Grilles anti-araignées/insectes pour détecter les obstacles potentiels. (Blocage des trous.)	Nettoyez les Grilles anti-araignées/insectes (voir "MAINTENANCE ANNUELLE").
	Le tuyau d'alimentation en combustible est-il plié ou pincé ?	Redressez le tuyau d'alimentation en combustible.
	Le brûleur s'allume-t-il avec une allumette ?	Nettoyez les brûleurs (voir "MAINTENANCE").
	Avez-vous utilisé l'allumeur à déclic plusieurs fois jusqu'à ce que le brûleur principal s'allume (voir "ALLUMAGE DU BRULEUR PRINCIPAL")?	Assurez-vous de maintenir le bouton de commande enfoncé pendant deux secondes une fois que vous avez appuyé sur l'allumeur et que vous avez vu la flamme orange sortir du tube d'allumage du brûleur.
	L'allumeur fonctionne-t-il (Voyez-vous une étincelle lorsque vous utilisez plusieurs fois le bouton de l'allumeur ?	Essayez d'allumer les brûleurs manuellement (voir "ALLUMAGE MANUEL DU BRULEUR PRINCIPAL"). Appelez le Service client.
<p>Des embrasements se produisent :</p> <p><b>⚠ ATTENTION : Ne recouvrez pas le plateau inférieur de papier aluminium.</b></p>	Préchauffez-vous le barbecue selon la méthode recommandée ?	Tous les brûleurs sur ELEVE pendant 10 à 15 minutes pour le préchauffage.
	Les grilles de cuisson et les barres Flavorizer® sont-elles recouvertes d'une épaisse couche de graisse brûlée ?	Nettoyez méticuleusement (voir "NETTOYAGE").
	Le plateau inférieur est-il "sale" et empêche-t-il la graisse de s'écouler vers l'égouttoir ?	Nettoyez le plateau inférieur.
L'aspect de la flamme du brûleur est irrégulier. La flamme est petite lorsque le brûleur est réglé sur ELEVE. Les flammes ne brûlent pas sur toute la longueur du tube du brûleur.	Les brûleurs sont-ils propres ?	Nettoyez les brûleurs (voir "MAINTENANCE").
L'intérieur du couvercle semble "s'écailler." (Cela ressemble à des éclats de peinture.)	Le couvercle est en émail ou en acier inoxydable, il n'est pas peint. Il ne peut pas "s'écailler." Ce que vous voyez, ce sont des éclats de graisse carbonisée qui se détachent du couvercle. <b>IL NE S'AGIT PAS D'UN DEFAUT.</b>	Nettoyez méticuleusement (voir "NETTOYAGE").
Les portes du placard ne sont pas alignées.	Vérifiez la goupille de réglage au bas de chaque porte.	Desserrez le ou les écrou(s) de réglage. Faites glisser la ou les porte(s) jusqu'à ce que celle(s)-ci soi(en)t alignée(s). Serrez l'écrou.
<p>Si vous ne parvenez pas à résoudre les problèmes en utilisant ces méthodes, veuillez entrer en contact avec le Représentant du Service clientèle le plus proche grâce aux coordonnées à votre disposition sur notre site Internet. Connectez-vous sur <a href="http://www.weber.com">www.weber.com</a>®.</p>		

## RESOLUTION DES PROBLEMES DU BRULEUR LATERAL

PROBLEME	VERIFICATION	SOLUTION
Le brûleur latéral ne s'allume pas.	L'arrivée de gaz est-elle fermée ?	Ouvrez l'arrivée de gaz.
La flamme est petite en position HI.	Le tuyau d'alimentation en combustible est-il plié ou pincé ?	Redressez le tuyau.
L'allumage par bouton poussoir ne fonctionne pas.	Le brûleur s'allume-t-il avec une allumette ?	Si une allumette allume le brûleur, vérifiez l'allumeur (voir "MAINTENANCE DU BRULEUR LATERAL").
<p>Si vous ne parvenez pas à résoudre les problèmes en utilisant ces méthodes, veuillez entrer en contact avec le Représentant du Service clientèle le plus proche grâce aux coordonnées à votre disposition sur notre site Internet. Connectez-vous sur <a href="http://www.weber.com">www.weber.com</a>®.</p>		



## RESOLUTION DES PROBLEMES DE VOTRE SEAR STATION®

PROBLEME	VERIFICATION	SOLUTION
<b>Les brûleurs ont une flamme jaune ou orange, en association avec une odeur de gaz (C'est normal pour le tube d'allumage du brûleur).</b> <b>Le brûleur Sear Station® ne s'allume pas.</b>	Inspectez les Grilles anti-araignées/insectes pour détecter toute obstruction potentielle. (Blocage des trous.)	Nettoyez les Grilles anti-araignées/insectes (voir "MAINTENANCE ANNUELLE").
	Avez-vous allumé les deux brûleurs principaux adjacents ? (Voir les instructions concernant la procédure d'allumage en toute sécurité "ALLUMAGE & UTILISATION DE VOTRE SEAR STATION®")	Vérifiez l'allumage des brûleurs adjacents principaux en effectuant une inspection visuelle de la flamme.  <b>⚠ MISE EN GARDE: Si l'allumage ne se produit pas sous 5 secondes, positionnez la commande du brûleur sur ARRÊTÉ, patientez 5 minutes pour laisser le gaz se dissiper avant d'essayer à nouveau.</b>
	Le brûleur s'allume-t-il avec une allumette ?	Si vous pouvez allumer le brûleur à l'aide d'une allumette, vérifiez alors le Canal Crossover® sur le brûleur à griller (voir la section "MAINTENANCE" pour la procédure de retrait et de nettoyage du brûleur).
	L'allumeur fonctionne-t-il ? (Voyez-vous une étincelle lorsque vous appuyez plusieurs fois sur l'allumeur automatique ?	Essayez d'allumer manuellement le brûleur (voir "ALLUMAGE & UTILISATION DE VOTRE SEAR STATION®"). Appelez le Service client.
<b>Si les problèmes ne peuvent pas être résolus en utilisant ces méthodes, veuillez contacter le Représentant du Service clientèle le plus proche grâce aux coordonnées à votre disposition sur notre site Internet. Connectez-vous sur <a href="http://www.weber.com">www.weber.com</a>.</b>		

## RESOLUTION DES PROBLEMES DE LA ROTISSOIRE

PROBLEME	VERIFICATION	SOLUTION
<b>Le brûleur de la rotissoire ne s'allume pas.</b>	Avez-vous maintenu le bouton de commande du brûleur de la rotissoire enfoncé pendant 20 secondes après l'allumage du brûleur ?	Essayez de rallumer le brûleur en maintenant le bouton de commande du brûleur enfoncé pendant 20 secondes une fois que le brûleur s'est allumé.
	Avez-vous attendu de voir la totalité de la surface en céramique allumée avant de décompter 20 secondes ?	Lorsque vous rallumez le brûleur en maintenant le bouton de commande du brûleur enfoncé, attendez de voir la totalité de surface en céramique allumée avant de décompter 20 secondes .
	Avez-vous utilisé le bouton d'allumage plusieurs fois jusqu'à ce que le brûleur s'allume ?	Après avoir patienté pendant cinq minutes pour laisser le gaz se dissiper, essayez plusieurs fois d'utiliser l'allumeur à déclic jusqu'à ce que le brûleur s'allume (voir "ALLUMAGE & UTILISATION DU BRULEUR DE LA ROTISSOIRE").
	L'allumeur fonctionne-t-il (Voyez-vous une étincelle lorsque vous utilisez plusieurs fois le bouton d'allumage ?	Essayez d'allumer le brûleur manuellement (voir "ALLUMAGE MANUEL DU BRULEUR DE LA ROTISSOIRE"). Appelez le Service client.
<b>Si vous ne parvenez pas à résoudre les problèmes en utilisant ces méthodes, veuillez entrer en contact avec le Représentant du Service clientèle le plus proche grâce aux coordonnées à votre disposition sur notre site Internet. Connectez-vous sur <a href="http://www.weber.com">www.weber.com</a>.</b>		

## RESOLUTION DES PROBLEMES DE LA LAMPE DE POIGNEE GRILL OUT™

PROBLEME	VERIFICATION	SOLUTION
<b>L'éclairage de poignée Weber Grill Out™ ne s'allume pas.</b>	Les piles sont-elles usagées ?	Remplacez les piles.
	Les piles sont-elles correctement installées ?	Voir l'illustration de montage.
	Le couvercle est -il en position haute et le bouton de mise en marche est-il positionné sur ON ?	La lumière s'allume lorsque le couvercle est ouvert.
	L'éclairage de poignée Weber Grill Out™ est-il activé ?	Appuyez sur le bouton de mise en marche.
	L'éclairage de poignée Weber Grill Out™ est-il positionné correctement sur la poignée ?	Ajustez la position de la lampe (Voir l'illustration de montage).
<b>Si vous ne parvenez pas à résoudre les problèmes en utilisant ces méthodes, veuillez entrer en contact avec le Représentant du Service clientèle le plus proche grâce aux coordonnées à votre disposition sur notre site Internet. Connectez-vous sur <a href="http://www.weber.com">www.weber.com</a>.</b>		

## NETTOYAGE

⚠ **MISE EN GARDE** : Fermez votre barbecue à gaz Weber® et attendez que celui-ci ait refroidi avant de le nettoyer.

⚠ **ATTENTION** : Ne nettoyez pas vos barres Flavorizer® ou vos grilles de cuisson dans un four auto-nettoyant.

Pour connaître la disponibilité des grilles de cuisson et des barres Flavorizer® de rechange, veuillez entrer en contact avec le Représentant du Service clientèle de votre région grâce aux coordonnées à votre disposition sur notre site Internet. Connectez-vous sur [www.weber.com](http://www.weber.com).

**Surfaces externes** - Utilisez une solution d'eau savonneuse chaude pour le nettoyage, ensuite rincez à l'eau.

⚠ **ATTENTION** : N'utilisez pas de nettoyant pour four, de détergents abrasifs (détergents de cuisine), de détergents contenant des agrumes, ni des tampons de nettoyage abrasifs sur les surfaces du barbecue ou du chariot.

**Sortez le plateau amovible en le faisant glisser** - Retirez la graisse en excès, puis lavez à l'eau savonneuse chaude, avant de rincer.

⚠ **ATTENTION** : Ne recouvrez pas le plateau inférieur de papier aluminium.

**Barres Flavorizer® et grilles de cuisson** - Nettoyez-les avec une brosse en acier inoxydable adaptée. Si nécessaire, retirez-les du grill et lavez-les à l'eau savonneuse chaude, puis rincez-les à l'eau.

**Égouttoir** - Nous proposons des plats en aluminium jetables, ou vous pouvez recouvrir l'égouttoir de papier aluminium. Pour nettoyer l'égouttoir, lavez-le à l'eau savonneuse chaude, puis rincez-le.

**Thermomètre** - Essuyez-le avec de l'eau savonneuse chaude ; nettoyez-le avec une balle de plastique à récurer.

**Intérieur du module de cuisson** - Retirez tout débris en le brossant vers l'extérieur des tubes du brûleur. N'ELARGISSEZ PAS LES PORTS (OUVERTURES). Lavez l'intérieur du boîtier de cuisson à l'eau savonneuse chaude puis rincez à l'eau.

**Intérieur du couvercle** - Lorsque le couvercle est encore chaud, essuyez l'intérieur avec une serviette en papier pour empêcher toute accumulation de graisse. Les éclats de graisse accumulés ressemblent à des éclats de peinture.

**Surfaces en acier inoxydable** - Lavez les surfaces avec un chiffon doux et une solution d'eau savonneuse. Veillez à frotter dans le sens du grain de l'acier inoxydable.

**N'utilisez pas de produits de nettoyage contenant de l'acide, des alcools minéraux ou du xylène. Rincez bien une fois le nettoyage terminé.**

**Préservez votre acier inoxydable** - Votre grill ou son placard, son couvercle, son panneau de commande ainsi que ses étagères peuvent être en acier inoxydable. Préserver l'aspect optimal de l'acier inoxydable n'est pas compliqué. Nettoyez à l'eau savonneuse, rincez à l'eau claire et essuyez pour sécher. Pour les particules tenaces, vous pouvez utiliser une brosse non métallique.

⚠ **IMPORTANT** : N'utilisez pas de brosse métallique ni de détergents abrasifs sur les surfaces en acier inoxydable de votre grill car ceci le rayerait.

⚠ **IMPORTANT** : Lorsque vous nettoyez les surfaces assurez-vous de frotter/essuyer dans le sens du grain pour préserver l'aspect de votre acier inoxydable. ♦

## GRILLES ANTI-ARAIGNEES/INSECTES WEBER®

Votre barbecue à gaz Weber®, comme tout appareil à gaz d'extérieur, constitue une cible pour les araignées et les autres insectes. Ceux-ci peuvent faire leur nid dans la section des venturi (1) des tubes du brûleur. Ceci bloque le débit normal du gaz, et risque de provoquer le retour du gaz à l'extérieur de l'ouverture destinée à l'air nécessaire à la combustion. Ceci pourrait entraîner un incendie à l'intérieur et autour des ouvertures destinées à recevoir l'air nécessaire à la combustion, au-dessous du panneau de commande, provoquant une détérioration grave de votre barbecue.

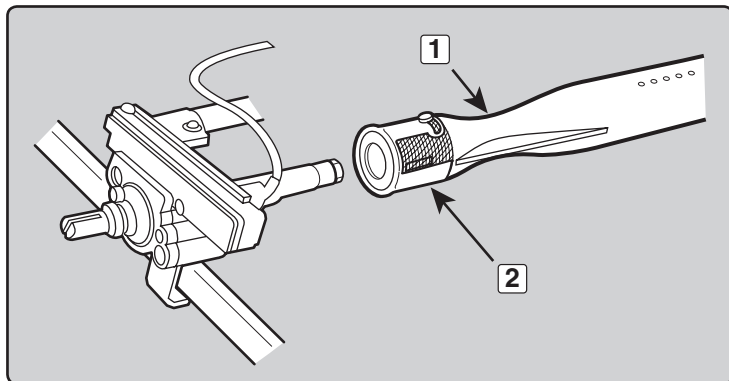
L'ouverture destinée à recevoir l'air nécessaire à la combustion est protégée par une grille en acier inoxydable (2) afin d'empêcher les araignées et les autres insectes d'accéder aux tubes du brûleur à travers les ouvertures de circulation de l'air nécessaire à la combustion.

Nous vous recommandons d'inspecter les Grilles anti-araignées/insectes au moins une fois par an. (Voir la Section "MAINTENANCE ANNUELLE") Veuillez également inspecter et nettoyer les Grilles anti-araignées/insectes si l'un des symptômes suivant se produisait :

- A) Une odeur de gaz associée à l'aspect jaune et faible des flammes du brûleur.
- B) Le barbecue n'atteint pas la température.
- C) Le barbecue ne chauffe pas de façon homogène.
- D) Un ou plusieurs brûleurs ne s'allument pas.

### ⚠ DANGER

**Le fait de ne pas corriger les symptômes mentionnés ci-dessus pourrait entraîner un incendie, susceptible de provoquer une blessure grave ou la mort et des dommages à la propriété. ♦**



## NETTOYAGE DU BRULEUR PRINCIPAL

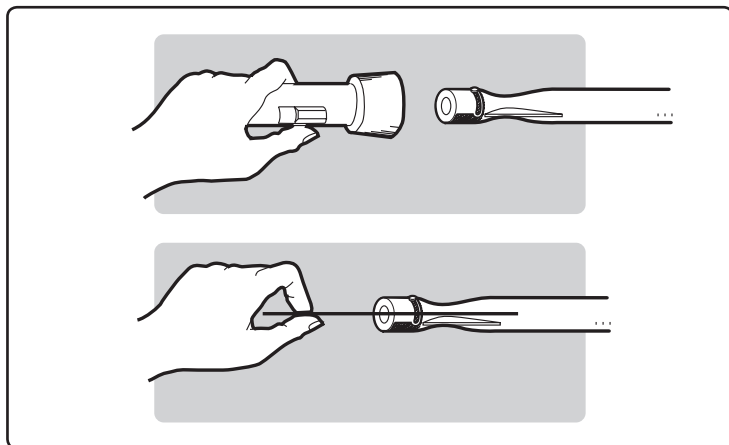
### FERMEZ L'ARRIVÉE DE GAZ.

Retirez le collecteur (Voir "REPLACEZ LES BRÛLEURS PRINCIPAUX").

Regardez à l'intérieur de chaque brûleur avec une lampe torche.

Nettoyez l'intérieur des brûleurs à l'aide d'un fil de fer (un cintre déplié fera l'affaire). Vérifiez et nettoyez les orifices des clapets d'arrivée d'air aux extrémités des brûleurs. Vérifiez et nettoyez les orifices à la base des valves. Utilisez une brosse en fils d'acier pour nettoyer l'extérieur des brûleurs. Cela permet de s'assurer que tous les ports des brûleurs sont entièrement ouverts.

⚠ **ATTENTION** : N'élargissez pas les ports des brûleurs pendant le nettoyage. ♦

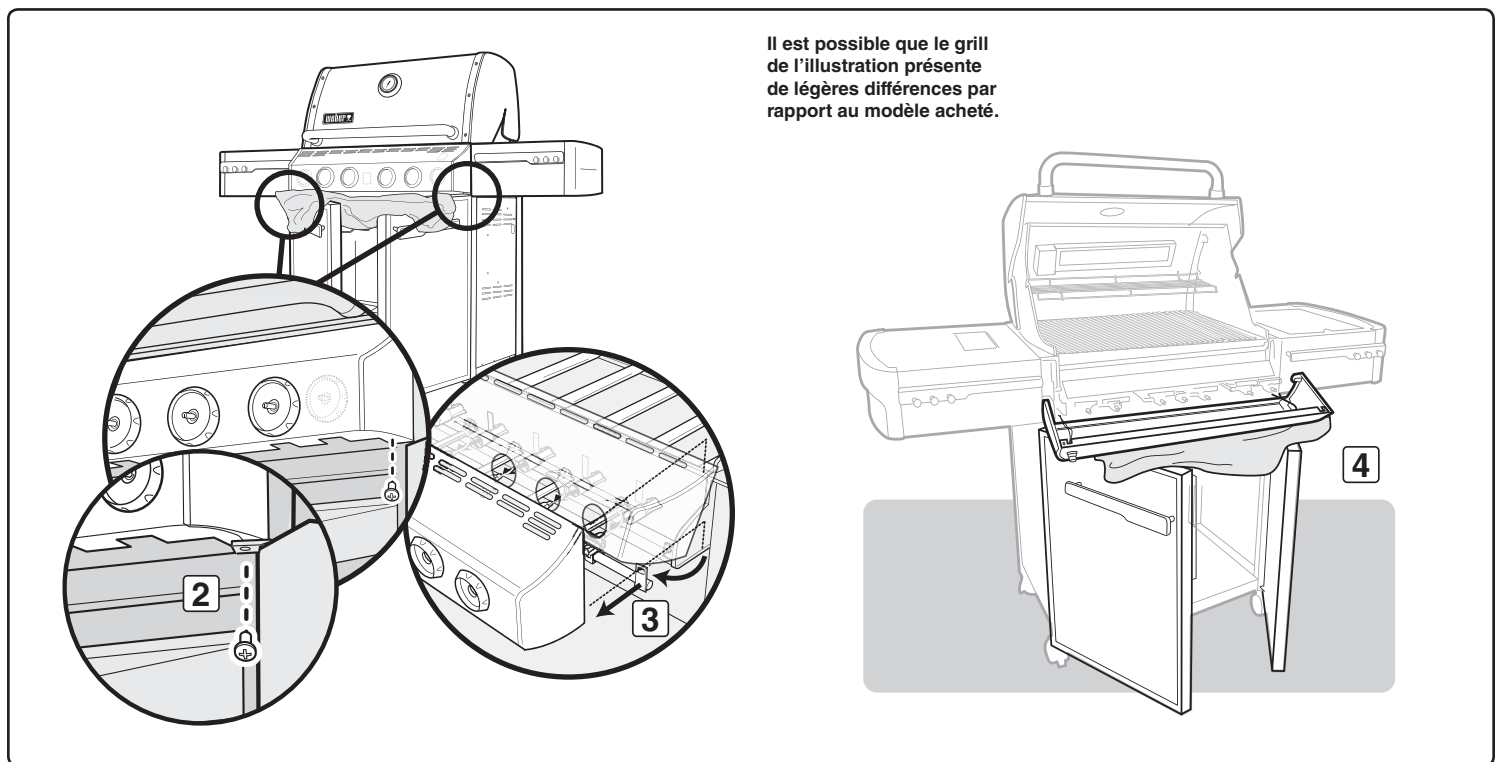
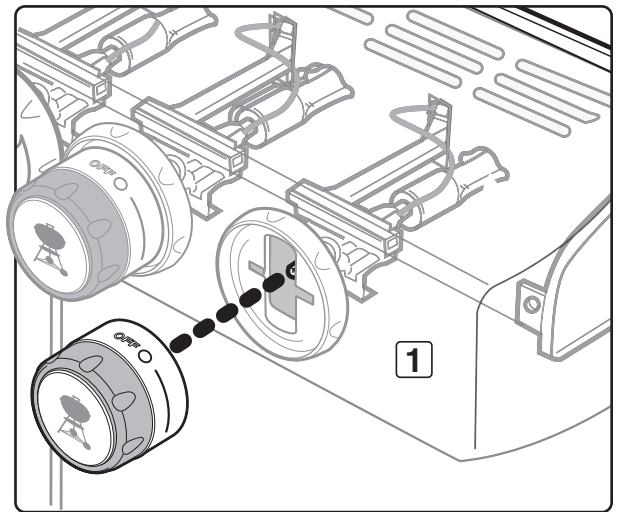


## REPLACEMENT DES BRULEURS PRINCIPAUX

- A) Votre grill à gaz Summit® doit être éteint et avoir refroidi.
- B) Fermez le gaz à la source.
- C) Déconnectez l'arrivée de gaz.
- D) Retirez les grilles de cuisson.
- E) Retirez les barres Flavorizer®.
- F) Retirez le boîtier du fumoir (si inclus dans votre modèle).

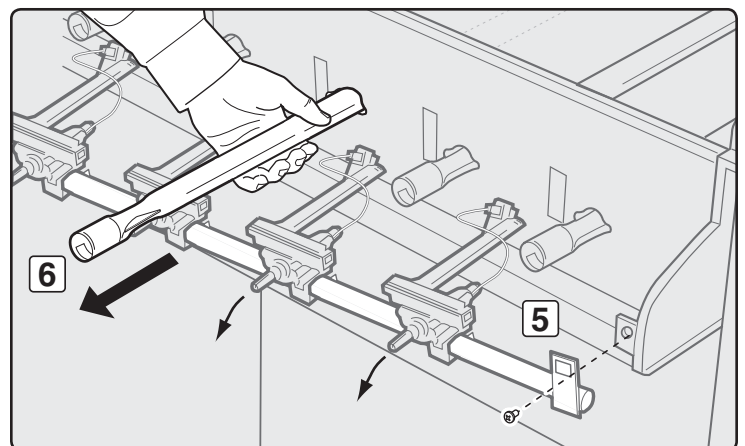
### Retirer le panneau de commandes

- G) Pièces nécessaires : un tournevis cruciforme et une serviette.
  - a) Retirez les boutons de commande du brûleur (1).
  - b) Ouvrez les deux portes et placez une serviette au-dessus des portes. **Ceci protégera le panneau de commandes ainsi que les dessus des portes contre les rayures lors de l'étape suivante.**
  - c) Retirez les vis du dessous du panneau de commandes à l'aide d'un tournevis cruciforme (2).
  - d) Inclinez le panneau de commandes vers l'avant et soulevez-le pour l'éloigner du grill (3) (Pour les modèles Summit® avec fonctionnalités LED : Faites attention à ne pas briser ou déconnecter les câbles des LED du panneau de commandes).
  - e) Placez le panneau de commandes sur la serviette qui couvre l'ensemble des portes (4).



Il est possible que le grill de l'illustration présente de légères différences par rapport au modèle acheté.

- H) Retirez les deux vis qui maintiennent le collecteur contre le boîtier de cuisson. Retirez l'ensemble du collecteur du cadre du collecteur (5).
- I) Retirez le(s) tube(s) du/des brûleur(s) sélectionné(s) du cadre du collecteur et remplacez-le(s) par un/des tube(s) de brûleur(s) neuf(s) (6).



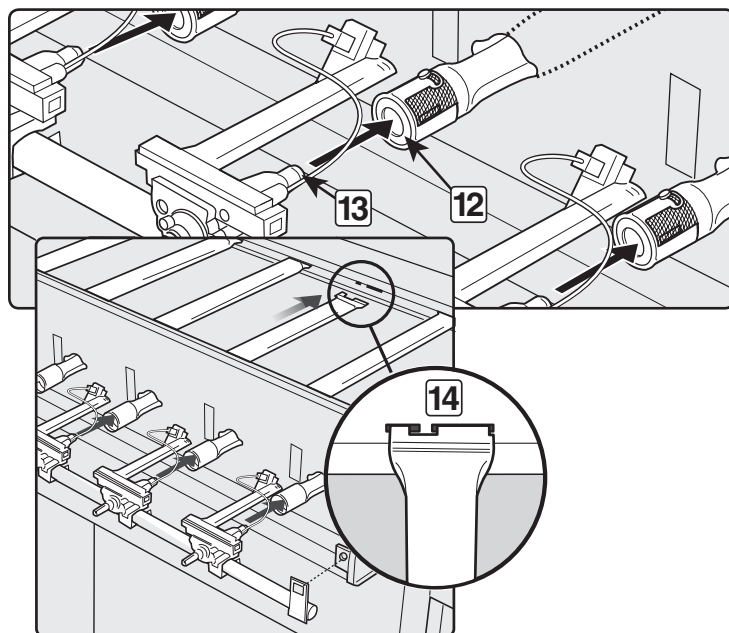
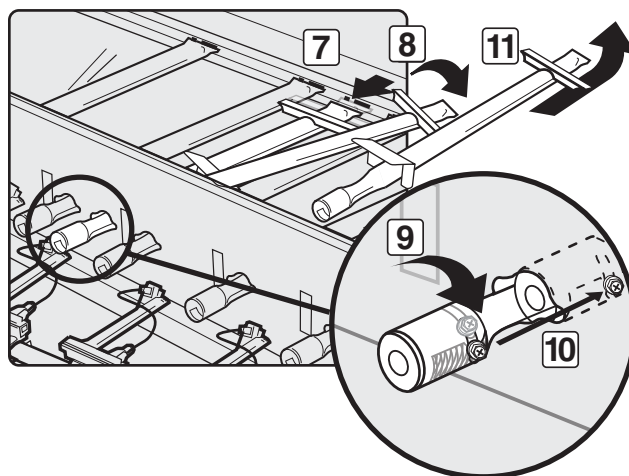
## Retrait du brûleur sear station®

Pour retirer le brûleur Sear Station®, tirez le tube du brûleur vers vous. Ceci le retire de l'encoche du tube du brûleur (7). Ensuite, faites pivoter le tube dans le sens des aiguilles d'une montre (8), en veillant à faire pivoter le tube de sorte que la vis à l'extrémité du tube (9) s'encastre dans l'encoche de l'ouverture de la protection contre la chaleur (10). Lorsque le tube du brûleur est dégagé, retirez-le du boîtier de cuisson (11).

J) Pour remettre en place l'ensemble du collecteur, inversez les étapes G à I.

⚠ **ATTENTION** : Les orifices du brûleur (12) doivent être positionnés correctement au-dessus des orifices des valves (13). Assurez-vous que l'extrémité opposée des tubes du brûleur (14) est correctement alignée avec les fentes à l'arrière du boîtier de cuisson. Vérifiez que le montage est correct avant de fixer le collecteur en place.

⚠ **MISE EN GARDE** : Une fois que vous aurez remis en place les conduites de gaz, celles-ci devraient faire l'objet d'un contrôle de détection des fuites au moyen d'une solution d'eau savonneuse avant toute utilisation du grill. (Voir, "Détection des fuites de gaz.") ♦



## MAINTENANCE DU BRULEUR LATERAL

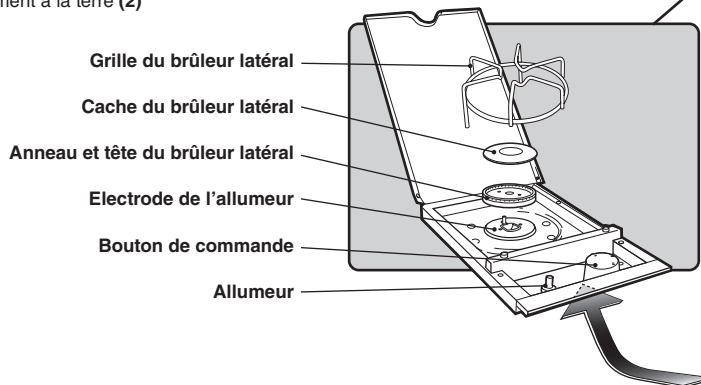
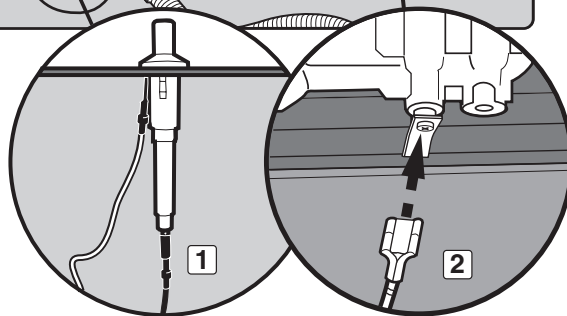
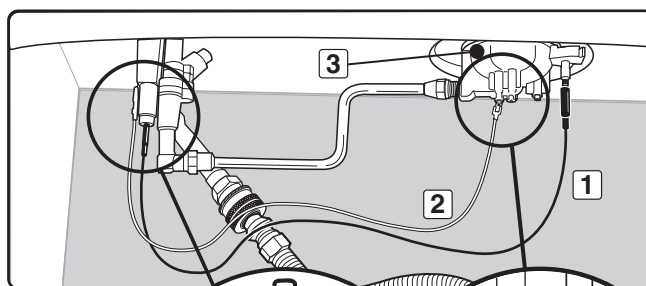
⚠ **MISE EN GARDE**: La totalité des commandes de gaz et des valves d'alimentation devraient être positionnées sur **ARRÊTÉ**.

Assurez-vous que le câble noir est branché entre l'allumeur et l'électrode.

Assurez-vous que le câble blanc est branché entre l'allumeur et la pince de raccordement à la terre.

L'étincelle devrait être blanche/bleue, pas jaune.

- A) Câble de l'allumeur (1)
- B) Câble de raccordement à la terre (2)
- C) Brûleur (3) ♦



## MAINTENANCE ANNUELLE

### Inspection et nettoyage de la grille anti-araignées/insectes

Pour inspecter les Grilles anti-araignées/insectes, retirez le panneau de commande. En cas de présence de poussière ou d'impuretés sur les grilles, retirez les brûleurs pour nettoyer les grilles.

Brossez légèrement les Grilles anti-araignées/insectes avec une brosse à poils souples (par exemple, une vieille brosse à dents).

**⚠ ATTENTION : Ne nettoyez pas les Grilles anti-araignées/insectes à l'aide d'ustensiles durs ou coupants. Ne délogez pas les Grilles anti araignées/insectes de leurs emplacements et n'élargissez pas les ouvertures des grilles.**

Tapotez légèrement le brûleur pour faire sortir les débris et les impuretés du tube du brûleur. Une fois que les Grilles anti-araignées/insectes sont propres, remettez les brûleurs en place.

Si la Grille anti-araignées/insectes se détériore ou ne peut pas être nettoyée, veuillez entrer en contact avec le Représentant du service clientèle le plus proche à l'aide des coordonnées à votre disposition sur notre site Internet.

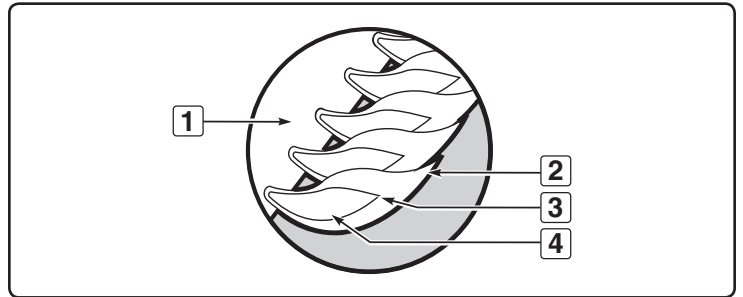
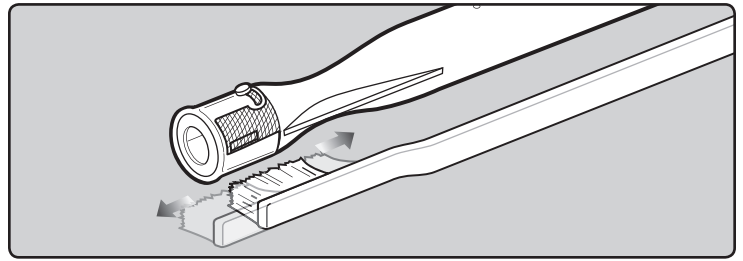
Connectez-vous sur [www.weber.com](http://www.weber.com).

### Aspect des flammes du brûleur

Les brûleurs du barbecue à gaz Weber® ont été paramétrés en usine pour recevoir le mélange d'air et de gaz correct. L'illustration montre l'aspect correct de la flamme.

- A) Tube du brûleur (1)
- B) Les extrémités flamboient de temps en temps en jaune (2)
- C) Bleu clair (3)
- D) Bleu foncé (4)

Si les flammes ne semblent pas uniformes tout au long du tube du brûleur, suivez les procédures de nettoyage du brûleur. ♦



**⚠ ATTENTION: This product has been safety tested and is only certified for use in a specific country. Refer to country designation located on outer carton.**

These parts may be gas carrying or gas burning components. Please contact Weber-Stephen Products Co., Customer Service Department for genuine Weber-Stephen Products Co. replacement part(s) information.

**⚠ WARNING: Do not attempt to make any repair to gas carrying, gas burning, igniter components or structural components without contacting Weber-Stephen Products Co., Customer Service Department. Your actions, if you fail to follow this Product Warning, may cause a fire, an explosion, or structural failure resulting in serious personal injury or death as well as damage to property.**

**⚠ ATENCIÓN: A este producto se le han realizado pruebas de seguridad y ha sido certificado para usarse en un país específico. Refiérase al país indicado en la parte externa del cartón de empaque.**

Estas partes pueden ser componentes que transporten gas o lo quemem. Por favor póngase en contacto con el Departamento de Atención al Cliente de Weber-Stephen Products Co. para obtener información sobre las partes de repuesto Weber-Stephen Products Co. genuinas.

**⚠ ADVERTENCIA: No trate de realizar reparación alguna a los componentes que transporten o quemem gas sin antes ponerse en contacto con el Departamento de Atención al Cliente de Weber-Stephen Products Co. Si no llegase a acatar esta advertencia, sus acciones podrían causar un fuego o una explosión que resulte en lesiones personales serias o la muerte o daños a la propiedad.**

**⚠ ATTENTION : Ce produit a fait l'objet de tests de sécurité et est certifié pour une utilisation dans un pays particulier uniquement. Vérifiez la désignation de pays située sur le carton d'emballage.**

Ces pièces peuvent contenir du gaz ou être des éléments dont la combustion produit du gaz. Veuillez consulter le Service clientèle de Weber-Stephen Products Co. pour des renseignements sur les pièces de rechange originales de Weber-Stephen Products Co.

**⚠ MISE EN GARDE : Ne tentez pas d'effectuer des réparations sur des éléments contenant du gaz ou sur des éléments dont la combustion produit du gaz sans contacter le service clientèle de Weber-Stephen Products Co. Si vous ne suivez pas la présente Mise en garde relative au produit, vos actions risquent de provoquer un incendie ou une explosion entraînant des blessures physiques graves voire un décès ainsi que des dégâts matériels.**



WEBER-STEPHEN PRODUCTS CO.

[www.weber.com](http://www.weber.com)<sup>®</sup>